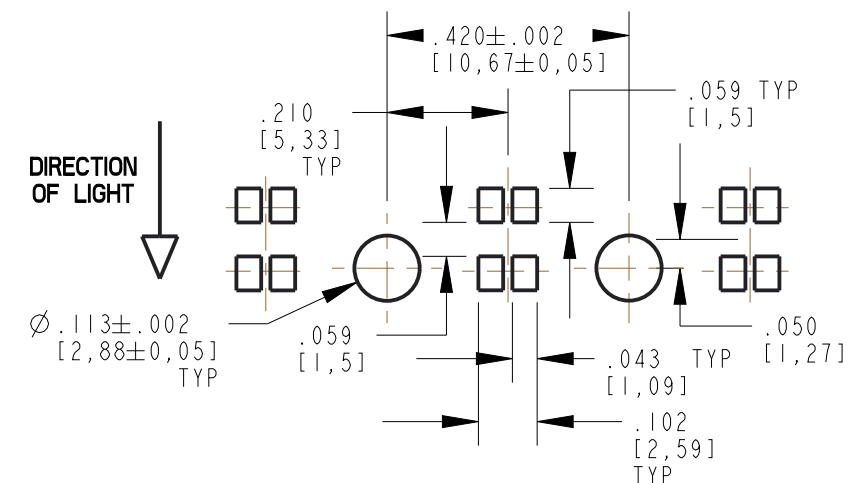
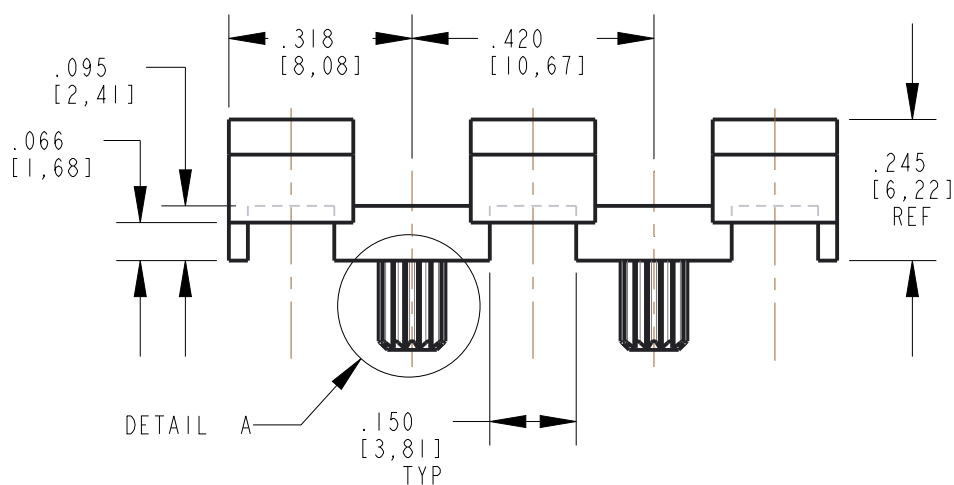
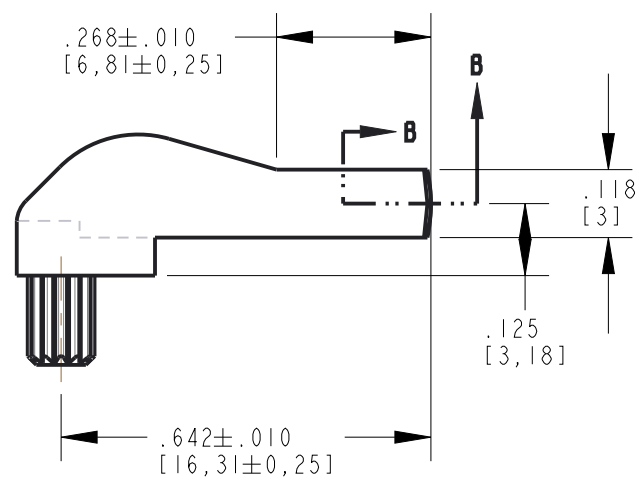
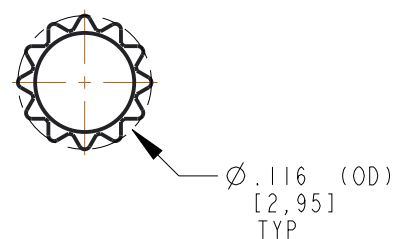
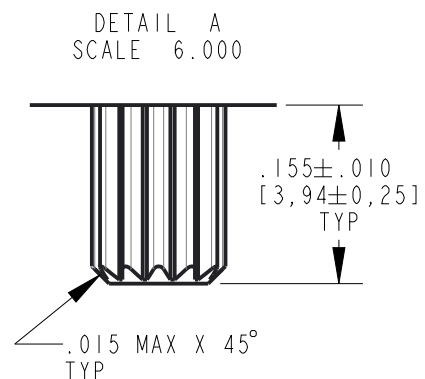
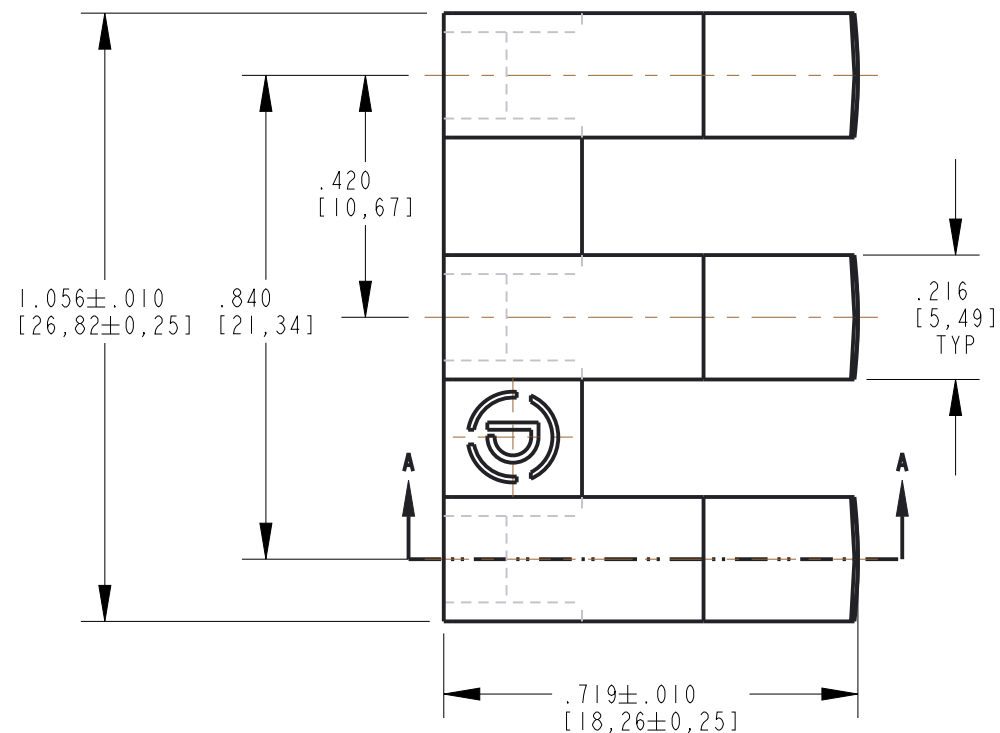


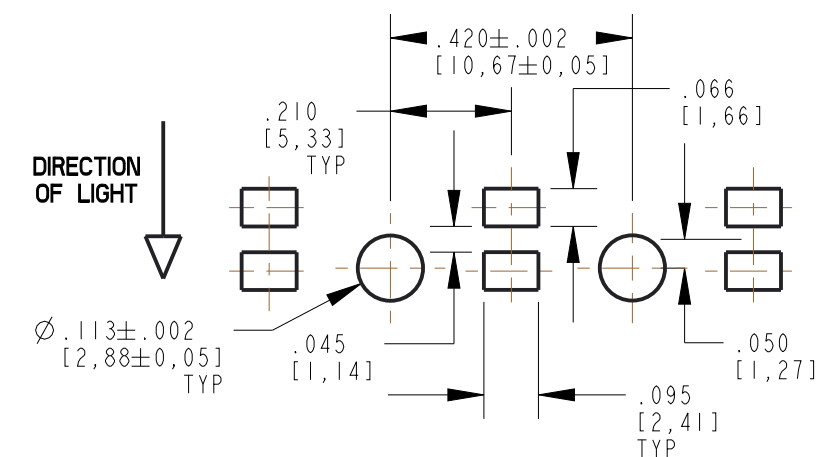
RoHS COMPLIANT 515-1000F

Part Numbers with the "F" suffix ending are RoHS Compliant. Packaging is marked with "RoHS Compliant" label or equivalent markings.

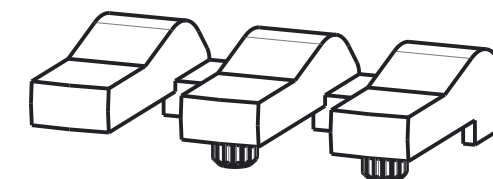
| REV | ECN NO | REVISIONS | DRN | CKD | APP | DATE |
|-----|--------|-------------|-----|-----|-----|--------|
| A | | NEW RELEASE | KLJ | | NO | 9-3-08 |



RECOMMENDED SOLDER PAD LAYOUT BI-COLOR



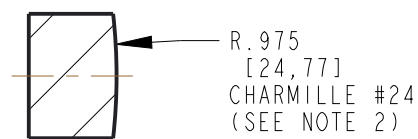
RECOMMENDED SOLDER PAD LAYOUT SINGLE COLOR



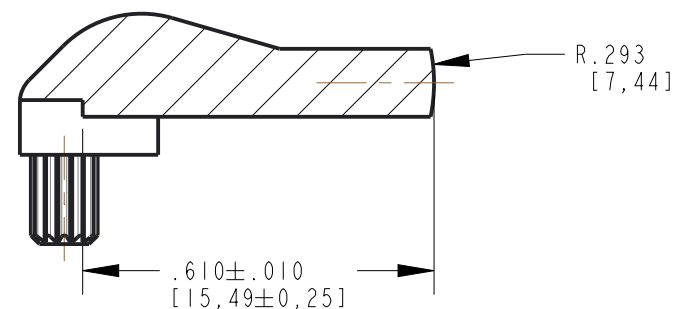
SCALE 2.000

NOTES:

- COMPONENTS TO BE MOLDED IN A CLEAR TRANSMISSIVE POLYCARBONATE (UL 94V-0 FLAMMABILITY CLASS).
- FINISH FOR THE FRONT CURVED AREA ONLY.
- COMPONENTS DESIGNED TO BE PRESSED INTO P.C. BOARD.
- RECOMMENDED LIGHT SOURCES: SINGLE OR BI-COLOR SMT LEDs (DIALIGHT P/N'S: 597-3XX1-20XF, 597-3XX1-50XF, 597-77X1-20XF, 597-77X1-50XF)
- DIALIGHT PART NUMBER: 515-1000F



SECTION B-B



SECTION A-A

| | | |
|---|---|-----|
| THIS DRAWING AND THE CONTENTS HEREIN ARE CONFIDENTIAL AND THE SOLE PROPERTY OF DIALIGHT CORP. REPRODUCTION OF THIS DRAWING OR CONSTRUCTION OF ANY PARTS WITHIN THIS DRAWING ARE FORBIDDEN WITHOUT THE WRITTEN CONSENT OF DIALIGHT CORP. | | |
| SCALE: 3.000 | DRAWING NUMBER | REV |
| ALL DIM'S: INCH (mm) | C-17648 | A |
| TOLERANCES: UNLESS OTHERWISE SPECIFIED | TITLE | |
| FRACTIONS: ±1/64 | 3-ELEMENT LIGHTPIPE | |
| DECIMALS (.XX): ±.01 | RoHS COMPLIANT | |
| DECIMALS (.XXX): ±.005 | MATERIAL | |
| ANGLES: ±3° | Dialight | |
| FINISH | 1501 ROUTE 34 SOUTH FARMINGDALE, NJ 07727 (732) 919-3119 www.dialight.com | |
| SEE NOTES | SHEET 1 OF 1 FAMILY TABLE: | |
| FSCM 83330 | | |