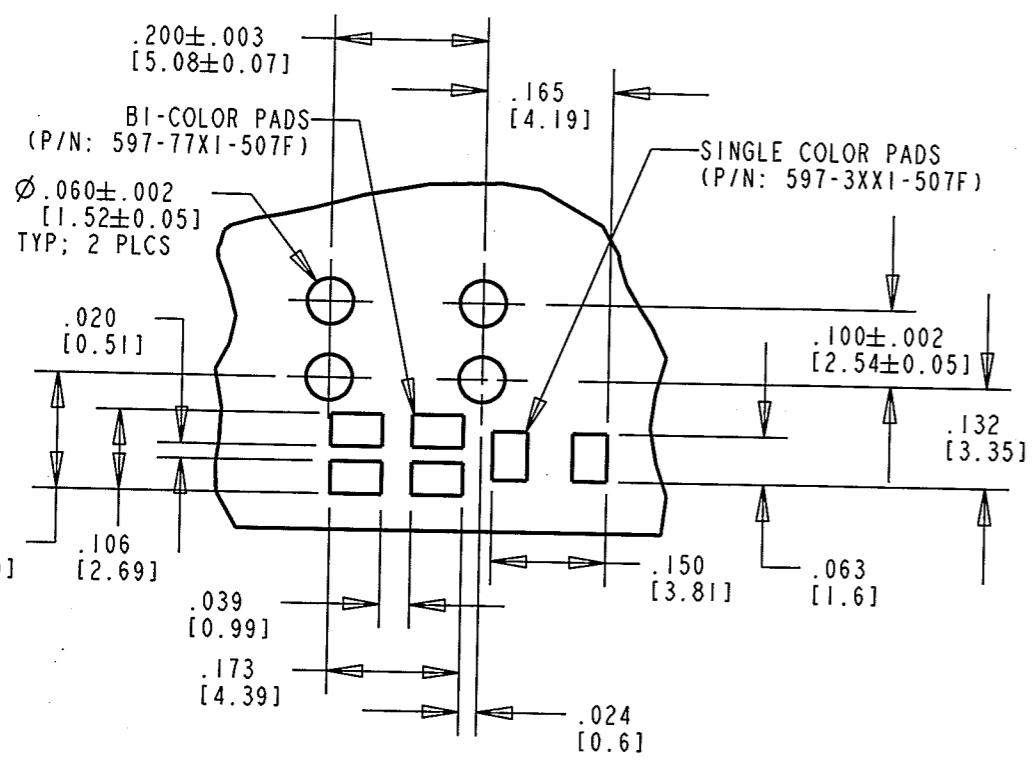
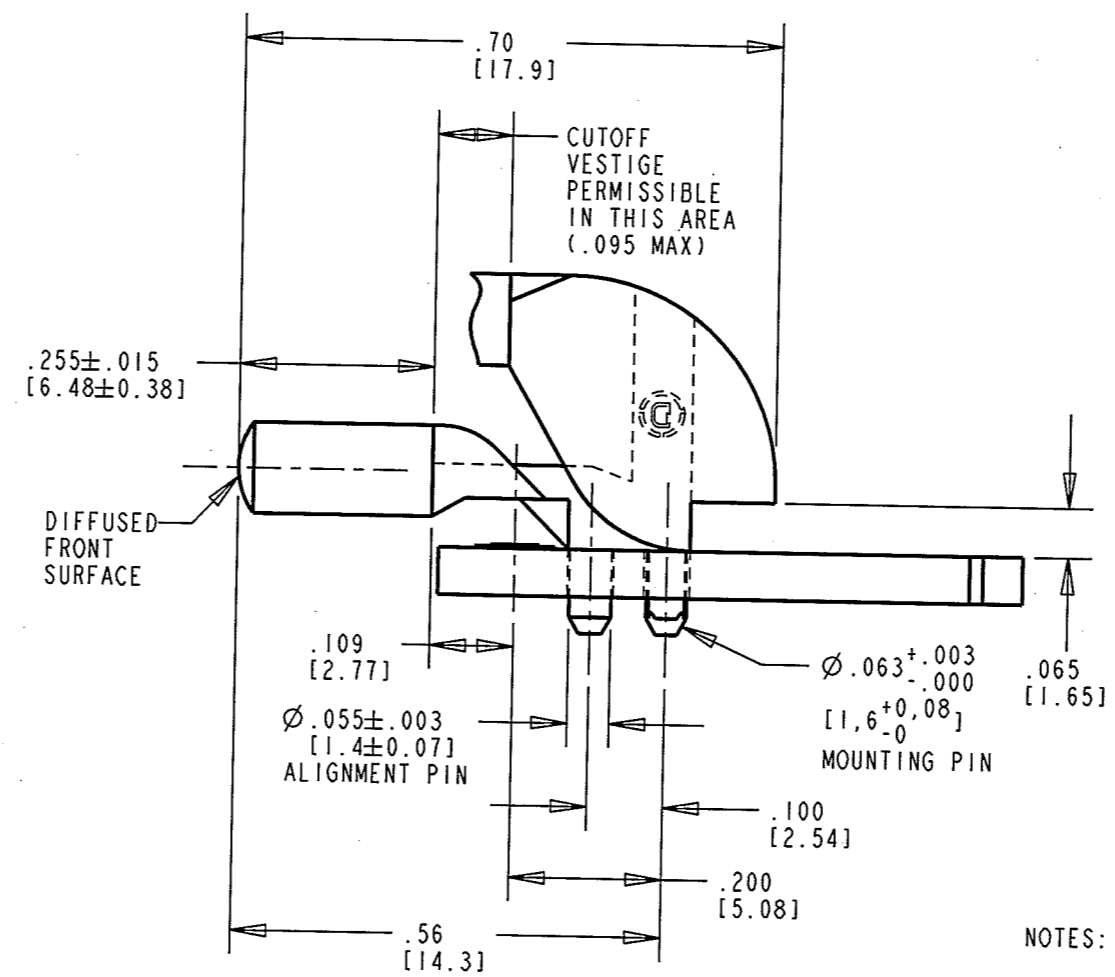
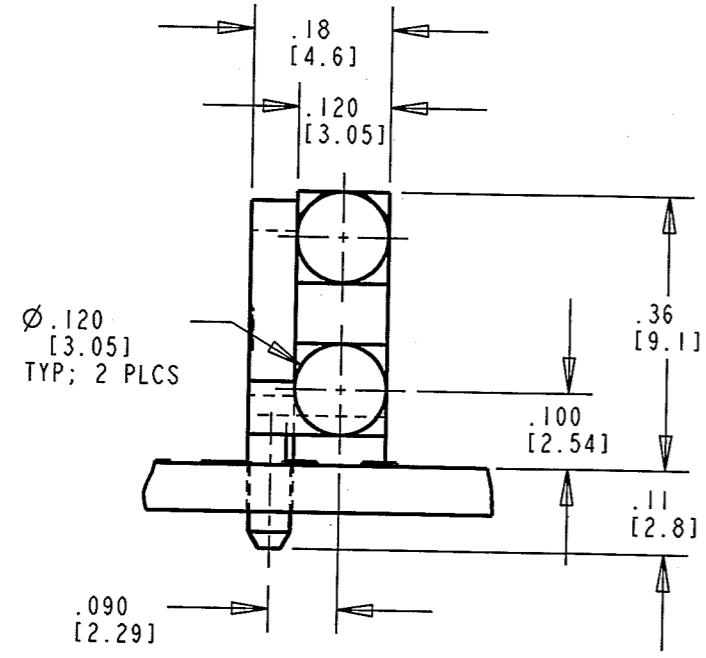
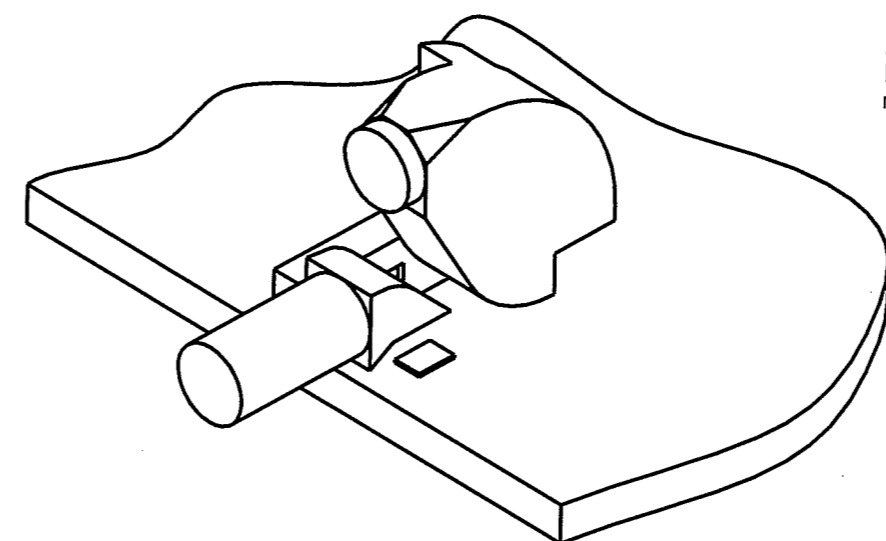


REV	ECN NO	REVISIONS	DRN	CKD	APP	DATE
A		NEW RELEASE	KLJ	N.B.	[Signature]	11/19/09



SOLDER PAD/HOLES LAYOUT



NOTES:

- COMPONENTS TO BE MOLDED IN A CLEAR TRANSMISSIVE POLYCARBONATE (UL 94V-0 FLAMMABILITY).
- MINIMUM ALLOWABLE PITCH IS .200 FOR EITHER BI-COLOR OR SINGLE.
- COMPONENTS DESIGNED TO BE PRESSED INTO P.C. BOARD.
- OPERATING/STORAGE TEMPERATURE: -30°C TO +100°C
- RECOMMENDED LIGHT SOURCES: SINGLE OR BI-COLOR SMT. LEDS (DIALIGHT P/N'S: 597-3XX1-50XF, 597-77X1-50XF)
- DIALIGHT PART NUMBER: 515-1094-801F

RoHS COMPLIANT 515-1094-801F

Part Numbers with the "F" suffix ending are RoHS Compliant. Packaging is marked with "RoHS Compliant" label or equivalent markings.

THIS DRAWING AND THE CONTENTS HEREIN ARE CONFIDENTIAL AND THE SOLE PROPERTY OF DIALIGHT. REPRODUCTION OF THIS DRAWING OR CONSTRUCTION OF ANY PARTS WITHIN THIS DRAWING ARE FORBIDDEN WITHOUT THE WRITTEN CONSENT OF DIALIGHT.		
SCALE: DRAWING SCALE ALL DIM'S IN: INCHES (MM)	DRAWING NUMBER C-17698	REV A
TOLERANCES: UNLESS OTHERWISE SPECIFIED FRACTIONS: ±1/64 DECIMALS (.XX): ±.01 DECIMALS (.XXX): ±.005	TITLE BI-LEVEL LIGHT PIPE (EXTENDED) RoHS COMPLIANT	
ANGLES: ±3° FINISH:	MATERIAL	
FSCM 83330	Dialight 1501 ROUTE 34 SOUTH FARMINGDALE, NJ 07727	
	SHEET 1 OF 1 FAMILY TABLE:	