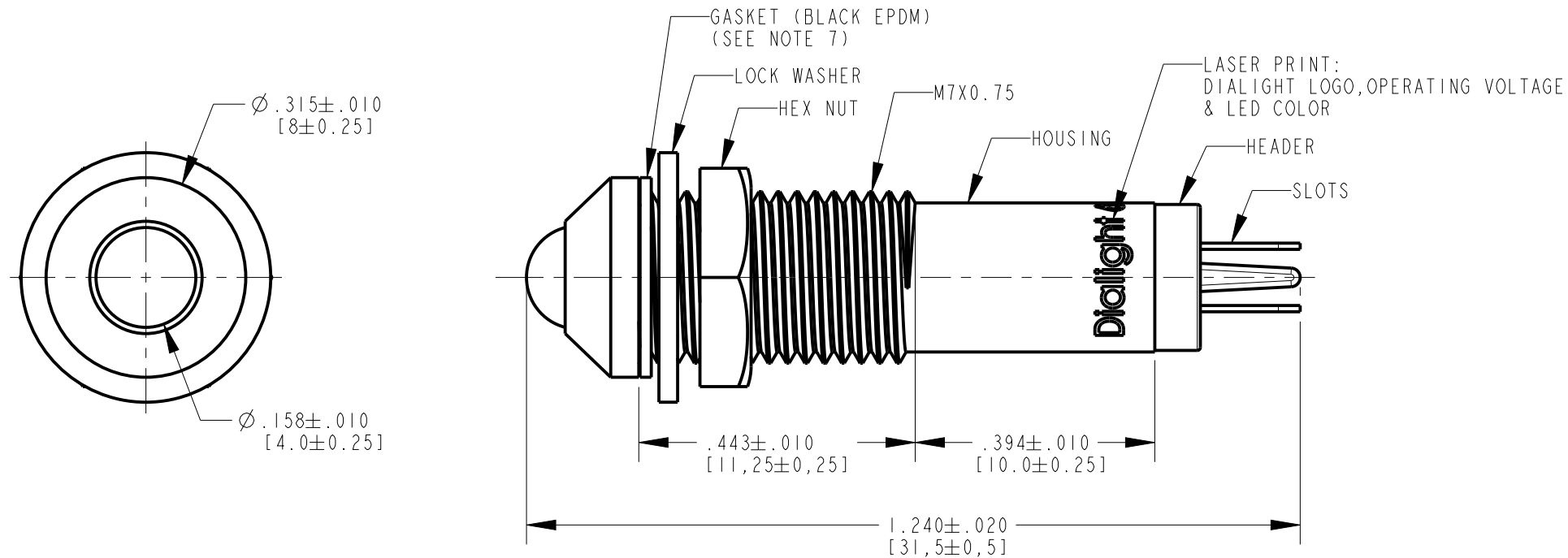


ASSEMBLY NUMBER	PROCUREMENT NUMBER	OPERATING VOLTAGE	LED COLOR	WATER TIGHT
607-1112-120F	9900-607-1112-12	6V	RED	NO
607-1212-120F	9900-607-1212-12	6V	GREEN	NO
607-1312-120F	9900-607-1312-12	6V	YELLOW	NO
607-1112-130F	9900-607-1112-13	12V	RED	NO
607-1212-130F	9900-607-1212-13	12V	GREEN	NO
607-1312-130F	9900-607-1312-13	12V	YELLOW	NO
607-1112-320F	9900-607-1112-12	6V	RED	YES
607-1212-320F	9900-607-1212-12	6V	GREEN	YES
607-1312-320F	9900-607-1312-12	6V	YELLOW	YES
607-1112-330F	9900-607-1112-13	12V	RED	YES
607-1212-330F	9900-607-1212-13	12V	GREEN	YES
607-1312-330F	9900-607-1312-13	12V	YELLOW	YES

RoHS COMPLIANT 607-1X12-1X0F & 607-1X12-3X0F

Part Numbers with the "F" suffix ending are RoHS Compliant. Packaging is marked with "RoHS Compliant" label or equivalent markings. Parts can be wave soldered, dip soldered or hand soldered using typical lead-free soldering process with max 260°C temp. for 5 sec.

REV	ECN NO	REVISIONS	DRN	CKD	APP	DATE
A	---	NEW RELEASE	AJF	KLJ	NO	7-29-09
B	113759	REDRAWN TO REFLECT ACTUAL PRODUCT, REVISE LED SPECS.	JSG	JY	JV	12JAN24



NOTES:

1. MOUNTING HOLE SIZE: \varnothing 0.287" [7.3mm]
2. PANEL THICKNESS: 0.265" [6.75mm]
3. MATERIALS:
 - 3.1 METAL HOUSING: BRASS, BRIGHT CHROME PLATED.
 - 3.2 MOUNTING HEX NUT: BRASS, NICKEL PLATED.
 - 3.3 SPLIT LOCK WASHER: STEEL, NICKEL PLATED.
 - 3.4 HEADER/INSULATOR: POLYCARBONATE, COLOR: BLACK.
4. SOLDERABILITY: PER ANSI/IPC-S-805, METHOD A.
5. DIALIGHT PART NO. 607-1X12-1X0F & 607-1X12-3X0F (SEE CHART ABOVE)
6. RECOMMENDED MOUNTING TORQUE: 0.362 LBS/FT.
7. GASKET ONLY AVAILABLE ON DIALIGHT PART NO. 607-1X12-3X0F. (SEE CHART ABOVE)
8. PRODUCT IS NON-POLARIZED.



ATTENTION:
OBSERVE PRECAUTIONS FOR
HANDLING ELECTROSTATIC
SENSITIVE DEVICES

LED CHARACTERISTICS TABLE

LED COLOR	ABSOLUTE MAXIMUM RATINGS					(IF = 20mA) ELECTRO-OPTICAL CHARACTERISTICS				
	FORWARD CURRENT IF(mA)	REVERSE VOLTAGE VR(V)	POWER DISSIPATION PD(mW)	OPERATING TEMPERATURE Topr	STORAGE TEMPERATURE Tstg	FORWARD VOLTAGE VF(V)	REVERSE CURRENT IR(uA)	LUMINOUS INTENSITY Iv(mcd)	WAVE LENGTH (nm)	ANGLE (REF.)
RED	20	5	110	-40C to +85C	-40C to +85C	2.2	5	500	623	120
GREEN	20	5	110	-40C to +85C	-40C to +85C	3.2	5	1150	517	120
YELLOW	20	5	70	-25C to +85C	-25C to +85C	2.1	5	500	593	120

THIS DRAWING AND THE CONTENTS HEREIN ARE CONFIDENTIAL AND THE SOLE PROPERTY OF DIALIGHT CORP. REPRODUCTION OF THIS DRAWING OR CONSTRUCTION OF ANY PARTS WITHIN THIS DRAWING ARE FORBIDDEN WITHOUT THE WRITTEN CONSENT OF DIALIGHT CORP.		
DIALIGHT CORP. INTERNAL REFERENCE ONLY = 3D MODEL : 99006071X123X-A.6		
SCALE: 2.000	DRAWING NUMBER	REV
ALL DIM'S: INCH (mm)	C-17746	B
TOLERANCES: UNLESS OTHERWISE SPECIFIED	TITLE	
FRACTIONS: ±1/64	7mm LED PMI	
DECIMALS (.XX): ±.01	MATERIAL	
DECIMALS (.XXX): ±.005		
DECIMALS (.XXXX): ±.0005		
ANGLES: ±1°		
FINISH		
FSCM 83330	 1501 ROUTE 34 SOUTH FARMINGDALE, NJ 07727 (732) 919-3119 www.dialight.com	
SHEET 1 OF 1		FAMILY TABLE: