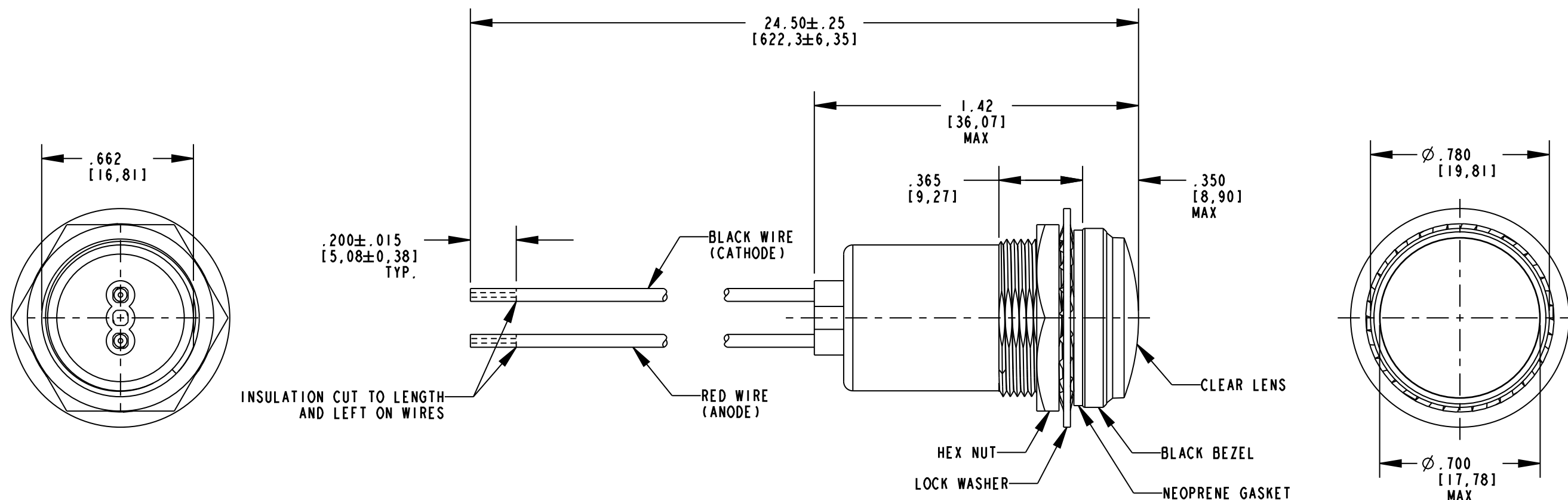


DIALIGHT PART NUMBER	COLOR	VOLTAGE (VDC)	CURRENT (mA) MAX
557-1002-804F	WHITE	5	25

RoHS COMPLIANT 557-1002-804F

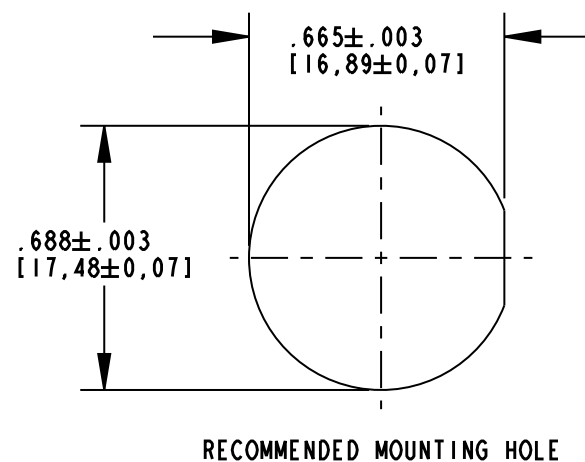
Part Numbers with the "F" suffix ending are RoHS Compliant.
Packaging is marked with "RoHS Compliant" label or equivalent markings.

REV	ECN NO	REVISIONS	DRN	CKD	APP	DATE
A	—	NEW RELEASE	AJF	KLJ	CJC	8-16-10
B	—	1.42 MAX WAS "1.53 MAX"; ADDED 24.25±.25 DIM.	AJF	ALV	CJC	8-17-10
C	—	24.50±.25 WAS "24.25±.25"; STRIPPED LENGTH WAS ".500±.015" & INSULATION WAS REMOVED.	AJF	KLJ	CJC	9-24-10



NOTES:

- HOUSING MATERIAL: WHITE POLYCARBONATE (UL 94 V-0 RATING).
- LENS MATERIAL: CLEAR POLYCARBONATE (UL 94 V-0 RATING).
- WIRE: 24 AWG TYPE C MIL-W-16878D, UL STYLE 1569 RATED 105°C 300V; CSA TR-64 RATED 90°C 300V; PVC INSULATION.
- WATERTIGHT SEAL FROM FRONT OF PANEL MEETS MIL-L-3661 B. MAXIMUM MOUNTING TORQUE: 15 in-lbs.
- MAXIMUM PANEL THICKNESS: $.156$ [3.96].
- DIALIGHT PART NUMBER: 557-1002-804F.
- OPERATING TEMPERATURE: -30°C TO +80°C.
- STORAGE TEMPERATURE: -40°C TO +85°C.



THIS DRAWING AND THE CONTENTS HEREIN ARE CONFIDENTIAL AND THE SOLE PROPERTY OF DIALIGHT. REPRODUCTION OF THIS DRAWING OR CONSTRUCTION OF ANY PARTS WITHIN THIS DRAWING ARE FORBIDDEN WITHOUT THE WRITTEN CONSENT OF DIALIGHT.

SCALE: 2.000	DRAWING NUMBER	REV
ALL DIM'S IN: INCHES (MM)	C-17859	C
TOLERANCES: UNLESS OTHERWISE SPECIFIED	TITLE LED PMI, 5V, WHITE	
FRACTIONS: $\pm 1/64$	MATERIAL	
DECIMALS (.XX): $\pm .02$	Dialight	
DECIMALS (.XXX): $\pm .015$	1501 ROUTE 34 SOUTH FARMINGDALE, NJ 07727	
ANGLES: $\pm 1^\circ$	FSCM 83330	
FINISH:	SHEET 1 OF 1 FAMILY TABLE:	