

DIALIGHT PART NUMBER	LED COLOR	DIM A	DIM B
551-0212-801F	GREEN, TINTED DIFFUSED	.018 x .016 [0.46 x 0.41]	.040±0.002 [1.02±0.05]
551-0312-802F	YELLOW, TINTED DIFFUSED	.018 x .016 [0.46 x 0.41]	.040±0.002 [1.02±0.05]
551-0412-803F	RED, TINTED DIFFUSED	.018 x .016 [0.46 x 0.41]	.040±0.002 [1.02±0.05]

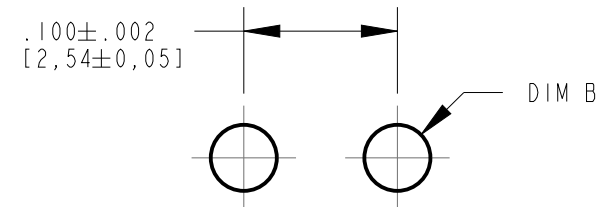
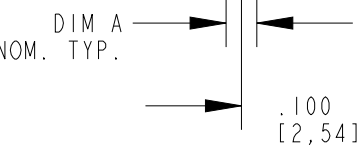
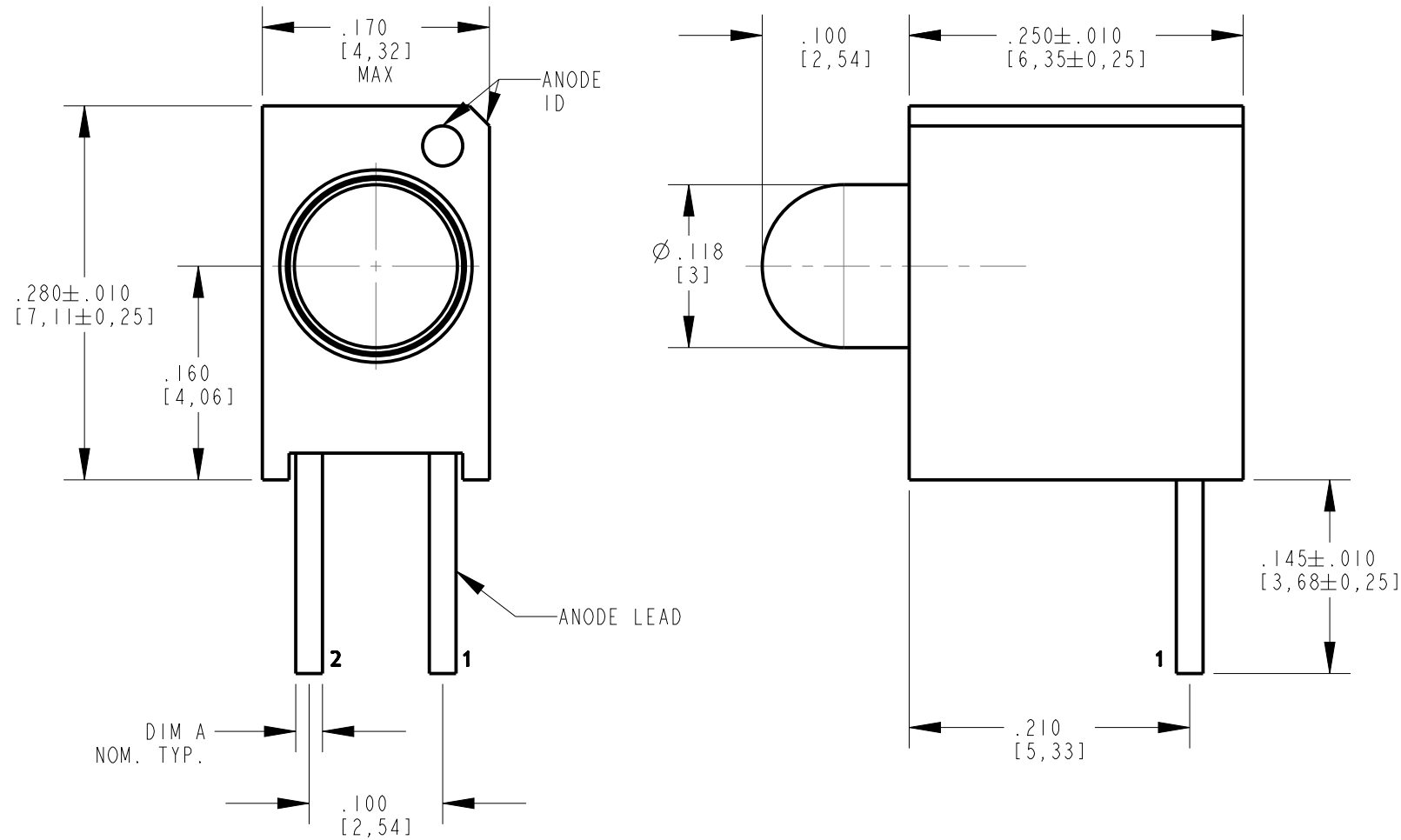
REV	ECN NO	REVISIONS	DRN	CKD	APP	DATE
A	—	NEW RELEASE	AJF	SM	NO	8-3-11
B	—	UPDATED LED PROTRUSION TO 0.1 WAS 0.110. UPDATED LED DIAMETER TO 0.118 WAS 0.122. ALSO UPDATED LED SPECS, DIM A & DIM B	BP	—	NO	8-22-16

OPERATING CHARACTERISTICS AT 25°C AMBIENT						
LED CHARACTERISTICS	LED COLOR	MIN.	TYP.	MAX.	UNITS	TEST CONDITIONS
LUMINOUS INTENSITY	GREEN	5.6	12.6	29	mcd	I _F = 10 mA
	YELLOW	3.7	8.7	30		
	RED	2.5	8.7	18		
DOMINANT WAVELENGTH	GREEN	564	568	573	nm	
	YELLOW	584	590	595		
	RED	615	625	632		
PEAK WAVELENGTH	GREEN	—	565	—	nm	
	YELLOW	—	585	—		
FORWARD VOLTAGE	GREEN	1.5	2.1	2.6	V	I _F = 10 mA
	YELLOW	—	2.1	2.6		
	RED	—	2.0	2.6		
REVERSE CURRENT	GREEN	—	—	100	μA	V _R = 5 V
	YELLOW	—	—	100		
	RED	—	—	100		
VIEWING ANGLE	ALL	—	60	—	DEGREE	

ABSOLUTE MAXIMUM RATINGS AT 25°C AMBIENT				
	GREEN	YELLOW	RED	UNITS
POWER DISSIPATION	120	60	100	mW
PEAK FORWARD CURRENT (1/10 DUTY CYCLE, 0.1ms PULSE WIDTH)	90	60	90	mA
CONTINUOUS FORWARD CURRENT	30	20	30	mA
LINEAR DERATING FROM 50°C	0.4	0.25	0.4	mA/°C
REVERSE VOLTAGE	5	5	5	V
LEAD SOLDERING TEMPERATURE (.063" [1.6mm] FROM BODY) FOR 5 SEC.	260			°C
OPERATING TEMPERATURE	-55 TO +100			°C
STORAGE TEMPERATURE	-55 TO +100			°C

NOTES:

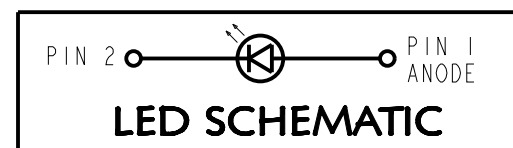
- LED LEAD DIMENSIONS SHOWN ARE MEASURED AT HOUSING EXIT.
- LEADS TO FIT INTO HOLES SPACED AS PER PATTERN.
- PIN NUMBERS FOR REFERENCE ONLY, DESIGNATION NON-EXISTENT ON PART.
- DIALIGHT PART NUMBERS: 551-0X12-80XF.
- THIS ASSEMBLY CONTAINS ELECTROSTATIC DISCHARGE SENSITIVE DEVICES (ESDS). MAINTAIN ALL PRECAUTIONARY MEASURES DURING ASSEMBLY, HANDLING, AND STORAGE IN ACCORDANCE WITH IPC-A-610.



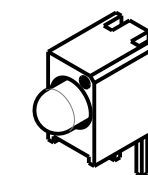
RECOMMENDED HOLE PATTERN GAUGE

RoHS COMPLIANT 551-0X12-80XF

Part Numbers with the "F" suffix ending are RoHS Compliant. For example: 551-0212-801F
Packaging is marked with "RoHS Compliant" label or equivalent markings. Parts can be wave soldered, dip soldered or hand soldered using typical lead-free soldering process with max 260°C temp. for 5 sec.



ATTENTION:
OBSERVE PRECAUTIONS FOR
HANDLING ELECTROSTATIC
SENSITIVE DEVICES



SCALE 2.000

THIS DRAWING AND THE CONTENTS HEREIN ARE CONFIDENTIAL AND THE SOLE PROPERTY OF DIALIGHT. REPRODUCTION OF THIS DRAWING OR CONSTRUCTION OF ANY PARTS WITHIN THIS DRAWING ARE FORBIDDEN WITHOUT THE WRITTEN CONSENT OF DIALIGHT.		
SCALE: 8.000 ALL DIM'S IN: INCHES (MM)	DRAWING NUMBER C-17879	REV B
TOLERANCES: UNLESS OTHERWISE SPECIFIED FRACTIONS: ±1/64 DECIMALS (.XX): ±.02 DECIMALS (.XXX): ±.015	TITLE ∅3mm CBI W/ .160" ⊥ REVERSE POLARITY	
ANGLES: ±1° FINISH:	MATERIAL	
FSCM 83330	1501 ROUTE 34 SOUTH FARMINGDALE, NJ 07727	
SHEET 1 OF 1	FAMILY TABLE:	