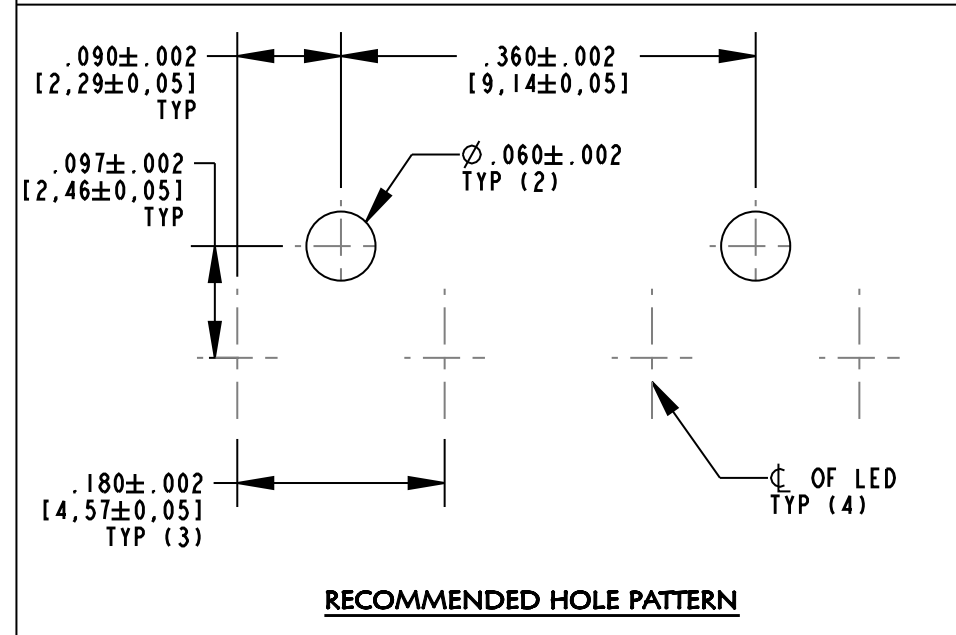
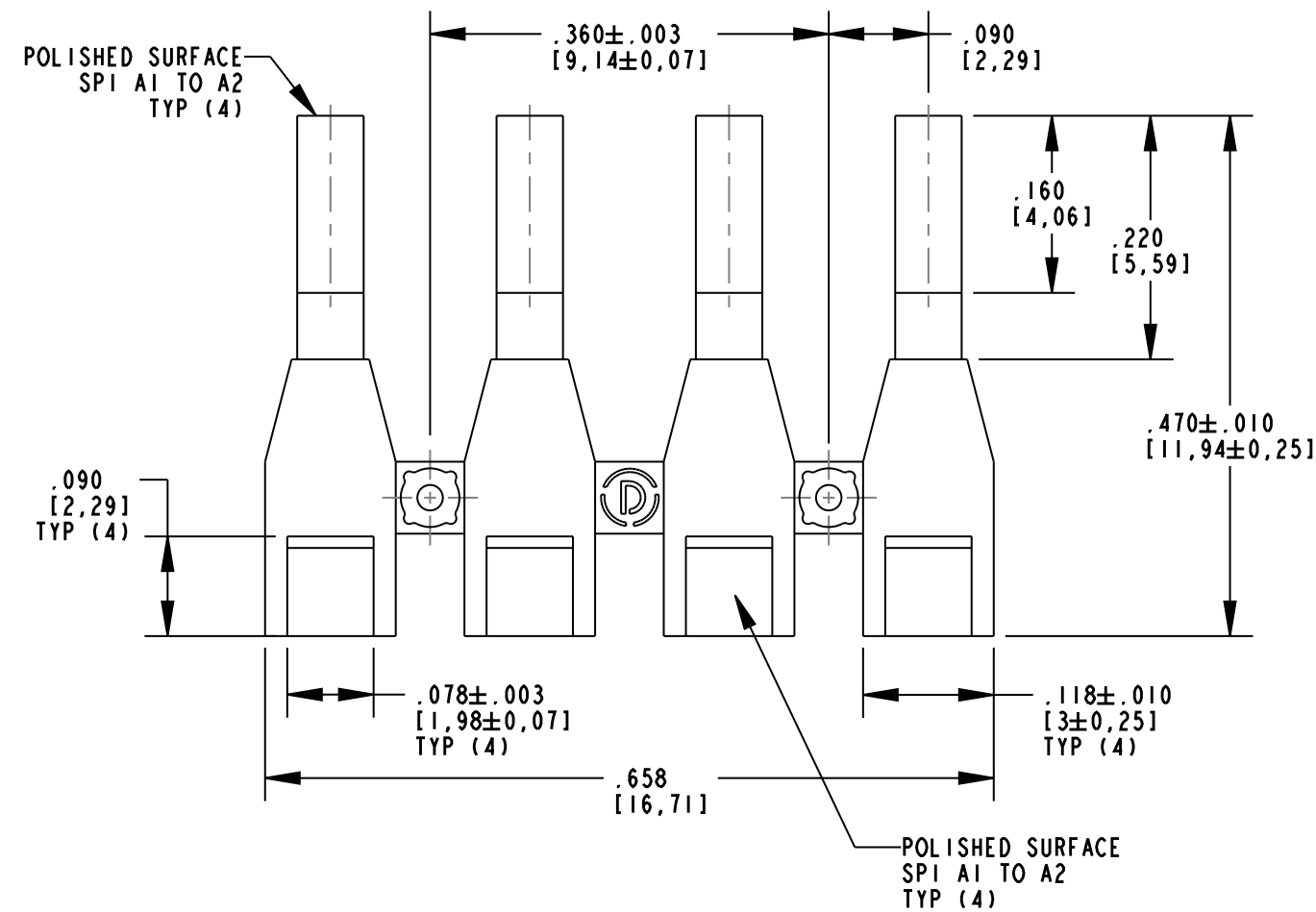
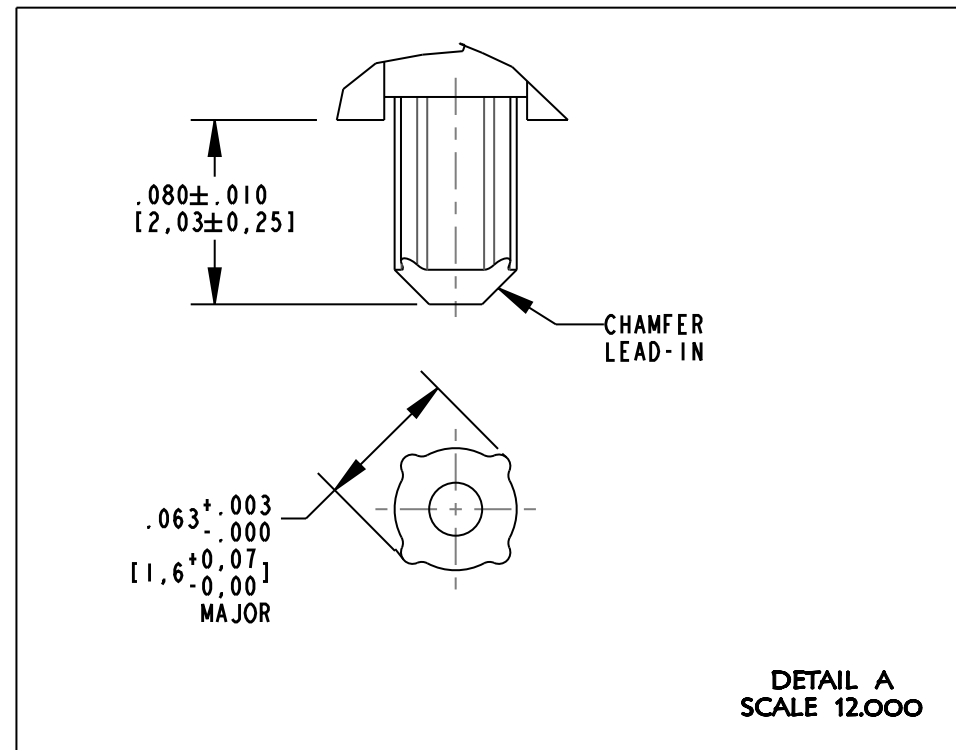
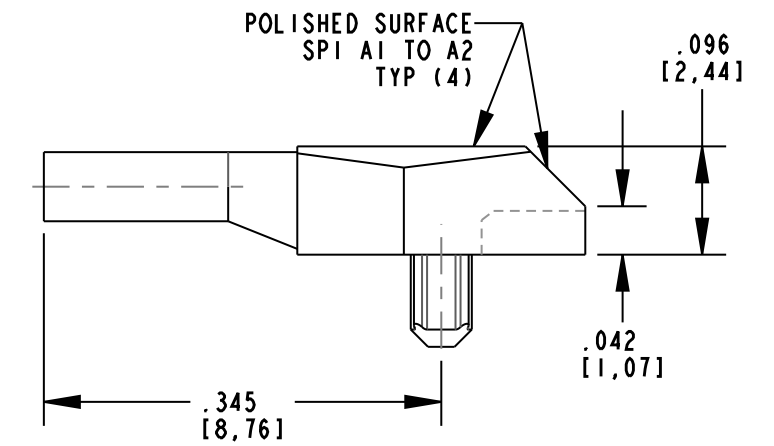
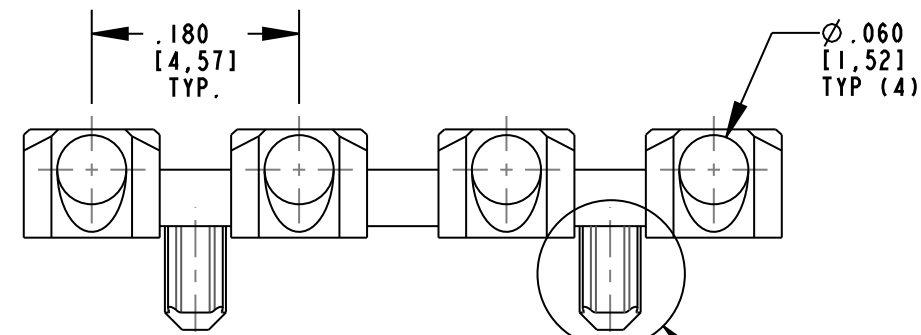


REV	ECN NO	REVISIONS	DRN	CKD	APP	DATE
A		NEW RELEASE	AJF	KLJ	NO	4-22-11

**RoHS COMPLIANT 515-1167-801F**

Part Numbers with the "F" suffix ending are RoHS Compliant. Packaging is marked with "RoHS Compliant" label or equivalent markings.



**NOTES:**

1. DIALIGHT PART NUMBER 515-1167-801F
2. COMPONENTS DESIGNED TO BE PRESSED INTO PC BOARD.
3. UNLESS OTHERWISE SPECIFIED, SURFACES TO HAVE A FINISH OF SPI A2 TO A3.
4. MATERIAL TO BE CLEAR, TRANSMISSIVE POLYCARBONATE (UL 94V-0 FLAMMABILITY).
5. STORAGE AND OPERATING TEMPERATURE -30 TO +100°C.

THIS DRAWING AND THE CONTENTS HEREIN ARE CONFIDENTIAL AND THE SOLE PROPERTY OF DIALIGHT. REPRODUCTION OF THIS DRAWING OR CONSTRUCTION OF ANY PARTS WITHIN THIS DRAWING ARE FORBIDDEN WITHOUT THE WRITTEN CONSENT OF DIALIGHT.

SCALE: 6.000 ALL DIM'S IN: INCHES (MM)	DRAWING NUMBER C-17914	REV A
TOLERANCES: UNLESS OTHERWISE SPECIFIED FRACTIONS: ±1/64 DECIMALS (.XX): ±.02 DECIMALS (.XXX): ±.015	TITLE 4 ELEMENT LIGHTPIPE	MATERIAL SEE NOTES
ANGLES: ±3° FINISH: -		
FSCM 83330	1501 ROUTE 34 SOUTH FARMINGDALE, NJ 07727	
SHEET 1 OF 1		FAMILY TABLE: