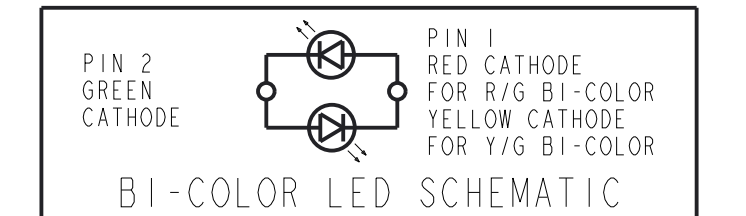
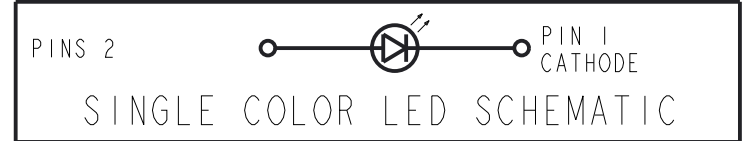
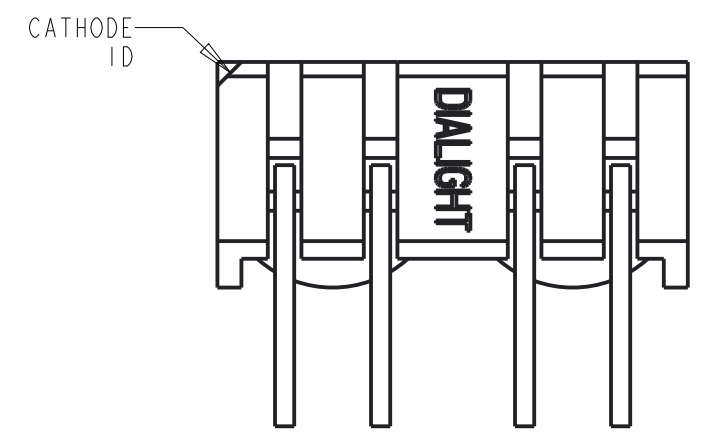
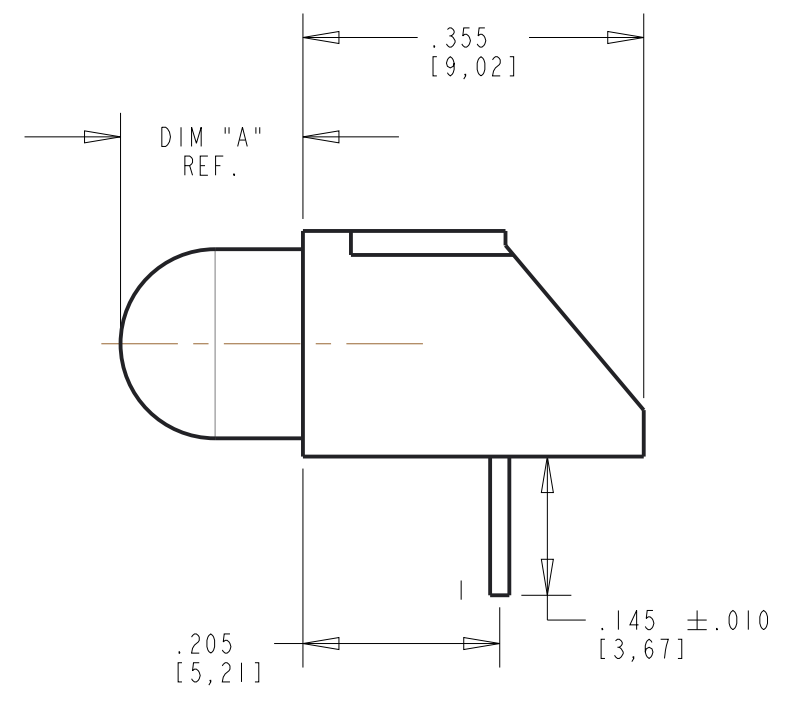
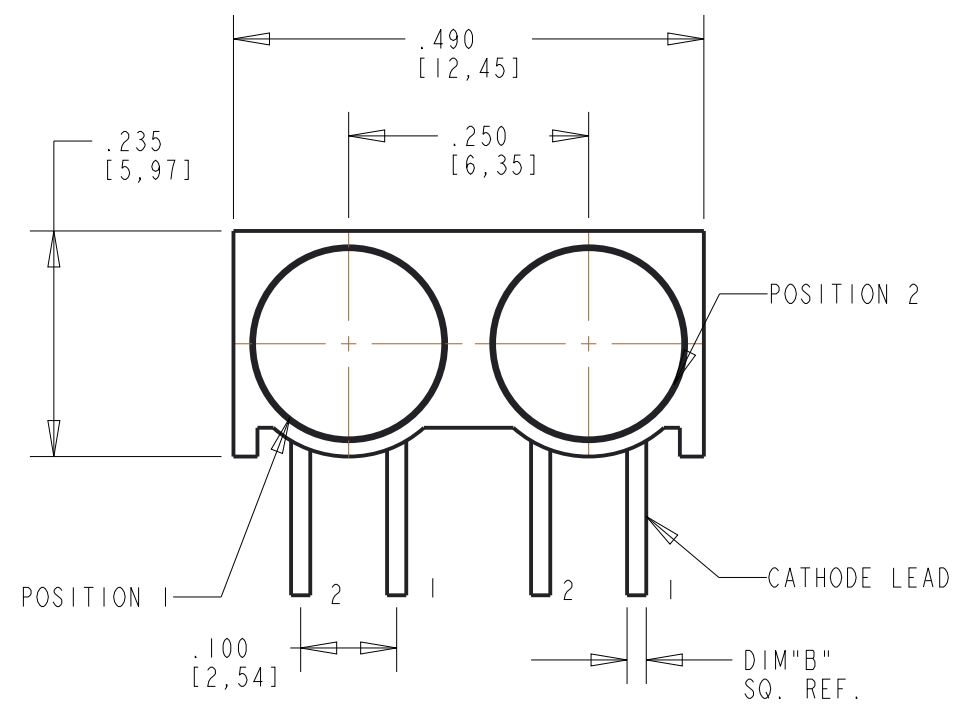


| DIALIGHT PART NUMBER | LED COLOR | DIM "A" | DIM "B" | DIM "C" | OPERATING CHARACTERISTICS AT 25°C AMBIENT | | | | | | | | ABSOLUTE MAXIMUM RATINGS AT 25°C AMBIENT | | | | | | | | |
|----------------------|--------------------------------------|---------|---------|---------|---|-------------------|--------------------------|-------|-----|----------------------|-----|---------------------|--|----------------------|------------|--------------------|------------------------|---------------------------------|---------------------------|----------------------------|--------------------------|
| | | | | | PEAK WAVELENGTH (nm) | VIEWING ANGLE (°) | LUMINOUS INTENSITY (mcd) | | | FORWARD CURRENT (mA) | | FORWARD VOLTAGE (V) | | REVERSE CURRENT (mA) | TEST COND. | POWER DISSIP. (mW) | DC FORWARD VOLTAGE (V) | CONTINUOUS FORWARD CURRENT (mA) | PEAK FORWARD CURRENT (mA) | OPERATING TEMPERATURE (°C) | STORAGE TEMPERATURE (°C) |
| | | | | | | | MIN | TYP | MAX | TYP | MAX | TYP | MAX | MAX | | | | | | | |
| 550-0207-002F | GREEN DIFF. | .135 | .020 | .043 | 565 | 60 | 12.6 | 40 | | | | | | | | | | | | | |
| 550-0307-002F | YELLOW DIFF. | .135 | .020 | .043 | 585 | 60 | 3.7 | 12.6 | | | | | | | | | | | | | |
| 550-0407-002F | RED DIFF. | .135 | .020 | .043 | 635 | 60 | 19 | 60 | | | | | | | | | | | | | |
| 550-0507-002F | RED DIFF. 5 VOLT | .197 | .025 | .050 | 635 | 60 | 2.1 | | 10 | 15 | | | | | | | | | | | |
| 550-0707-002F | GREEN DIFF. 5 VOLT | .197 | .025 | .050 | 565 | 60 | | 1.8 | 10 | 15 | | | | | | | | | | | |
| 550-0807-002F | YELLOW DIFF. 5 VOLT ** | .197 | .025 | .050 | 583 | 60 | 2.0 | 8.0 | 10 | 15 | | | | | | | | | | | |
| 550-1107-002F | RED TINTED DIFF. 2mA ** | .197 | .018 | .040 | 635 | 50 | 1.5 | 2.3 | | | | | | | | | | | | | |
| 550-1207-002F | YELLOW TINTED DIFF. 2mA ** | .197 | .018 | .040 | 583 | 50 | 1.2 | 1.8 | | | | | | | | | | | | | |
| 550-1307-002F | GREEN TINTED DIFF. 2mA | .197 | .018 | .040 | 565 | 50 | 1.2 | 1.8 | | | | | | | | | | | | | |
| 550-2207-002F | GREEN DIFF. | .190 | .020 | .043 | 563 | 65 | 3.6 | 10.0 | | | | | | | | | | | | | |
| 550-2307-002F | YELLOW DIFF. ** | .190 | .020 | .043 | 585 | 50 | 19 | 40 | 100 | 20 | | | | | | | | | | | |
| 550-2407-002F | RED DIFF. | .190 | .020 | .043 | 650 | 50 | 2.2 | 6.3 | | | | | | | | | | | | | |
| 550-2507-002F | ORANGE DIFF. ** | .197 | .018 | .040 | 600 | 60 | 4.0 | 7.0 | | | | | | | | | | | | | |
| 550-3007-002F | RED/GREEN BI-COLOR ** | .190 | .020 | .043 | 660/565 | 60 | 29/12.6 | 90/40 | | | | | | | | | | | | | |
| 550-3107-002F | YELLOW/GREEN BI-COLOR, WHITE DIFF ** | .190 | .020 | .043 | 585/565 | 50 | 2.5/2.58 | 7/8.7 | | | | | | | | | | | | | |
| 550-5107-002F | RED DIFF. ** | .190 | .020 | .043 | 635 | 50 | 19 | 40 | 90 | 20 | | | | | | | | | | | |
| 550-5207-002F | GREEN TINTED DIFF. ** | .190 | .020 | .043 | 569 | 50 | 19 | 40 | 90 | 20 | | | | | | | | | | | |
| 550-5307-002F | OBsolete, USE 550-2307-002F | | | | | | | | | | | | | | | | | | | | |
| 550-5407-002F | AMBER TINTED DIFF. ** | .190 | .020 | .043 | 610 | 50 | 12.6 | 40 | 90 | 20 | | | | | | | | | | | |
| 550-5507-002F | RED NON-DIFF. WATER CLEAR | .197 | .018 | .040 | 635 | 24 | 80 | 125 | | | | | | | | | | | | | |
| 550-5607-002F | GREEN NON-DIFF. WATER CLEAR | .197 | .018 | .040 | 565 | 24 | 80 | 120 | | | | | | | | | | | | | |
| 550-5707-002F | YELLOW NON-DIFF. WATER CLEAR | .197 | .018 | .040 | 583 | 24 | 80 | 140 | | | | | | | | | | | | | |
| 550-5807-002F | AMBER NON-DIFF. WATER CLEAR ** | .190 | .024 | .050 | 611 | 30 | 240 | 700 | | | | | | | | | | | | | |

| REV | ECN NO | REVISIONS | DRN | CKD | DATE |
|-----|--------|-------------|-----|-----|---------|
| A | 92292 | NEW RELEASE | LD | NO | 4-26-22 |

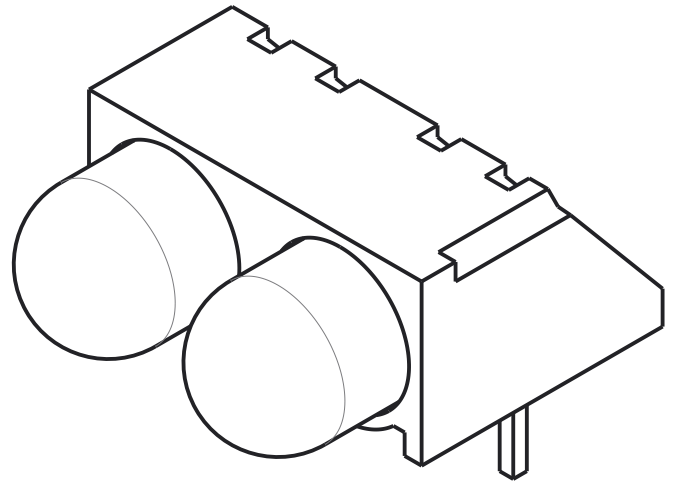
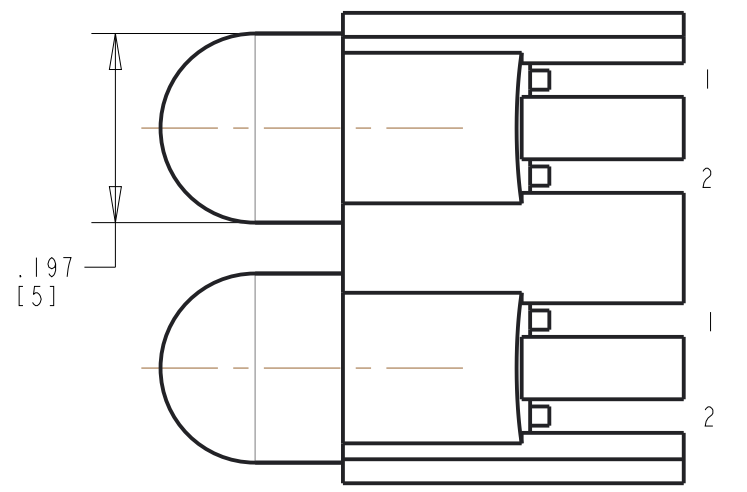
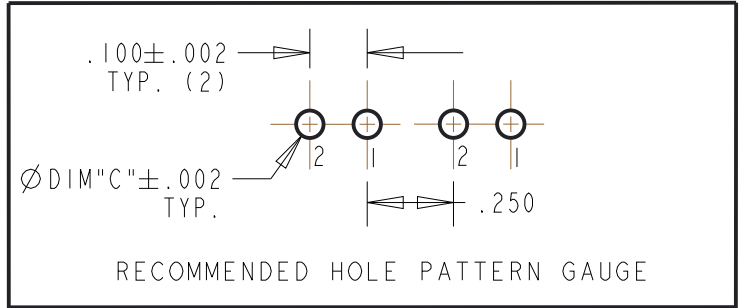



LAMP PREPARATION BEFORE ASSEMBLY (CODE **)
SHEAR FLANGE - BODY DIA. AT BASE = .200 MAX

- NOTES:
- LED LEAD DIMENSIONS SHOWN ARE MEASURED AT HOUSING EXIT.
 - LEADS TO FIT INTO HOLES SPACED AS PER PATTERN.
 - PIN NUMBERS FOR REFERENCE ONLY, DESIGNATION NON-EXISTENT ON PART.
 - DIALIGHT PART NUMBERS: 550-XX07-002F.
 - THIS ASSEMBLY CONTAINS ELECTROSTATIC DISCHARGE SENSITIVE DEVICES (ESDS). MAINTAIN ALL PRECAUTIONARY MEASURES DURING ASSEMBLY, HANDLING, AND STORAGE IN ACCORDANCE WITH IPC-A-610.

RoHS COMPLIANT 550-XX07-002F

Part Numbers with the "F" suffix ending are RoHS Compliant.
For example: 550-2207-004F
Packaging is marked with "RoHS Compliant" label or equivalent markings. Parts can be wave soldered, dip soldered or hand soldered using typical lead-free soldering process with max 260°C temp. for 5 sec.



| | | |
|---|-----------------------------|-----|
| THIS DRAWING AND THE CONTENTS HEREIN ARE CONFIDENTIAL AND THE SOLE PROPERTY OF DIALIGHT CORP. REPRODUCTION OF THIS DRAWING OR CONSTRUCTION OF ANY PARTS WITHIN THIS DRAWING ARE FORBIDDEN WITHOUT THE WRITTEN CONSENT OF DIALIGHT CORP. | | |
| SCALE: 5.000 | DRAWING NUMBER | REV |
| ALL DIM'S IN: INCHES (MM) | C-18052 | A |
| TOLERANCES: UNLESS OTHERWISE SPECIFIED | TITLE | |
| FRACTIONS: ±1/64 | 5MM MULTI-BLOCK CBI | |
| DECIMALS (.XX): ±.01 | MATERIAL | |
| DECIMALS (.XXX): ±.005 | | |
| DECIMALS (.XXXX): ±.0005 | | |
| ANGLES: ±1° | | |
| FINISH | | |
| FSCM 83330 | SHEET 1 OF 1 FAMILY TABLES: | |
|  1501 ROUTE 34 SOUTH FARMINGDALE, NJ 07727 (732) 919-3119 www.dialight.com | | |