

OPERATING CHARACTERISTICS AT 25°C AMBIENT

DIALIGHT PART NUMBER	COLOR	LUMINOUS INTENSITY (mcd) @ I <sub>F</sub> = 20 mA			FORWARD VOLTAGE (V) @ I <sub>F</sub> = 20 mA			REVERSE CURRENT (μA) @ V <sub>R</sub> = 5 V	PEAK WAVELENGTH	DOMINANT WAVELENGTH		VIEWING ANGLE (DEG)
		MIN	TYP	MAX	MIN	TYP	MAX	MAX	(TYP)	MIN	MAX	TYP
597-2713-607F, -602F	BLUE	45	71	112	2.8	—	3.8	10	468	463	477	130
	GREEN	112	180	280	2.7	—	3.8		520	518	532	
	ORANGE	71	—	180	1.7	—	2.5		611	598	612	

REV	ECN NO	REVISIONS	DRN	CKD	APP	DATE
A	32902	NEW RELEASE	VP	JTD	NO	4-12-16

NOTES:

- LED CHIP AND COLOR: ALLnGaP ORANGE, InGaN BLUE, InGaN GREEN
- LEADS ARE GOLD (Au) PLATED FINISH.
- PACKAGING: -607F SUFFIX MEANS 20 PCS SAMPLE STRIP  
-602F SUFFIX MEANS 3000 PARTS/REEL, 7 INCH (180mm) DIA. REEL.
- THIS ASSEMBLY CONTAINS ELECTROSTATIC DISCHARGE SENSITIVE DEVICES (ESDS). MAINTAIN ALL PRECAUTIONARY MEASURES DURING ASSEMBLY, HANDLING, AND STORAGE IN ACCORDANCE WITH IPC-A-610.
- MOISTURE SENSITIVITY LEVEL 3.
- TAPE AND REEL LEDS MAY REQUIRE RE-TAPING AFTER TWELVE MONTHS.
- PIN NUMBERS FOR REFERENCE ONLY, DESIGNATION NON-EXISTENT ON PART.

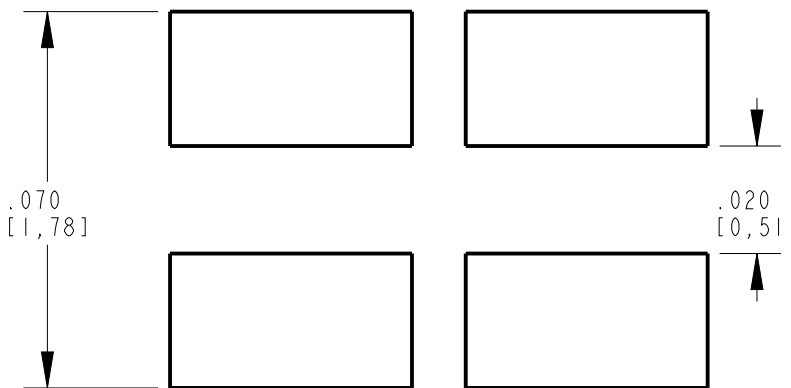
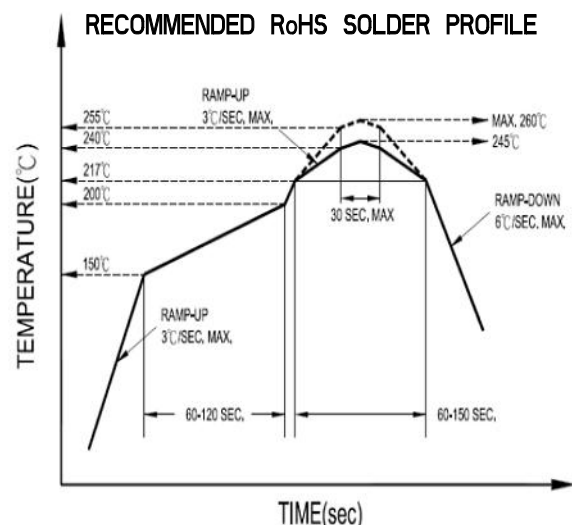
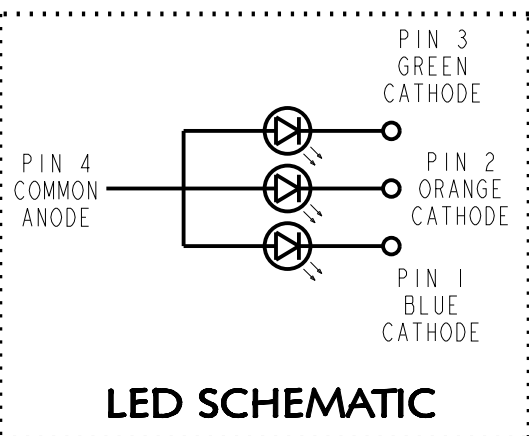
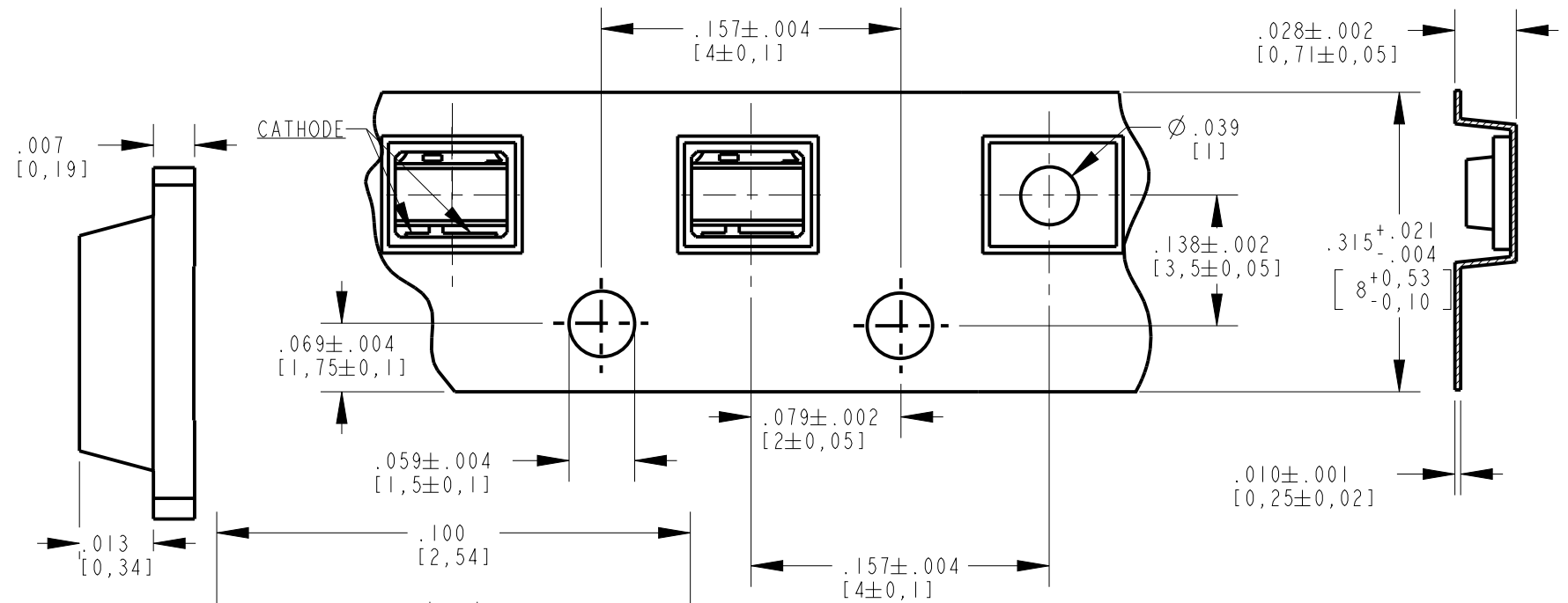
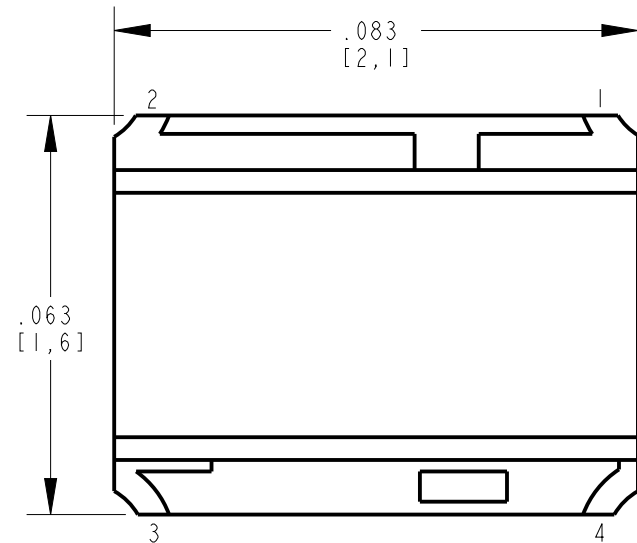
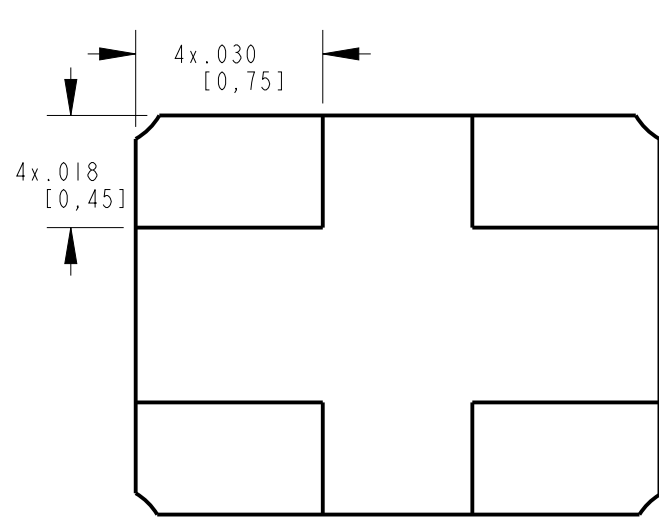
ABSOLUTE MAXIMUM RATING AT 25 C AMBIENT	TRI-COLOR		UNITS
	ORANGE	BLUE/GREEN	
POWER DISSIPATION	62.5	76	mW
PEAK FORWARD CURRENT	60	100	mA
FORWARD CURRENT	25	20	mA
REVERSE VOLTAGE	5	5	V
LEAD SOLDERING TEMP FOR 10 SEC	260	260	C
OPERATING TEMP	-30 TO +85	-20 TO +80	C
STORAGE TEMP	-40 TO +85	-30 TO +100	C

**RoHS COMPLIANT 597-2713-60XF**

Part Numbers with the "F" suffix ending are RoHS Compliant.  
For example: 597-2713-60XF  
Packaging is marked with "RoHS Compliant" label or equivalent markings. These parts can be used with RoHS reflow profile.  
Parts can be wave soldered, dip soldered or hand soldered using typical lead-free soldering process with max 260°C temp. for 5 sec.



**ATTENTION:**  
OBSERVE PRECAUTIONS FOR  
HANDLING ELECTROSTATIC  
SENSITIVE DEVICES



PACKAGE DIMENSIONS OF TAPE AND REEL  
NO SCALE

THIS DRAWING AND THE CONTENTS HEREIN ARE CONFIDENTIAL AND THE SOLE PROPERTY OF DIALIGHT. REPRODUCTION OF THIS DRAWING OR CONSTRUCTION OF ANY PARTS WITHIN THIS DRAWING ARE FORBIDDEN WITHOUT THE WRITTEN CONSENT OF DIALIGHT.		
SCALE: 33.000 ALL DIM'S IN: INCHES (MM)	DRAWING NUMBER C-18252	REV A
TOLERANCES: UNLESS OTHERWISE SPECIFIED	TITLE B/G/O TRI-COLOR SMT LED PLCC-4 PACKAGE	
FRACTIONS: ±1/64 DECIMALS (.XX): ±.01 DECIMALS (.XXX): ±.005 DECIMALS (.XXXX): ±.0005 ANGLES: ±1°	MATERIAL	
FINISH:		
FSCM 83330	1501 ROUTE 34 SOUTH FARMINGDALE, NJ 07727	
SHEET 1 OF 1 FAMILY TABLE:		