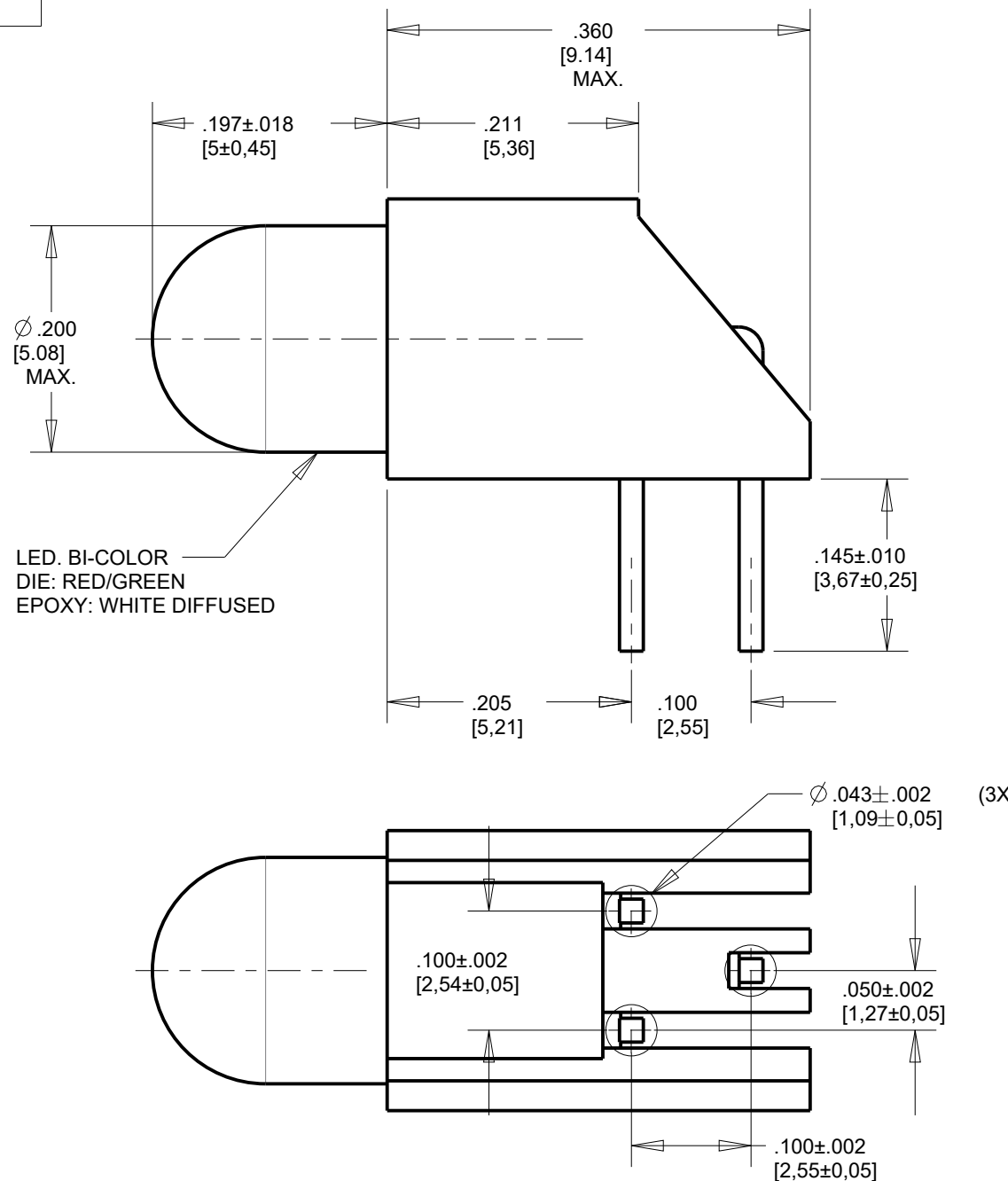
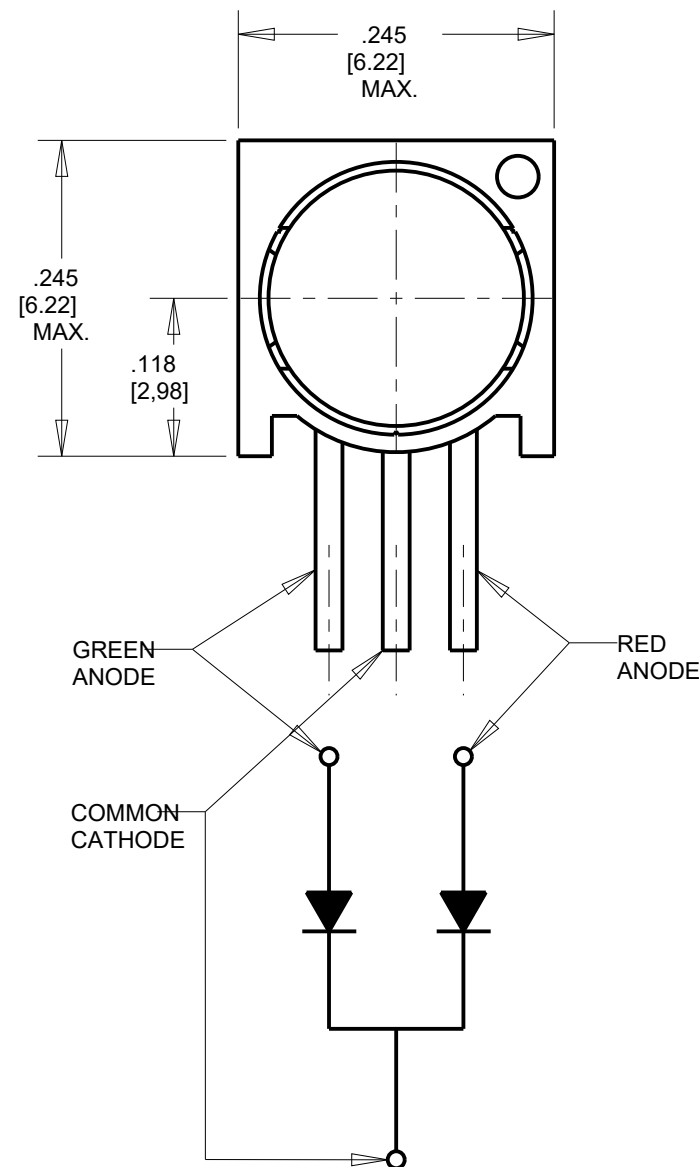


OPERATING CHARACTERISTICS AT T _A = 25 °C						
LED CHARACTERISTICS		MIN.	TYP.	MAX.	UNITS	TEST CONDITIONS
LUMINOUS INTENSITY	GREEN RED	4.2 2.1			mcd	I _F = 10 mA
FORWARD VOLTAGE	GREEN RED		2.2 1.9	3.0 2.6	V	I _F = 20 mA
REVERSE VOLTAGE	GREEN RED	5			V	I _R = 10 μA
VIEWING ANGLE (2 θ 1/2)	GREEN RED		65		DEG.	
PEAK WAVELENGTH	GREEN RED		568 635		nm	I _F = 20 mA
DOMINANT WAVELENGTH	GREEN RED		570 626		nm	I _F = 20 mA
SPEED OF RESPONSE	GREEN RED		260 90		ns	
CAPACITANCE	GREEN RED		18 11		nm	V _F = 0 V f = 1 MHz

ABSOLUTE MAXIMUM RATINGS AT T _A = 25 °C			
	GREEN	RED	UNITS
POWER DISSIPATION (TOTAL)	135	135	mW
PEAK FORWARD CURRENT	90	90	mA
AVERAGE FORWARD CURRENT (TOTAL)	20	20	mA
DC CURRENT (TOTAL)	20	20	mA
TRANSIENT FORWARD CURRENT (10 μ SEC. PULSE)	500	500	mA
REVERSE VOLTAGE (1 _R = 100 μA)	5		V
OPERATING TEMPERATURE	-20 TO +100		°C
STORAGE TEMPERATURE	-40 TO +100		°C
LEAD SOLDERING TEMPERATURE, 5 SEC. MAX., 1/16" FROM BODY	260		°C

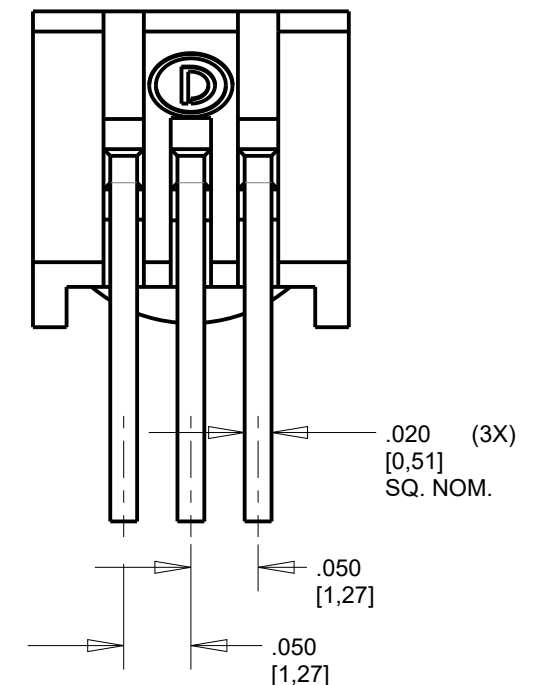
REV	REVISIONS	DRN.	CKD.	APP.	DATE
A	NEW RELEASE	LD	NO		10-21-20



RECOMMENDED PC BOARD HOLE PATTERN

NOTES:

- COLOR: RED/GREEN
- DIALIGHT PART NUMBER: 550-3507F



THIS DRAWING AND THE CONTENTS HEREIN ARE CONFIDENTIAL AND THE SOLE PROPERTY OF DIALIGHT. REPRODUCTION OF THIS DRAWING OR CONSTRUCTION OF ANY PARTS WITHIN THIS DRAWING ARE FORBIDDEN WITHOUT THE WRITTEN CONSENT OF DIALIGHT.

SCALE: 7.000 ALL DIM'S IN: INCHES (MM)	DRAWING NUMBER C-18254	REV A
TOLERANCES: UNLESS OTHERWISE SPECIFIED FRACTIONS: ± 1/64 DECIMALS (.XX): ± .01 DECIMALS (.XXX): ± .005 DECIMALS (.XXXX): ± .0005 ANGLES: ± 1°	TITLE RED/GREEN BI-COLOR CBI BLOCK	
FINISH:	MATERIAL	
FSCM 83330	1501 ROUTE 34 SOUTH FARMINGDALE, NJ 07727	
SHEET 1 OF 1	FAMILY TABLE:	