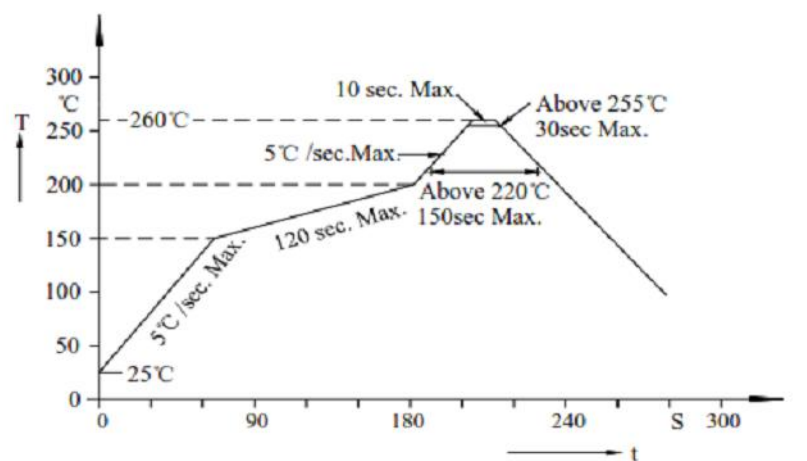


OPERATING CHARACTERISTICS AT 25°C AMBIENT										ABSOLUTE MAXIMUM RATINGS AT 25°C AMBIENT							
DIALIGHT PART NUMBER	COLOR	FIGURE	LUMINOUS INTENSITY (mcd) @I <sub>F</sub> = 20 mA		FORWARD VOLTAGE (V) @I <sub>F</sub> = 20 mA		REVERSE CURRENT (mA) @V <sub>R</sub> = 5 V	DOMINANT WAVELENGTH		VIEWING ANGLE (DEG)	POWER DISS. (mW)	DC FORWARD CURRENT (mA)	ELECTRO-STATIC DISCHARGE (HBM)	REVERSE VOLTAGE (V)	STORAGE TEMP. (°C)	OPERATING TEMP. (°C)	SOLDERING TEMP. (1/10 SEC)
			MIN	MAX	MIN	MAX	MAX	MIN	MAX	TYP							
598-8810-302F 598-8810-307F	RED	1	35	100	1.8	2.4	10	630	640	160	48	20	1000	5	-40 TO +100	260 °C	68
	GREEN		200	560	2.7	3.5		515	530		68						
	BLUE		60	200	2.7	3.5		465	475		68						
598-8820-302F 598-8820-307F	RED-ORANGE	1	70	200	1.8	2.4	10	600	610	160	48	20	1000	5	-40 TO +100	260 °C	68
	GREEN		200	560	2.7	3.5		515	530		68						
	BLUE		60	200	2.7	3.5		465	475		68						
598-8840-302F 598-8840-307F	YELLOW	2	90	150	1.8	2.4	10	585	595	140	48	20	1000	-	-40 TO +85	260 °C	68
	GREEN		260	900	3.0	3.4		515	525		68						
	BLUE		90	260	3.0	3.4		465	475		68						



**ATTENTION:**  
OBSERVE PRECAUTIONS FOR  
HANDLING ELECTROSTATIC  
SENSITIVE DEVICES

REV	ECN NO	REVISIONS	DRN	APP	DATE
A		NEW RELEASE	BP	SK	11-15-16
B		ADDED 302F PART NUMBERS	LD	NO	12-19-19
C	96589	ADDED 598-8840-30XF AND REMOVED 598-8830-30XF	LD	CS	8-18-22
D	104395	REVISED 598-8840-307F LED SCHEMATIC, ADDED FIG.2	LD	CS	5-30-22



RECOMMENDED RoHS SOLDER PROFILE

LED SCHEMATICS

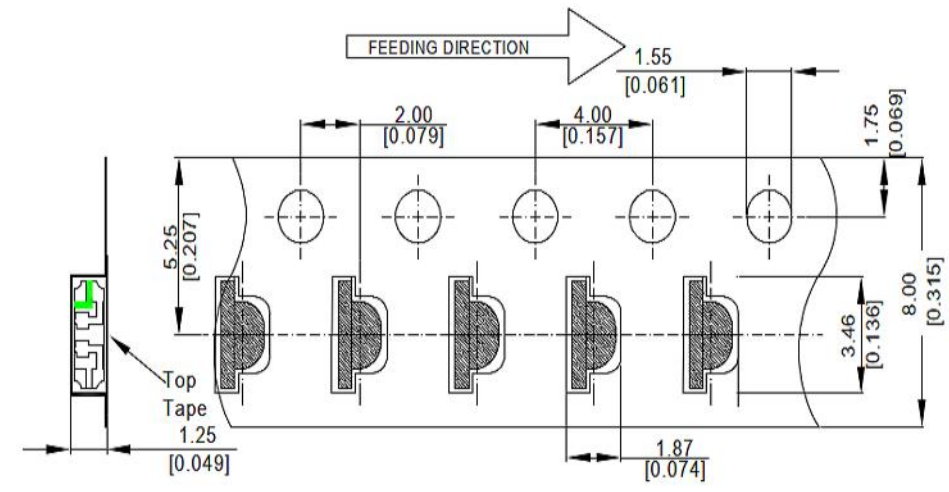
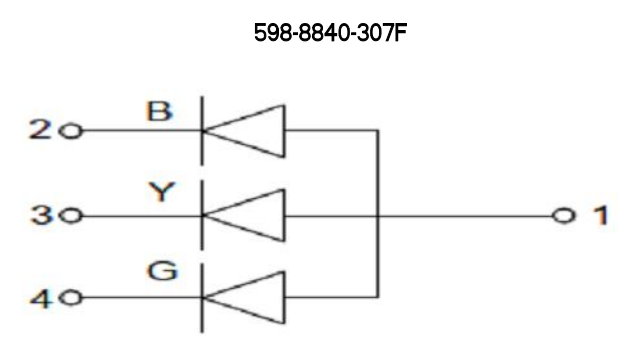
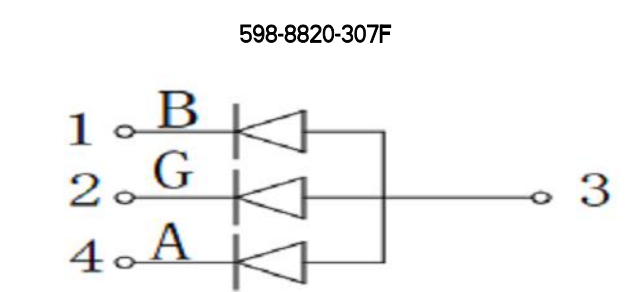
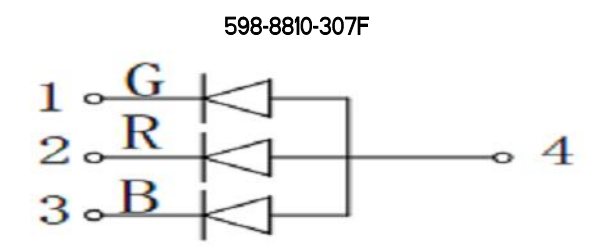
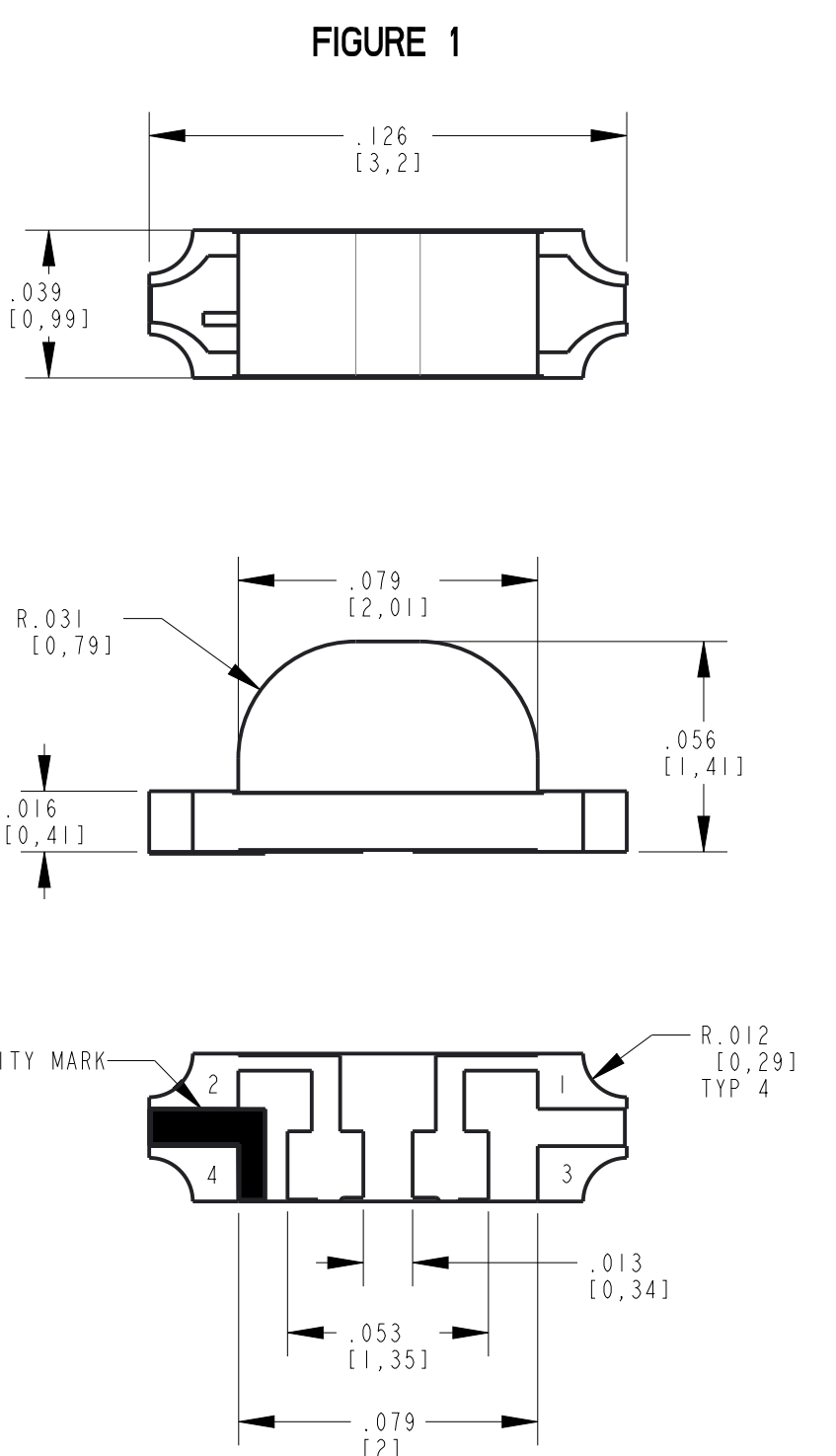
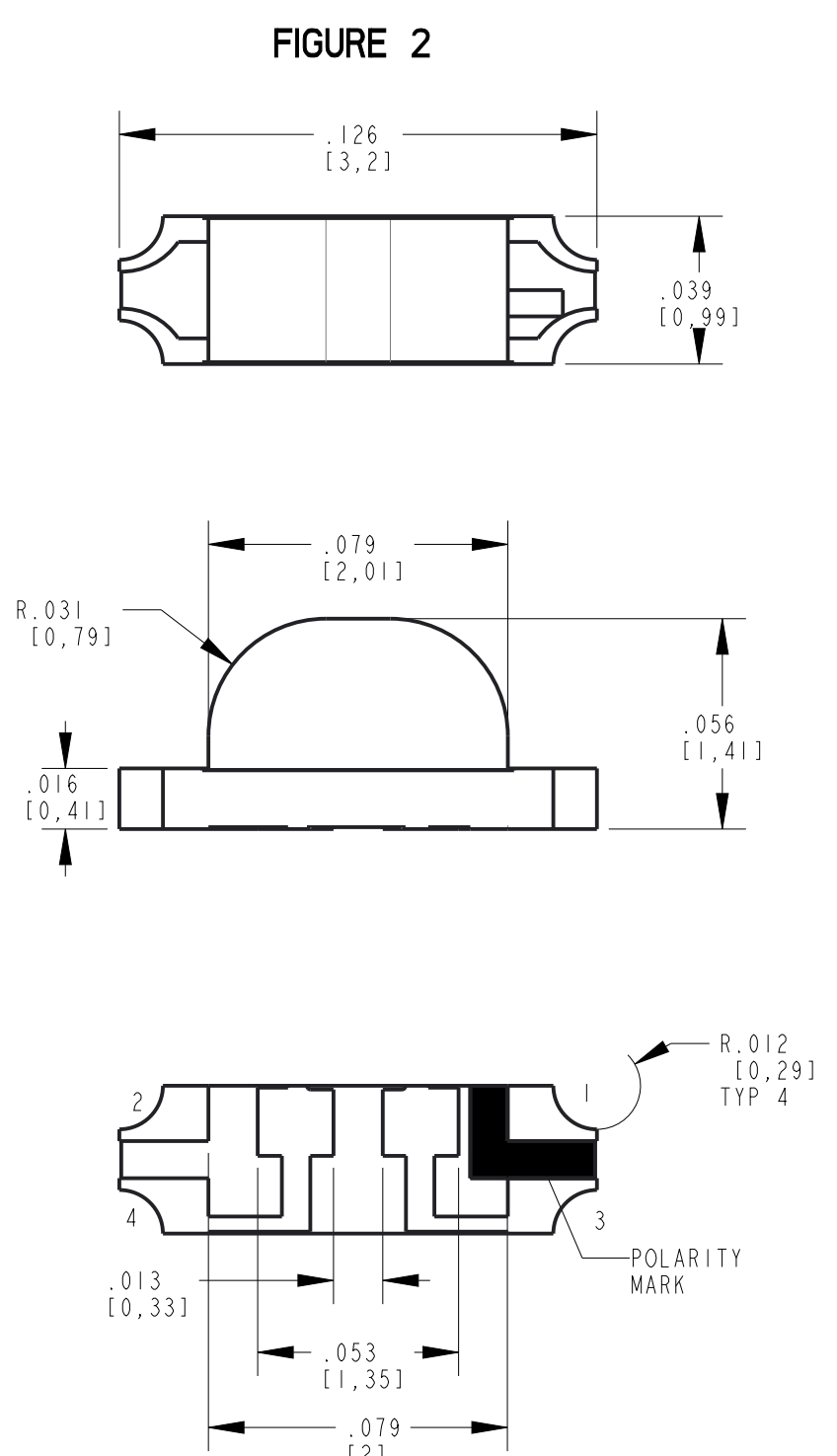
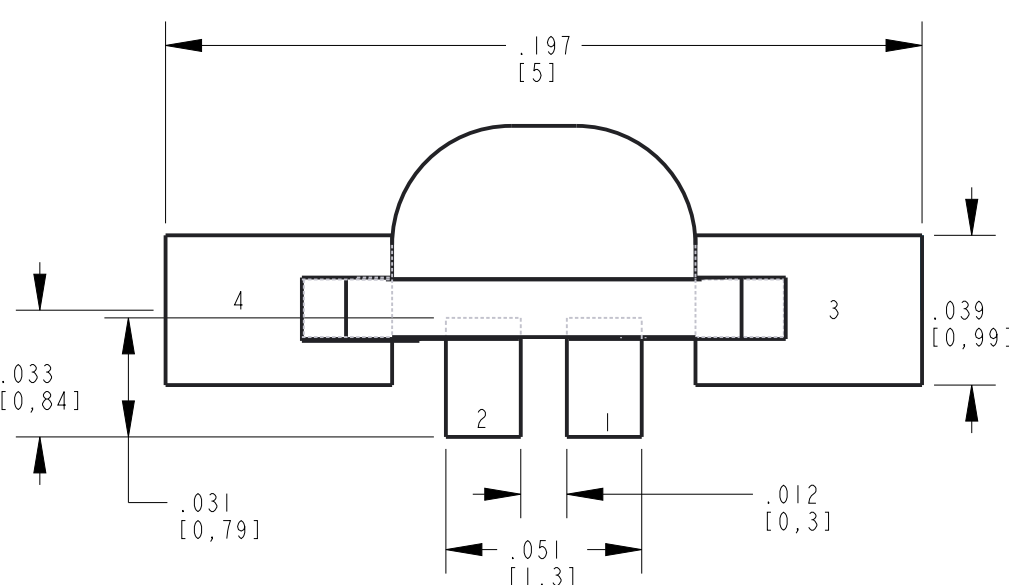


Fig.2-1 Carrier Tape Dimension

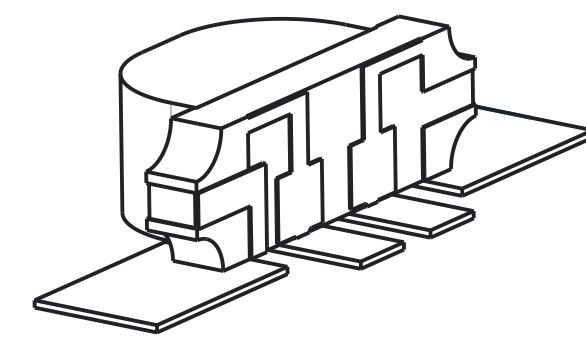
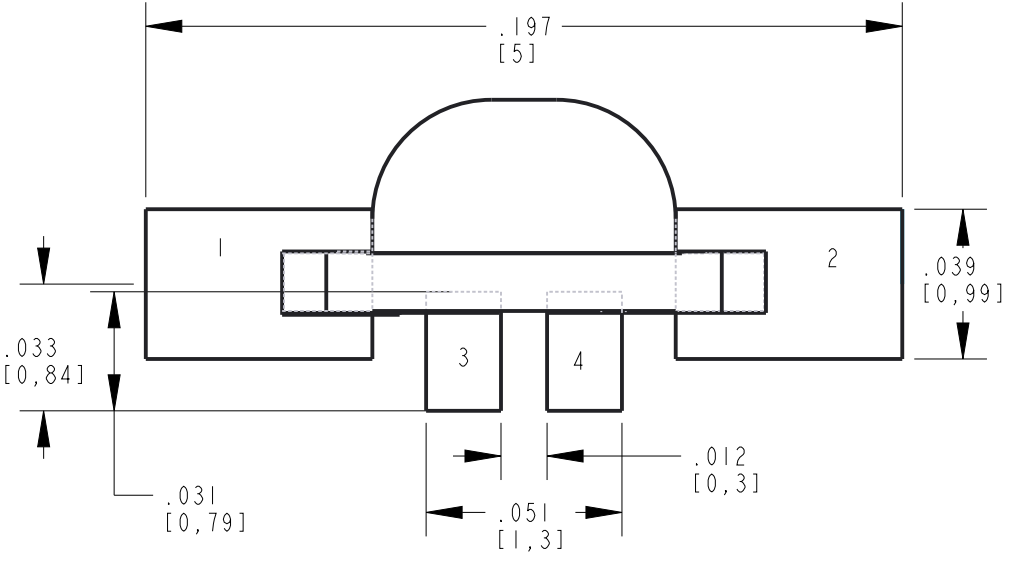
RECOMMENDED DIMENSIONS OF TAPE AND REEL



RECOMMENDED SOLDER PAD LAYOUT



RECOMMENDED SOLDER PAD LAYOUT



NOTES:

- LED CHIP: InGaN AND ALLnGaP
- LEADS ARE GOLD (Au) PLATED FINISH.
- PACKAGING: 8mm TAPE, 7" REEL AND 20 PCS STRIP.
- THIS ASSEMBLY CONTAINS ELECTROSTATIC DISCHARGE SENSITIVE DEVICES (ESDS). MAINTAIN ALL PRECAUTIONARY MEASURES DURING ASSEMBLY, HANDLING, AND STORAGE IN ACCORDANCE WITH IPC-A-610.
- MOISTURE SENSITIVITY LEVEL 3.
- TAPE AND REEL LEDS MAY REQUIRE RE-TAPING AFTER TWELVE MONTHS.
- PIN NUMBERS FOR REFERENCE ONLY, DESIGNATION NON-EXISTENT ON PART.

THIS DRAWING AND THE CONTENTS HEREIN ARE CONFIDENTIAL AND THE SOLE PROPERTY OF DIALIGHT CORP. REPRODUCTION OF THIS DRAWING OR CONSTRUCTION OF ANY PARTS WITHIN THIS DRAWING ARE FORBIDDEN WITHOUT THE WRITTEN CONSENT OF DIALIGHT CORP.		
DIALIGHT CORP. INTERNAL REFERENCE ONLY = 3D MODEL = 5988510207F-PADLAYOUT-B.3	DRAWING NUMBER	REV
SCALE: 20.000		
ALL DIM'S IN: INCHES (MM)		
TOLERANCES: UNLESS OTHERWISE SPECIFIED		
FRACTIONS: ±1/64		
DECIMALS (.XX): ±.01		
DECIMALS (.XXX): ±.005		
DECIMALS (.XXXX): ±.0005		
ANGLES: ±1°		
FINISH		
FSCM 83330		
C-18301		D
TITLE TRI COLOR RIGHT ANGLE LED		
MATERIAL		
1501 ROUTE 34 SOUTH, FARMINGDALE, NJ 07727 (732) 919-3119 www.dialight.com		
SHEET 1 OF 1		FAMILY TABLE: