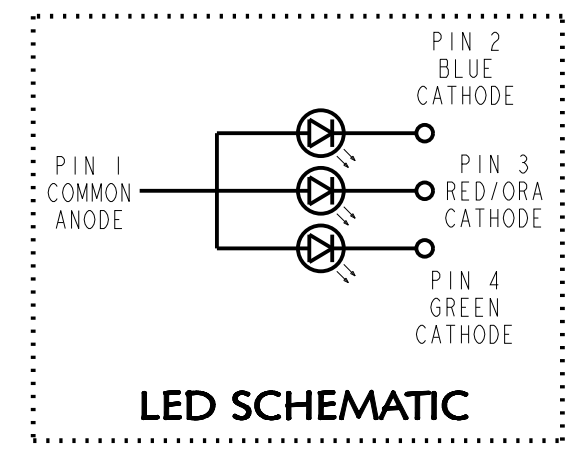
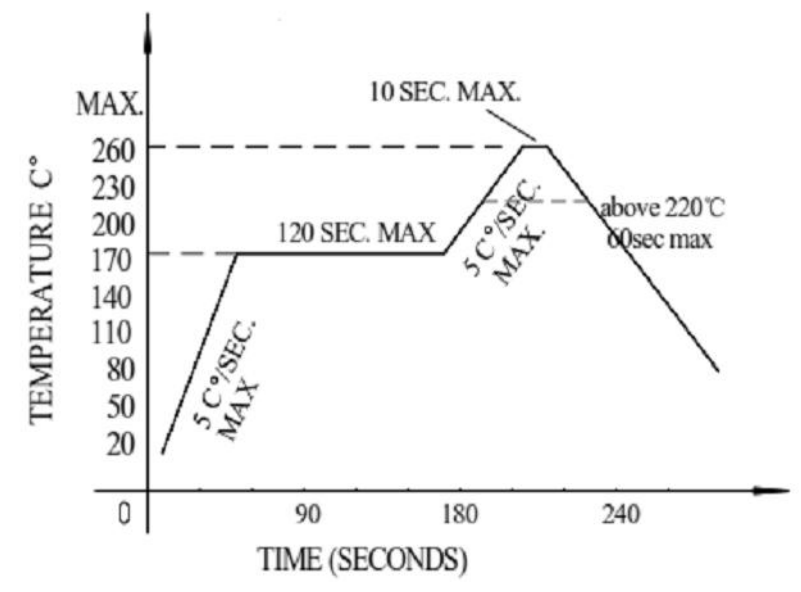
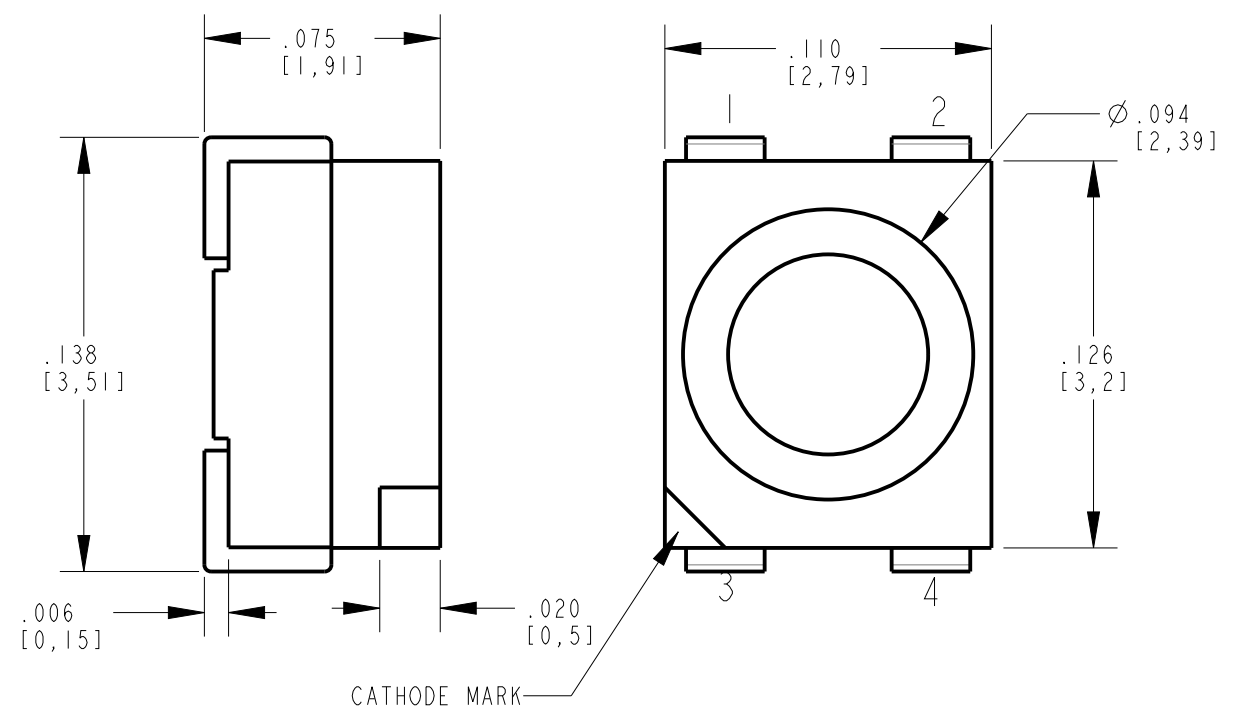
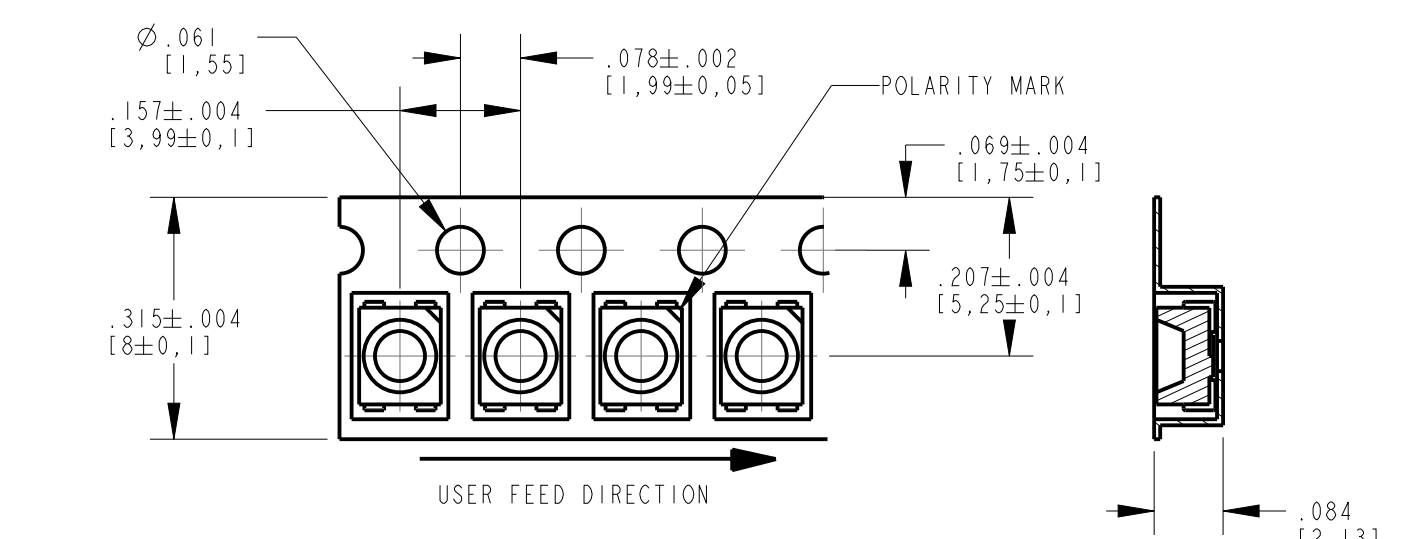


REV	ECN NO	REVISIONS	DRN	CKD	APP	QA	CM	DATE
A	---	NEW RELEASE	BP	---	NO	---	---	1-30-17



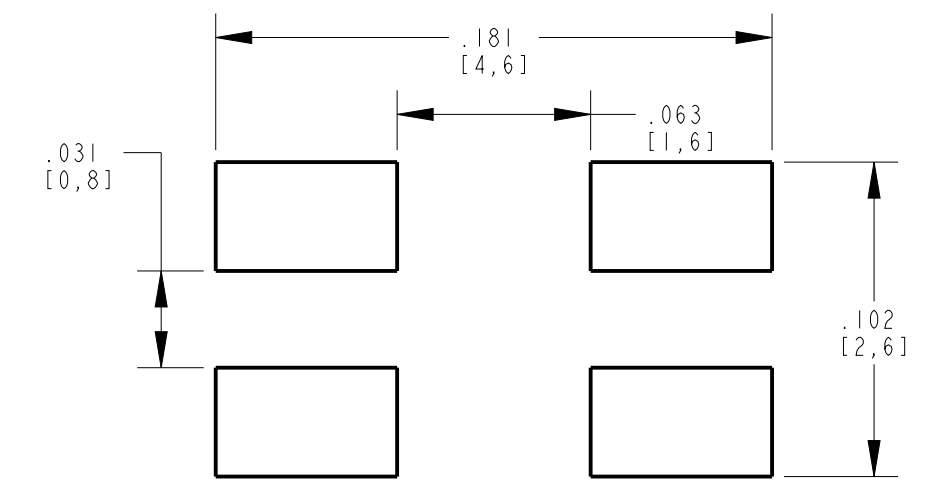
RECOMMENDED RoHS SOLDER PROFILE



TAPING SPECIFICATIONS SCALE 4.000

ABSOLUTE MAXIMUM RATINGS AT 25° C AMBIENT	RED/ORA	GREEN	BLUE	UNITS
CONTINUOUS FORWARD CURRENT		30		mA
PEAK FORWARD CURRENT (1/8 DUTY CYCLE)		100		mA
REVERSE VOLTAGE		5		V
REFLOW SOLDERING TEMPERATURE FOR 5 SEC.		260		°C
OPERATING TEMPERATURE		-20 TO +85		°C
STORAGE TEMPERATURE		-35 TO +85		°C
ELECTROSTATIC DISCHARGE		2000 (HBM)		V

LED COLOR	DOMINANT WAVELENGTH (nm) @ I <sub>F</sub> =20mA			LUMINOUS INTENSITY (mcd) @ I <sub>F</sub> =20mA			FORWARD VOLTAGE (V) @ I <sub>F</sub> =20mA			REVERSE CURRENT (μA) @ V <sub>r</sub> =5V	VIEWING ANGLE (DEGREES)
	MIN	TYP	MAX	MIN	TYP	MAX	MIN	TYP	MAX	MAX	TYP
RED/ORANGE	620	625	630	180	230	380	1.8	2.1	2.3	10	120
GREEN	520	525	530	650	1000	1200	3.0	3.2	3.4	10	120
BLUE	465	468	472.5	150	230	350	3.0	3.2	3.4	10	120



RECOMMENDED SOLDER PAD LAYOUT

- NOTES:
- DIALIGHT PART NUMBERS: 597-7714-002F/007F.
  - TAPE & REEL MAY REQUIRE RE-TAPING AFTER 12 MONTHS.
  - PIN NUMBERS ARE FOR REFERENCE ONLY. DESIGNATION NON-EXISTENT ON PART OR REEL TAPE.
  - ...002F SUFFIX MEANS PARTS PACKAGED ON A 20 PC SAMPLE STRIP.  
...007F SUFFIX MEANS PARTS PACKAGED ON A 7" [Ø180mm] REEL, 2,000 PCS/REEL.
  - MOISTURE SENSITIVITY LEVEL: 3
  - PACKAGING TO INCLUDE LABEL CONTAINING DIALIGHT PART NUMBER, DATE CODE/LOT NO., INTENSITY BIN AND COLOR BINS, QTY/REEL, AND COUNTRY OF ORIGIN.
  - THIS ASSEMBLY CONTAINS ELECTROSTATIC DISCHARGE SENSITIVE DEVICES (ESDS). MAINTAIN ALL PRECAUTIONARY MEASURES DURING ASSEMBLY, HANDLING, AND STORAGE IN ACCORDANCE WITH IPC-A-610.

RoHS COMPLIANT 597-7714-00XF  
 Part Numbers with the "F" suffix ending are RoHS Compliant.  
 For example: 597-7741-002F  
 Reel and bag packaging are marked with "RoHS Compliant" label or equivalent markings. These parts can be used with RoHS reflow profile. Parts can be wave soldered, dip soldered or hand soldered using typical lead-free soldering process with max 260°C temp. for 5 sec.

THIS DRAWING AND THE CONTENTS HEREIN ARE CONFIDENTIAL AND THE SOLE PROPERTY OF DIALIGHT CORP. REPRODUCTION OF THIS DRAWING OR CONSTRUCTION OF ANY PARTS WITHIN THIS DRAWING ARE FORBIDDEN WITHOUT THE WRITTEN CONSENT OF DIALIGHT CORP.

DIALIGHT CORP INTERNAL REFERENCE ONLY = 3D MODEL : 4500521834726\_PAD-A.1

SCALE: 16.000	DRAWING NUMBER	REV
ALL DIM'S: INCH (mm)	<b>C-18315</b>	<b>A</b>
TOLERANCES: UNLESS OTHERWISE SPECIFIED	TITLE	
FRACTIONS: ±1/64	RO/G/B PLCC-4 LED	
DECIMALS (.XX): ±.01	MATERIAL	
DECIMALS (.XXX): ±.005	FINISH	
DECIMALS (.XXXX): ±.0005	FSCM 83330	
ANGLES: ±1°	SHEET 1 OF 1 FAMILY TABLE:	

**Dialight** 1501 ROUTE 34 SOUTH FARMINGDALE, NJ 07727 (732) 919-3119 www.dialight.com