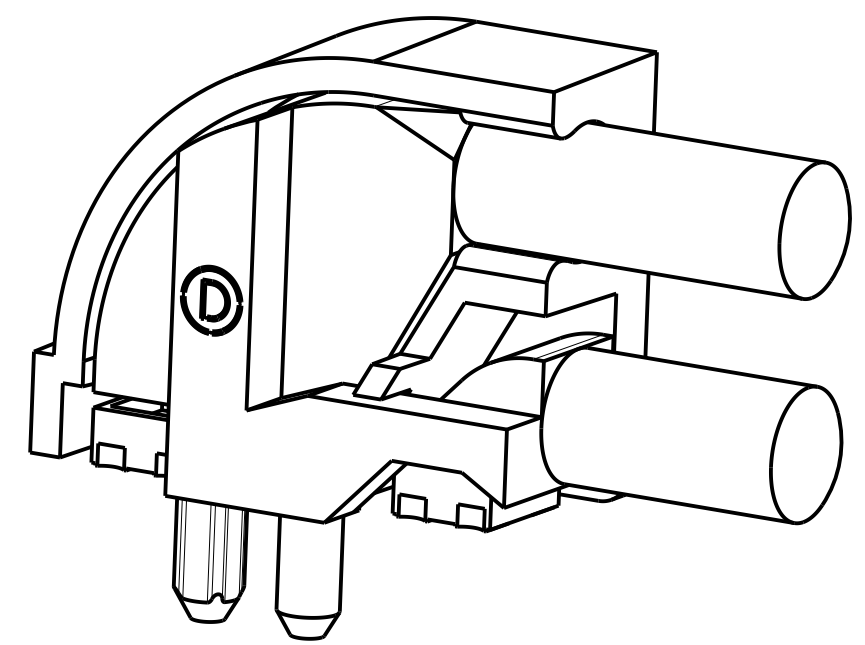
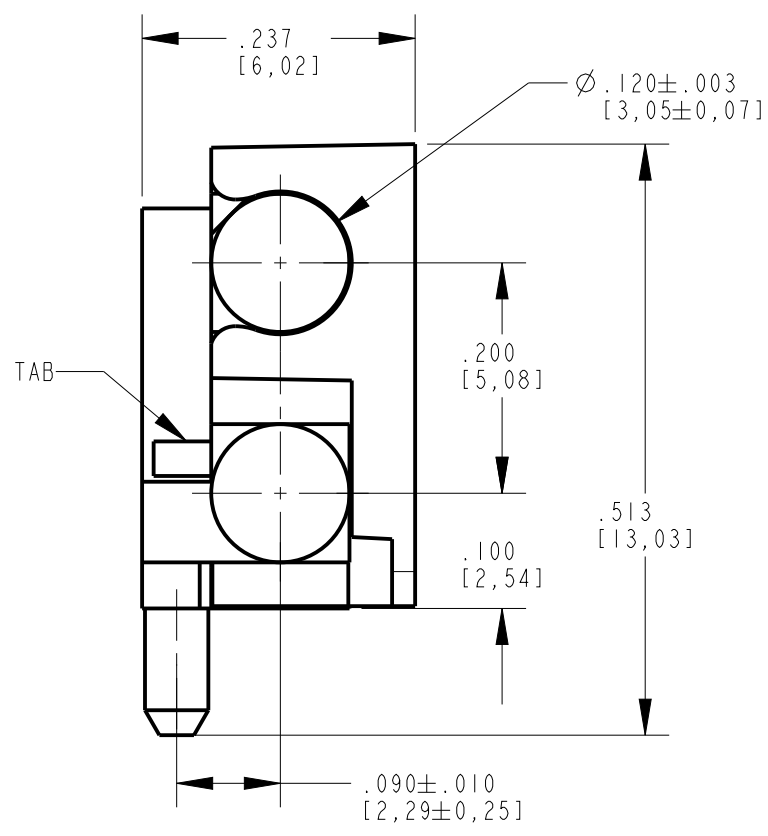
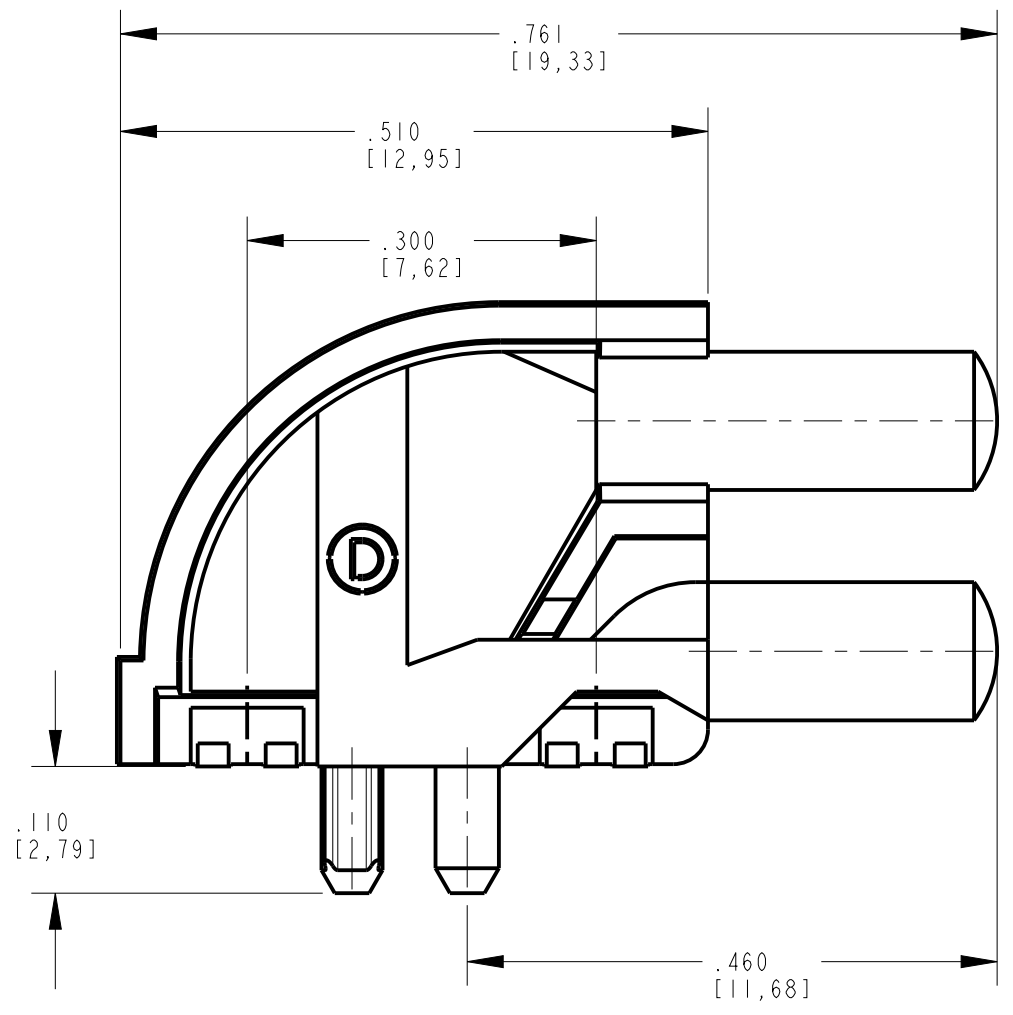
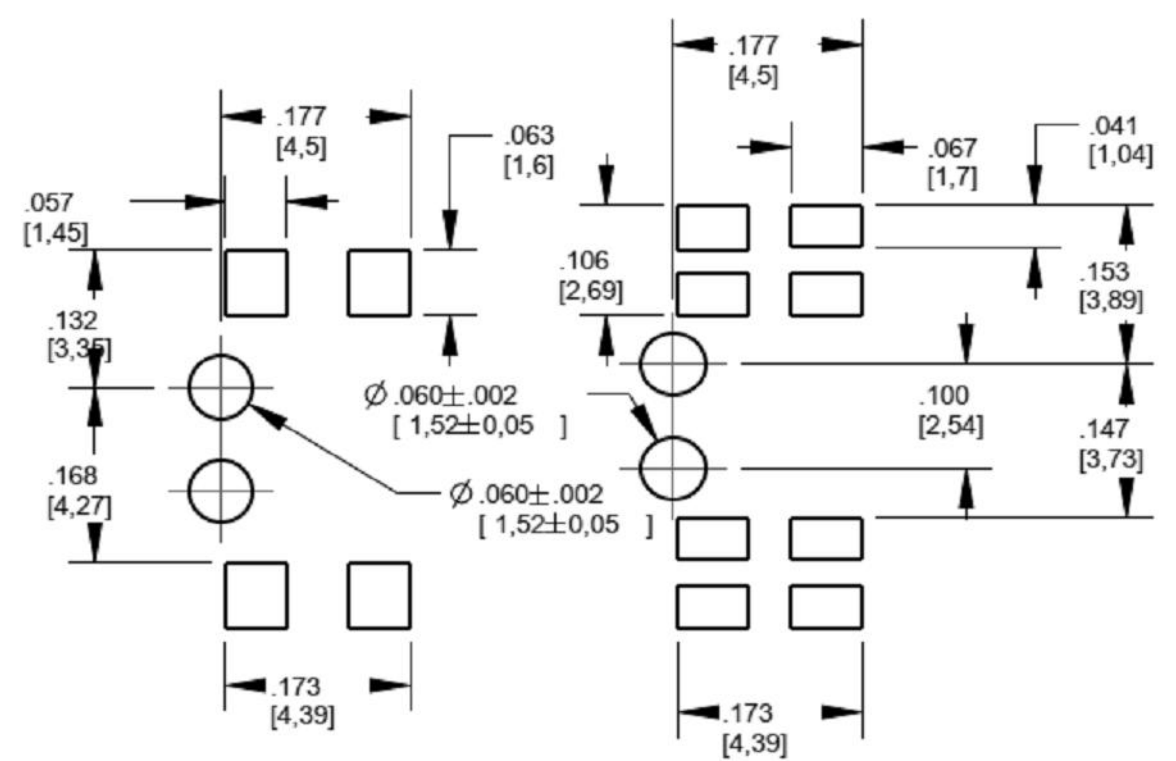


REV	REVISIONS	DRN	CKD	DATE
A	NEW RELEASE	LD	SK	12-11-19

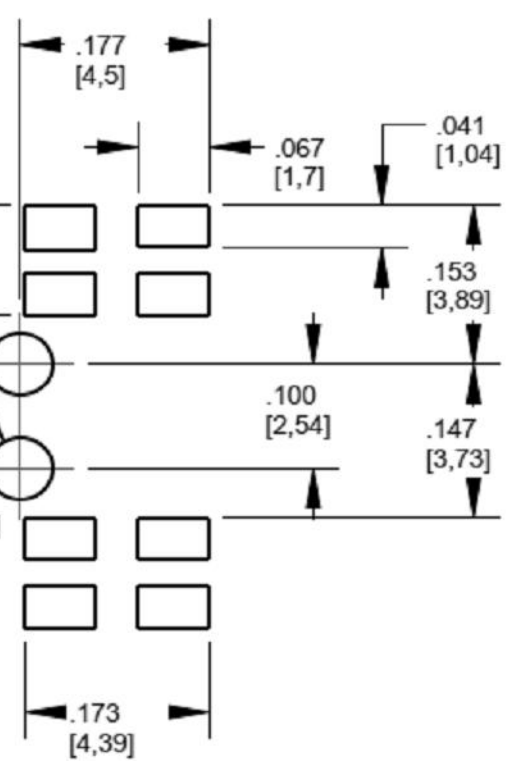


NOTES:

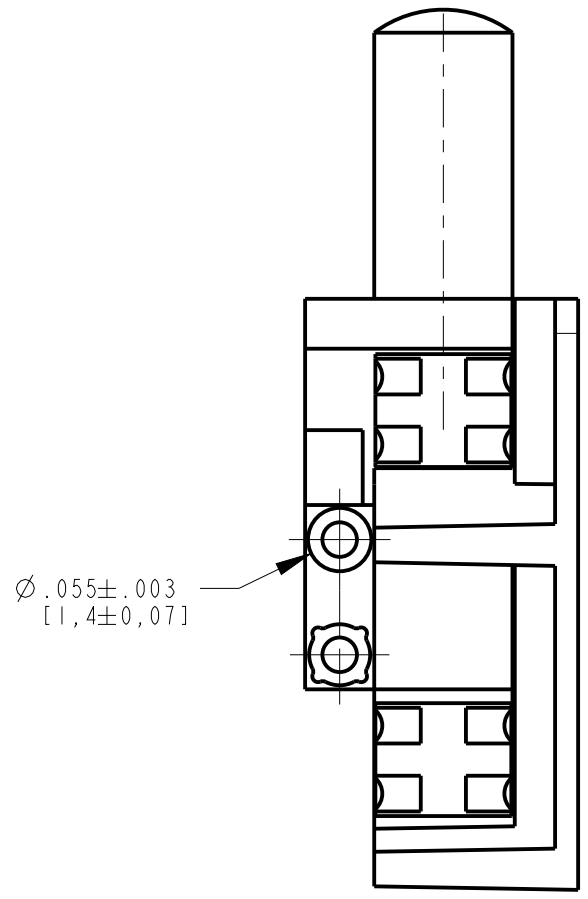
1. LIGHT PIPE TO BE MOLDED IN A CLEAR TRANSMISSIVE POLYCARBONATE (UL 94V-0 FLAMMABILITY CLASS). LIGHT SHIELD TO BE MOLDED IN A BLACK PBT (UL 94V-0 FLAMMABILITY CLASS).
2. COMPONENTS DESIGNED TO BE PRESSED INTO P.C. BOARD USING A HAND TOOL.
3. MINIMUM DISTANCE FROM THE CENTER LINE OF NON-COMPRESSION PIN (WITHOUT RIBS) TO BACK OF THE FRONT PANEL: 0.220 INCHES
4. RECOMMENDED LIGHT SOURCES: SINGLE OR BI-COLOR SMT LEDS (DIALIGHT P/N'S: 597-7XX1-507F OR 597-3XX1-507F).
5. OPERATING/STORAGE TEMPRATURE: -30°C TO +100°C
6. DIALIGHT PART NUMBER: 515-1094-804F.



RECOMMENDED PAD LAYOUT FOR SINGLE COLOR SMT LEDS (P/N 597-3XX1-507F)



RECOMMENDED PAD LAYOUT FOR BI-COLOR SMT LEDS (P/N 597-7XX1-507F)



THIS DRAWING AND THE CONTENTS HEREIN ARE CONFIDENTIAL AND THE SOLE PROPERTY OF DIALIGHT CORP. REPRODUCTION OF THIS DRAWING OR CONSTRUCTION OF ANY PARTS WITHIN THIS DRAWING ARE FORBIDDEN WITHOUT THE WRITTEN CONSENT OF DIALIGHT CORP.		
DIALIGHT CORP. INTERNAL REFERENCE ONLY = 3D MODEL : 5151094804F-A.3		
SCALE: 6.000	DRAWING NUMBER	REV
ALL DIM'S: INCH (mm)	515-1094-804F	A
TOLERANCES: UNLESS OTHERWISE SPECIFIED	TITLE LIGHT PIPE 2 ELEMENT WITH BARRIER	
FRACTIONS: ±1/64	MATERIAL SEE BOM	
DECIMALS (.XX): ±.01		
DECIMALS (.XXX): ±.005		
DECIMALS (.XXXX): ±.0005	1501 ROUTE 34 SOUTH FARMINGDALE, NJ 07727 (732) 919-3119 www.dialight.com	
ANGLES: ±1°	FSCM 83330	SHEET 1 OF 1 FAMILY TABLE:
FINISH		