

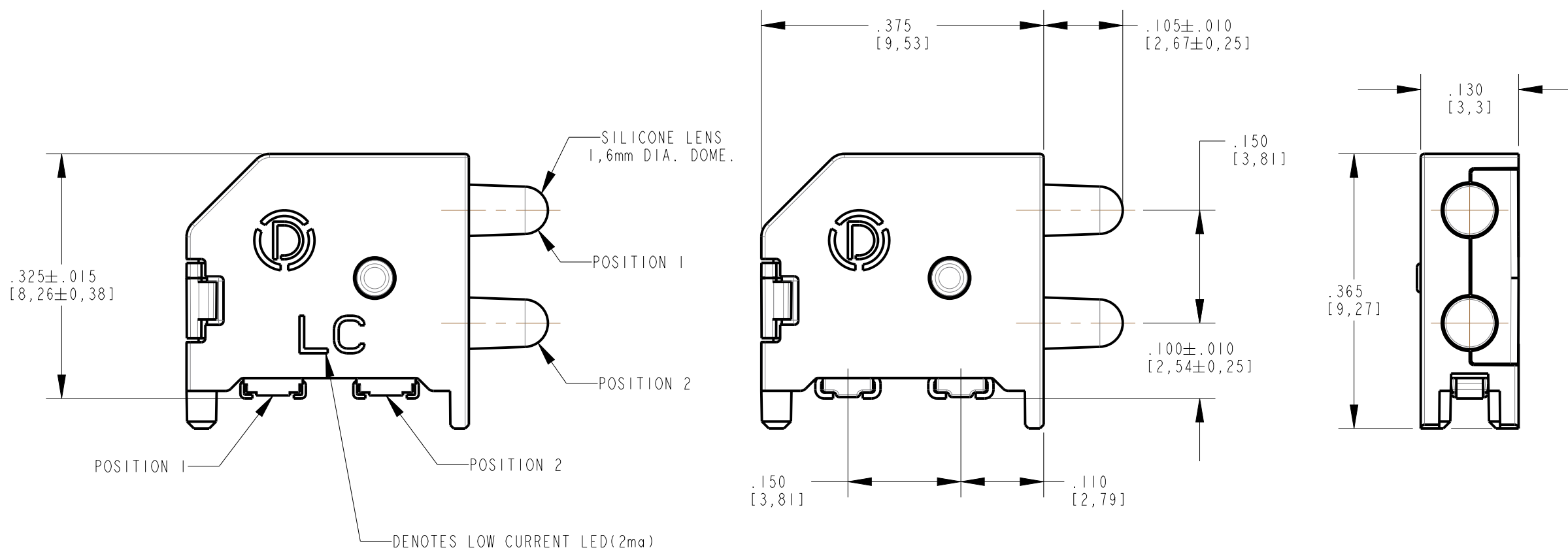
PART NUMBER	COLOR		MSL
	POSITION 1	POSITION 2	
596-2020-002F	RED	RED	3
596-2020-013F	RED	RED	3
596-2023-002F	RED	YELGRN	3
596-2023-013F	RED	YELGRN	3
596-2323-002F	YELGRN	YELGRN	3
596-2323-013F	YELGRN	YELGRN	3
596-2324-002F	YELGRN	YELLOW	3
596-2324-013F	YELGRN	YELLOW	3
596-2326-002F	YELGRN	BLUE	3
596-2326-013F	YELGRN	BLUE	3
596-2420-002F	YELLOW	RED	3
596-2420-013F	YELLOW	RED	3
596-2423-002F	YELLOW	YELGRN	3
596-2423-013F	YELLOW	YELGRN	3
596-2424-002F	YELLOW	YELLOW	3
596-2424-013F	YELLOW	YELLOW	3
596-2429-002F	YELLOW	TGREEN	3
596-2429-013F	YELLOW	TGREEN	3
596-2525-002F	ORANGE	ORANGE	3
596-2525-013F	ORANGE	ORANGE	3
596-2626-002F	BLUE	BLUE	3
596-2626-013F	BLUE	BLUE	3
596-2926-002F	GREEN	BLUE	3
596-2926-013F	GREEN	BLUE	3
596-2929-002F	GREEN	GREEN	3
596-2929-013F	GREEN	GREEN	3
596-1010-002F	RED - 2ma	RED - 2ma	2
596-1010-013F	RED - 2ma	RED - 2ma	2
596-1414-002F	YELLOW - 2ma	YELLOW - 2ma	2
596-1414-013F	YELLOW - 2ma	YELLOW - 2ma	2
596-1515-002F	ORANGE - 2ma	ORANGE - 2ma	2
596-1515-013F	ORANGE - 2ma	ORANGE - 2ma	2
596-1616-002F	ICE BLUE - 2ma	ICE BLUE - 2ma	2
596-1616-013F	ICE BLUE - 2ma	ICE BLUE - 2ma	2
596-1818-002F	WHITE - 2ma	WHITE - 2ma	2
596-1818-013F	WHITE - 2ma	WHITE - 2ma	2

LED COLOR	POWER DISSIPATION (mW)	FORWARD CURRENT (mA)	PEAK FORWARD CURRENT (mA)	REVERSE VOLTAGE (V)	OPERATING TEMPERATURE (°C)	STORAGE TEMPERATURE (°C)	JUNCTION TEMPERATURE (°C)
RED	48	20	100	5	-40 TO +85	-40 TO +100	90
ORANGE	60		80				90
YELLOW	48		100				90
YELLOW GREEN	48		100				90
GREEN	70		100				95
BLUE	70		100				95

LED COLOR	LUMINOUS INTENSITY (mcd) @ IF=10 mA			DOMINANT WAVELENGTH (nm)			REVERSE CURRENT	FORWARD VOLTAGE IF=20mA		VIEWING ANGLE (DEG) @ 50% IV	THERMAL RESISTIVITY (°C/W)
	MIN.	TYP.	MAX.	MIN.	TYP.	MAX.		TYP.	MAX.		
RED		35			625		10µA @ VR=5V	1.8	2.4	30	290
ORANGE		17			605			1.8	2.4		290
YELLOW		20			590			1.8	2.4		290
YELLOW GREEN		3			570			1.8	2.4		290
GREEN		140			525			2.8	3.5		110
BLUE		25			470			2.8	3.3		110

LED COLOR (nm)	FORWARD CURRENT (mA)	SURGE CURRENT (mA) t<10µs; D = .005	REVERSE VOLTAGE (V)	OPERATING TEMPERATURE (°C)	STORAGE TEMPERATURE (°C)	JUNCTION TEMPERATURE (°C)
RED (630)	20	100	12	-40 TO +100	-40 TO +100	+100
ORANGE (606)	20	100				
YELLOW (588)	20	100				
ICE BLUE	15	150	5			
WHITE	20	200	5			

LED COLOR (nm)	CHROMACITY COORDINATE		LUMINOUS INTENSITY (mcd) @ IF=10 mA			DOMINANT WAVELENGTH (nm)			REVERSE CURRENT	FORWARD VOLTAGE IF=2mA			VIEWING ANGLE (DEG) @ 50% IV	THERMAL RESISTIVITY (°C/W)
	Cx	Cy	MIN.	TYP.	MAX.	MIN.	TYP.	MAX.		MAX.	MIN.	TYP.		
RED (630)				6.0		624	630	636	10µA @ VR=12V	1.7	1.8	2.2	30	R,O,Y +280 B,W +230
ORANGE (606)				5.5		600	606	609		1.7	1.8	2.2		
YELLOW (588)				5.0		580	587	595		1.7	1.8	2.2		
ICE BLUE	0.2	0.3		6.5					10µA @ VR=5V	2.5	2.75	3.1		
WHITE	.33	.33		9.3					10µA @ VR=5V	2.5	2.75	3.1		



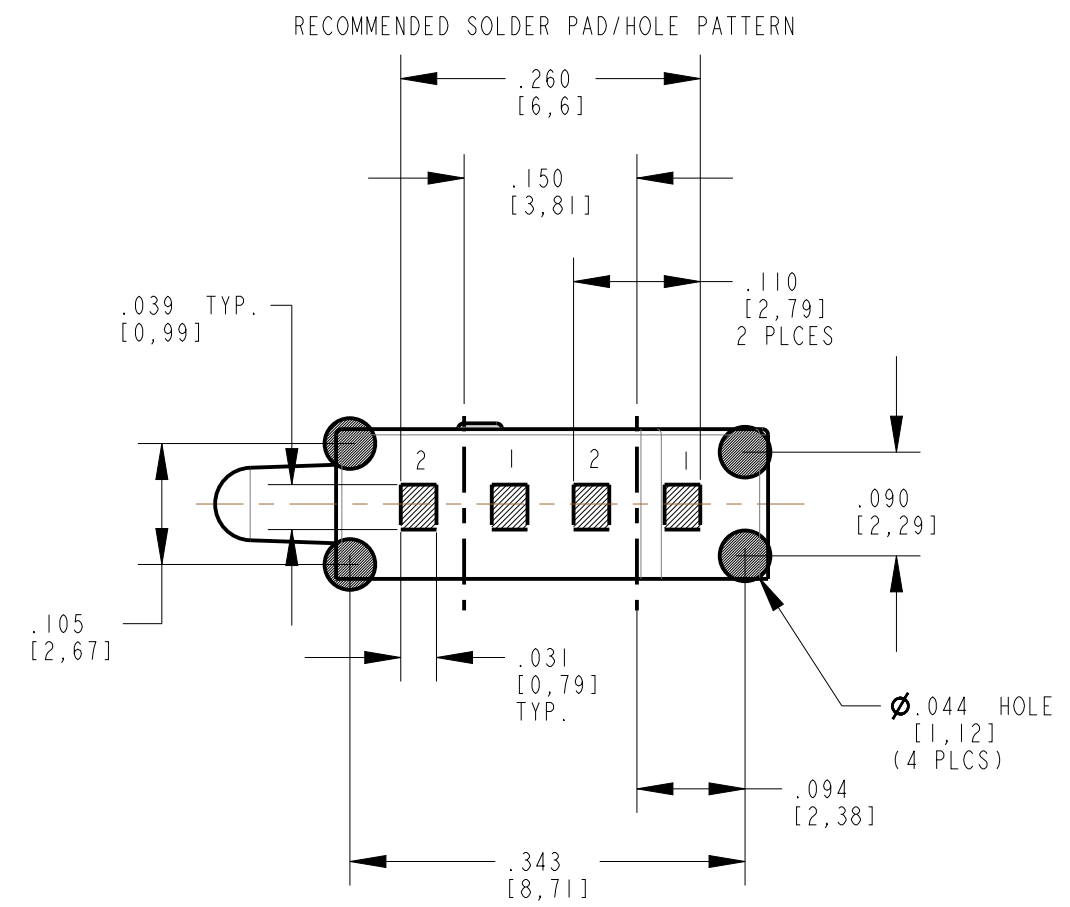
REV	REVISIONS	DRN	APP	DATE
A	NEW RELEASE	JGL		01/31/2020
B	REMOVED 7" REEL/PART NUMBERS	JGL		9/03/2020
C	LUMINOUS INT & QUANTITY ADDED	LD	NO	01/27/2021
D	ADDED COLOR BLUE AND ITS VALUES	LD	NO	3/04/2021

NOTES :

- MILLIMETER DIMENSIONS SHOWN FOR REFERENCE ONLY
- PAD NUMBERS ARE FOR REFERENCE ONLY , DESIGNATION NON-EXISTENT ON PART
- STORAGE CONDITIONS FOR TAPED PRODUCT: RE-TAPING MAY BE NECESSARY FOR PRODUCTS STORED MORE THAN TWELVE MONTHS
- ORDER QUANTITY IS LED ASSEMBLIES , NOT REELS
- ...-002F SUFFIX MEANS PARTS ARE PACKED ON A 10 pc SAMPLE STRIP
...-013F SUFFIX MEANS PARTS ARE PACKED ON A 13 INCH REEL , 500 pcs/REEL
- FRONT AND REAR TERMINALS OF THE ASSEMBLY TO BE WITHIN .005 COPLANARITY
- DIALIGHT PART NUMBERS FOR 20mA AND 2mA PARTS, 596-2X2X-0XXF; 596-1X1X-0XXF
- DRY PACK PACKAGING CONSIST OF A DESICCANT, HUMIDITY INDICATOR CARD IN A VACUUM SEALED MOISTURE BARRIER BAG, MOISTURE SENSITIVITY LABEL LEVEL 2 ON OUTSIDE OF BAG, AS PER JEDEC STD. 033 FOR 2mA PARTS. MSL3 FOR 20mA PARTS.
- ATTENTION: OBSERVE PRECAUTIONS FOR HANDLING ELECTROSTATIC SENSITIVE DEVICES.

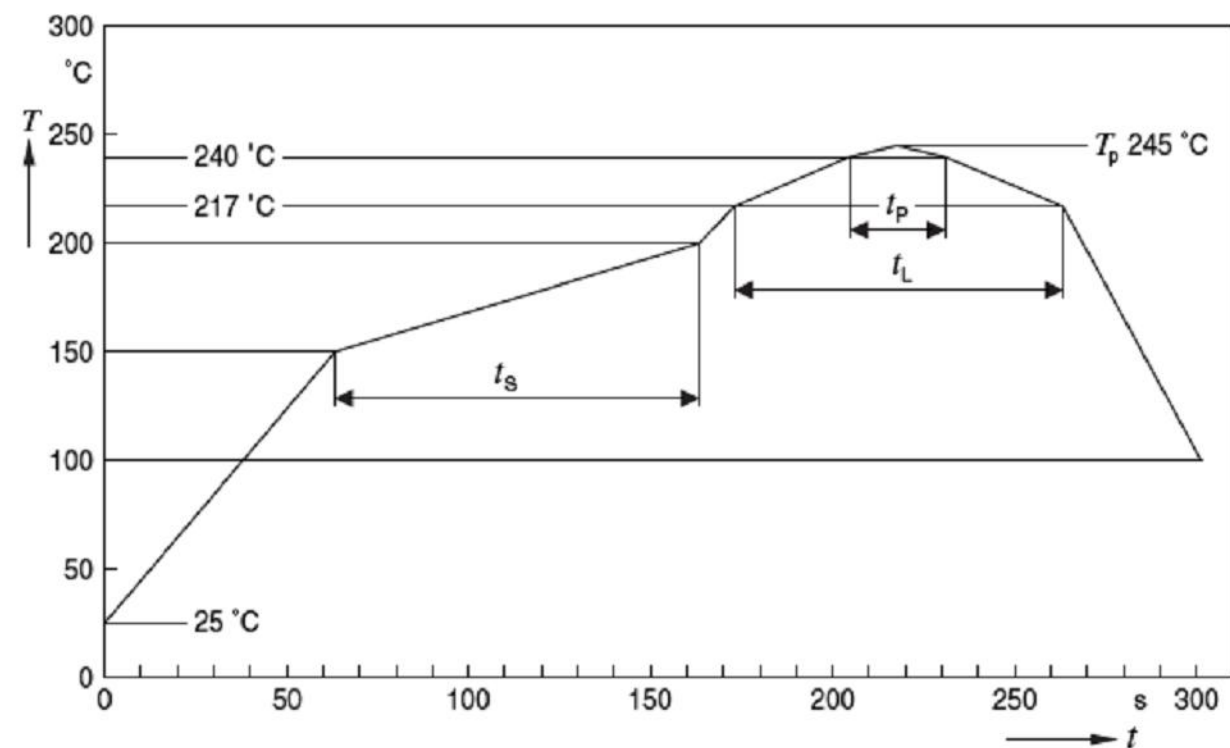


ATTENTION:
OBSERVE PRECAUTIONS FOR
HANDLING ELECTROSTATIC
SENSITIVE DEVICES

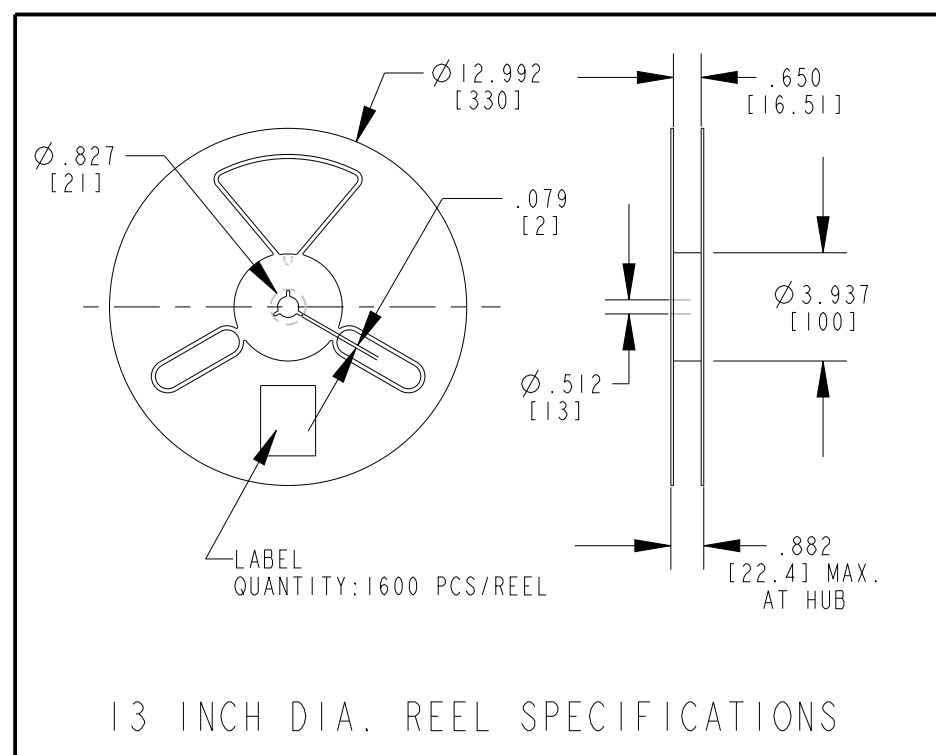


THIS DRAWING AND THE CONTENTS HEREIN ARE CONFIDENTIAL AND THE SOLE PROPERTY OF DIALIGHT CORP. REPRODUCTION OF THIS DRAWING OR CONSTRUCTION OF ANY PARTS WITHIN THIS DRAWING ARE FORBIDDEN WITHOUT THE WRITTEN CONSENT OF DIALIGHT CORP.		
DIALIGHT CORP INTERNAL REFERENCE ONLY - 3D MODEL : 596212XXXX-A-16		
SCALE: 6.000	DRAWING NUMBER	REV
ALL DIM'S IN: INCHES (MM)	C-18463	D
TOLERANCES: UNLESS OTHERWISE SPECIFIED	TITLE	
FRACTIONS: ±1/64	1,6MM BI-LEVEL PRISM	
DECIMALS (.XX): ±.01	MATERIAL	
DECIMALS (.XXX): ±.005		
DECIMALS (.XXXX): ±.0005		
ANGLES: ±1°		
FINISH		
FSCM 83330	Dialight 1501 ROUTE 34 SOUTH FARMINGDALE, NJ 07727 (732) 919-3119 www.dialight.com	
SHEET 1 OF 2	FAMILY TABLE:	

2mA LED
RECOMMENDED RoHS SOLDER PROFILE

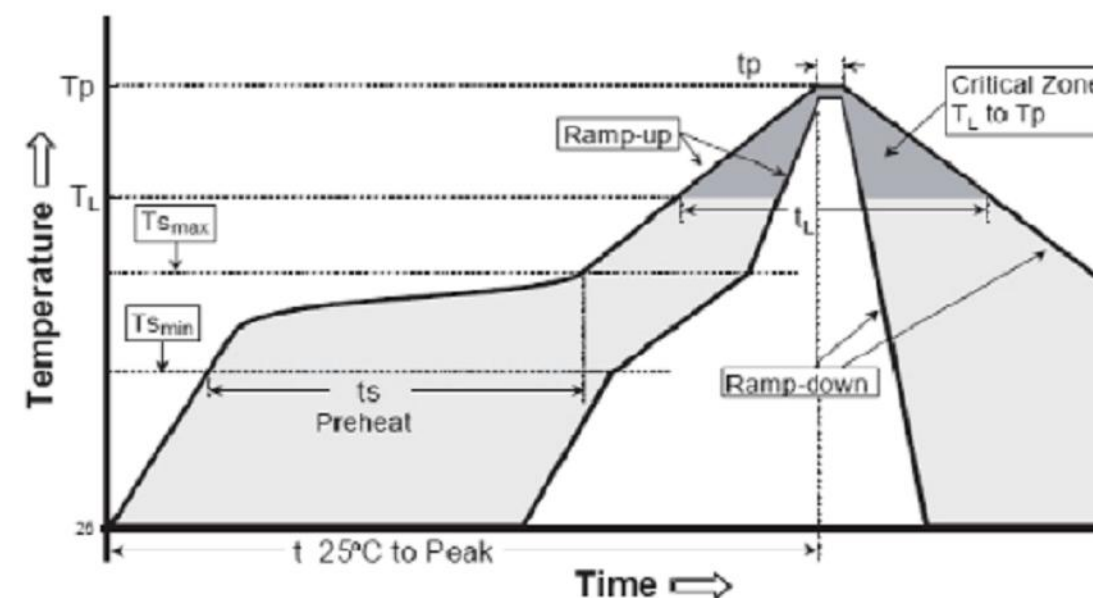


MARK	DEFINITION	CONDITION
$T_{S_{max}}$	Maximum of pre-heating temperature	200 °C
$T_{S_{min}}$	Minimum of pre-heating temperature	150 °C
T_s	Time form $T_{S_{min}}$ to $T_{S_{max}}$	60-120 sec
T_L	Reference temperature	217 °C
t_L	Retention time for T_L	within 80s
T_p	Peak Temperature	245 °C
t_p	Time for peak temperature	within 20s
DTr/Dt	Temperature rising rate	under 3° C/sec
DTd/Dt	Temperature decreasing rate	under -3° C/sec
t	25°C to t_p	480s

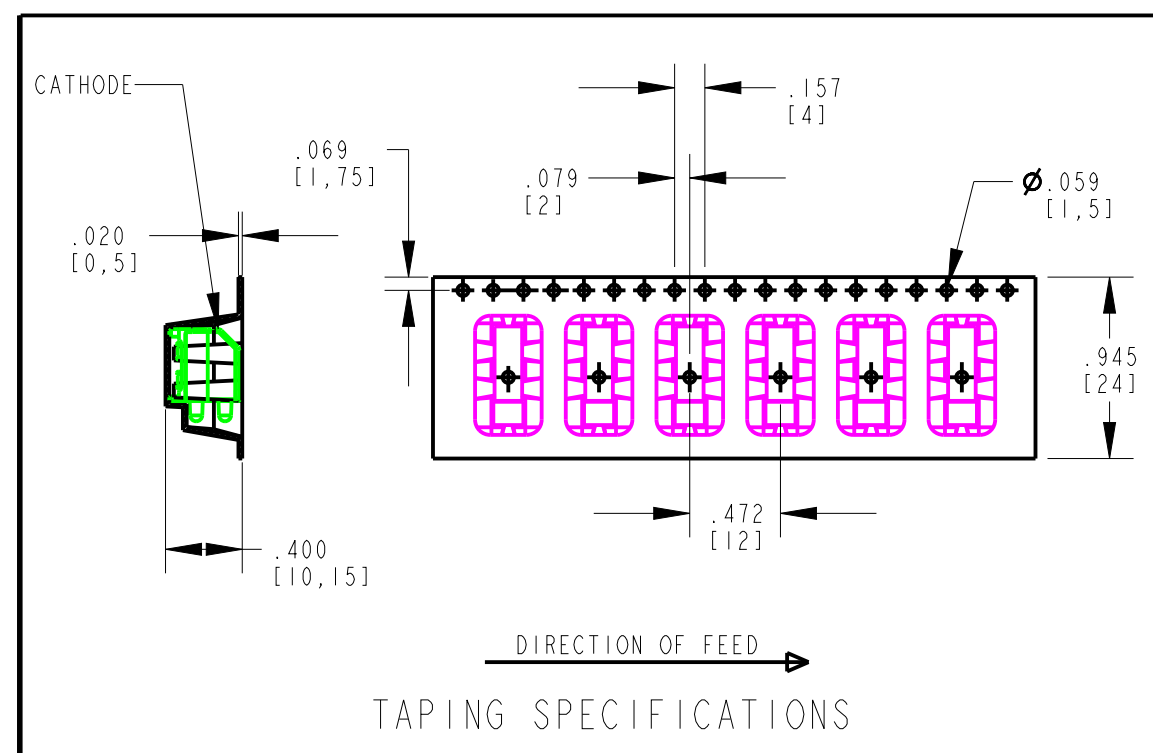


20mA LED
RECOMMENDED RoHS SOLDER PROFILE

SMT Reflow Soldering Instructions SMT



MARK	DEFINITION	CONDITION
$T_{S_{max}}$	Maximum of pre-heating temperature	200 °C
$T_{S_{min}}$	Minimum of pre-heating temperature	150 °C
T_s	Time form $T_{S_{min}}$ to $T_{S_{max}}$	60-120 sec
T_L	Reference temperature	217 °C
t_L	Retention time for T_L	within 60s
T_p	Peak Temperature	260 °C
t_p	Time for peak temperature	within 10s
DTr/Dt	Temperature rising rate	under 3° C/sec
DTd/Dt	Temperature decreasing rate	under -3° C/sec
t	25°C to t_p	480s



THIS DRAWING AND THE CONTENTS HEREIN ARE CONFIDENTIAL AND THE SOLE PROPERTY OF DIALIGHT CORP. REPRODUCTION OF THIS DRAWING OR CONSTRUCTION OF ANY PARTS WITHIN THIS DRAWING ARE FORBIDDEN WITHOUT THE WRITTEN CONSENT OF DIALIGHT CORP.		
DIALIGHT CORP. INTERNAL REFERENCE ONLY - 3D MODEL: 396212XXXX-A.16		
SCALE: 6.000	DRAWING NUMBER	REV
ALL DIM'S IN: INCHES (MM)	C-18463	C
TOLERANCES: UNLESS OTHERWISE SPECIFIED	TITLE	
FRACTIONS: ±1/64	1,6MM BI-LEVEL PRISM	
DECIMALS (.XX): ±.01	MATERIAL	
DECIMALS (.XXX): ±.005		
DECIMALS (.XXXX): ±.0005		
ANGLES: ±1°		
FINISH	Dialight	
FSCM 83330	1501 ROUTE 34 SOUTH FARMINGDALE, NJ 07727 (732) 919-3119 www.dialight.com	
SHEET 2 OF 2	FAMILY TABLE:	