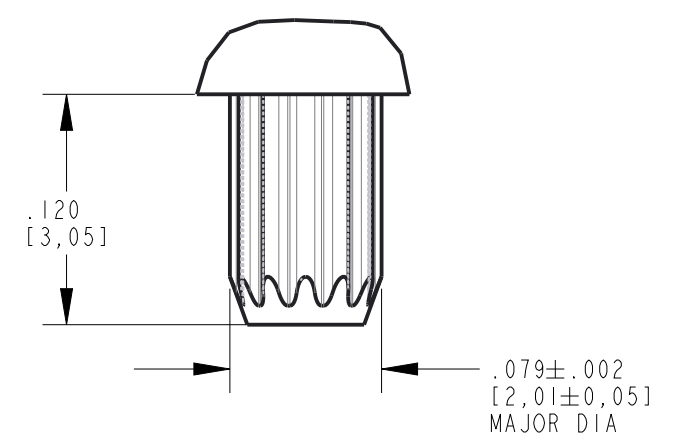
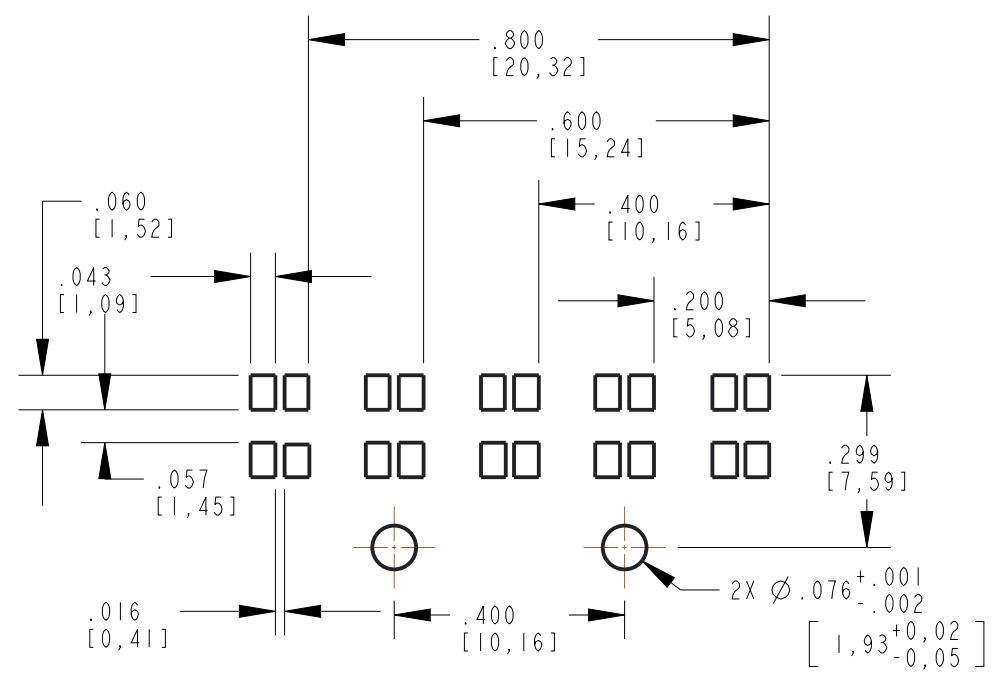
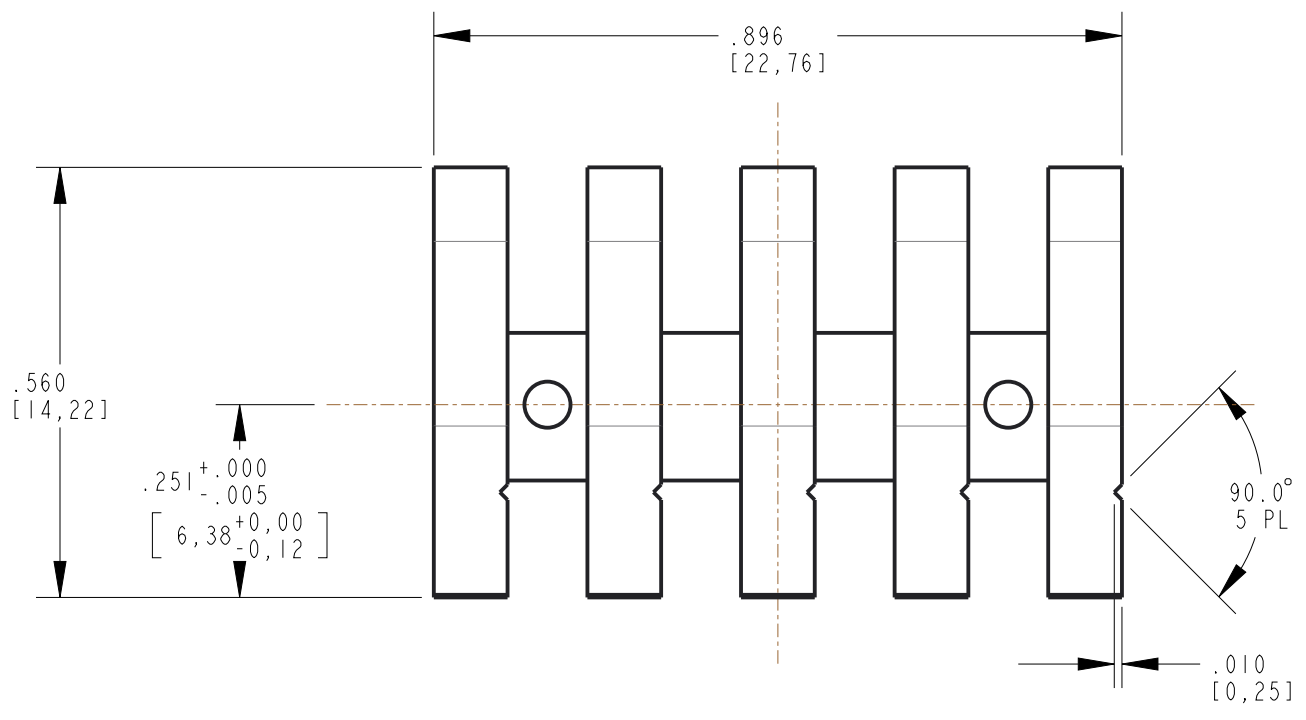
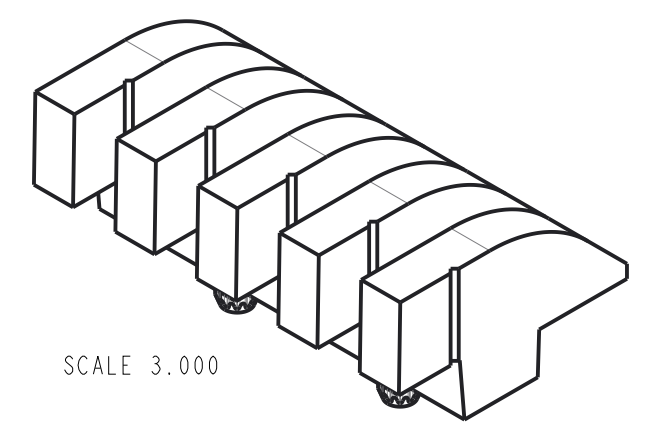
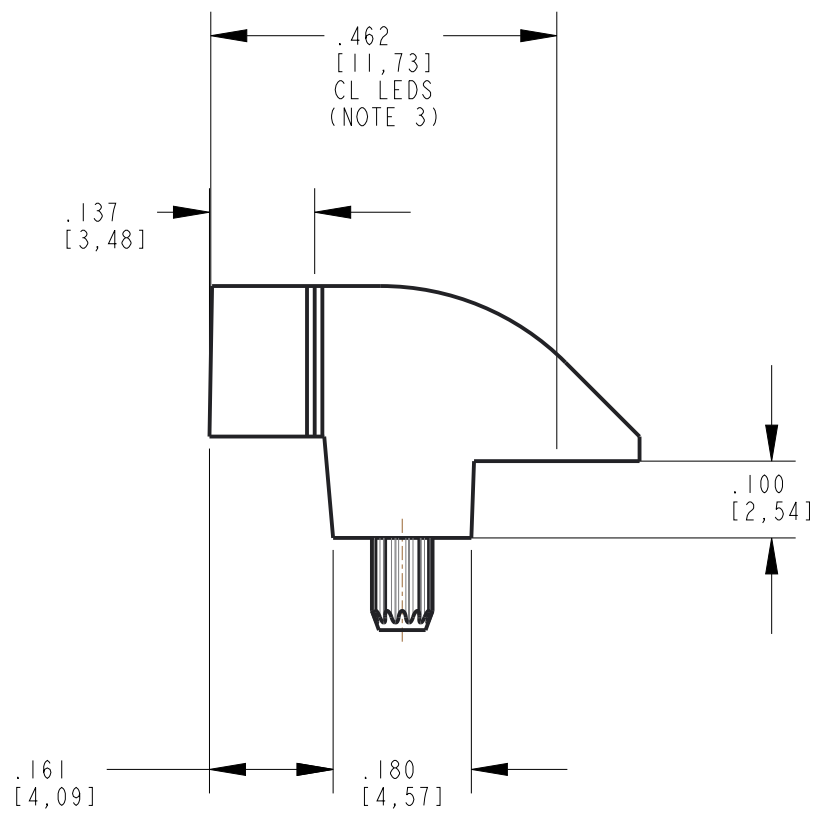
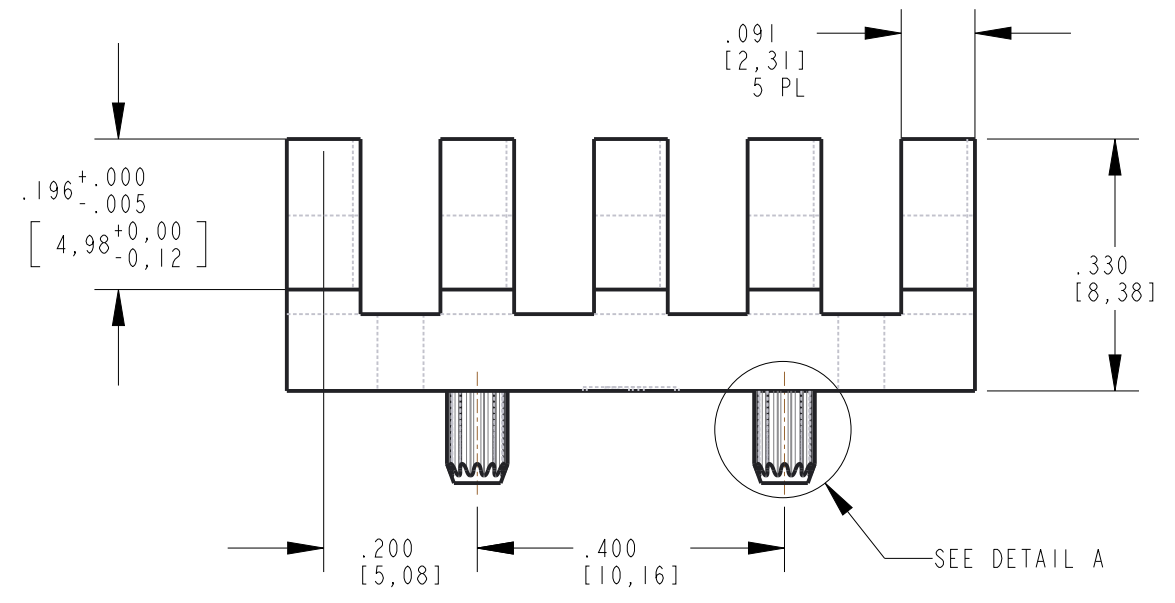


REV	ECN NO	REVISIONS	DRN	CKD	APP	QA	CM	DATE
A	98593	NEW RELEASE	LD		CS			10-18-22



RECOMMENDED SOLDER PAD AND HOLES LAYOUT

DETAIL A
SCALE 10.000



SCALE 3.000

NOTES:

1. DIALIGHT P/N: 515-1029F.
2. COMPONENT TO BE MOLDED IN A CLEAR TRANSMISSIVE POLYCARBONATE.
3. RECOMMENDED POSITION OF LED.
4. A "V" GROOVE WILL ALLOW FOR REMOVAL OF FRONT PORTION OF PIPES.

THIS DRAWING AND THE CONTENTS HEREIN ARE CONFIDENTIAL AND THE SOLE PROPERTY OF DIALIGHT CORP. REPRODUCTION OF THIS DRAWING OR CONSTRUCTION OF ANY PARTS WITHIN THIS DRAWING ARE FORBIDDEN WITHOUT THE WRITTEN CONSENT OF DIALIGHT CORP.		
DIALIGHT CORP. INTERNAL REFERENCE ONLY = 3D MODEL : 5151029F-A.4		
SCALE: 4.000	DRAWING NUMBER	REV
ALL DIM'S: INCH (mm)	C-18573	A
TOLERANCES: UNLESS OTHERWISE SPECIFIED	TITLE	
FRACTIONS: ±1/64	5 ELEMENT LIGHTPIPE	
DECIMALS (.XX): ±.01	MATERIAL	
DECIMALS (.XXX): ±.005	SEE BOM	
DECIMALS (.XXXX): ±.0005	FINISH	
ANGLES: ±1°	Dialight	
	1501 ROUTE 34 SOUTH FARMINGDALE, NJ 07727 (732) 919-3119 www.dialight.com	
FSCM 83330	SHEET 1 OF 1	FAMILY TABLE: