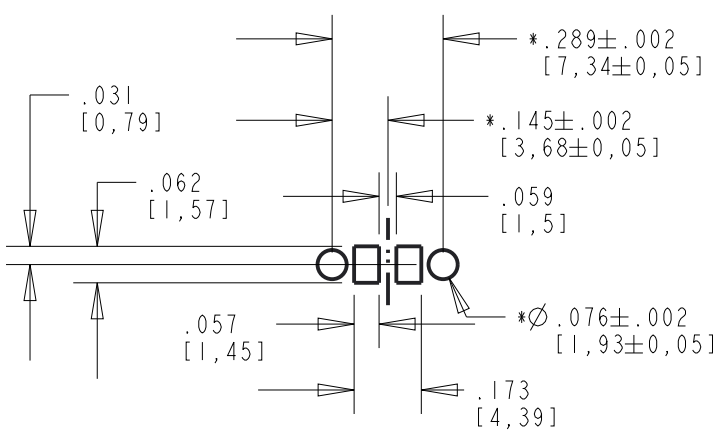
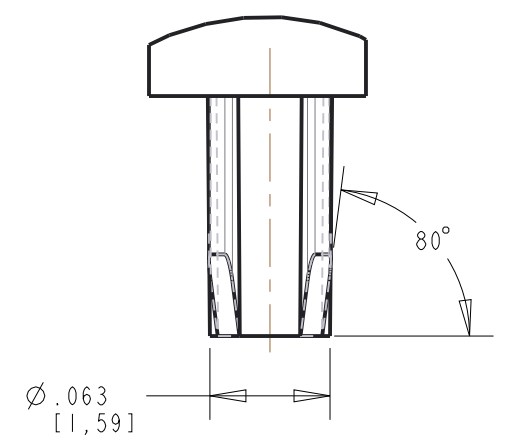
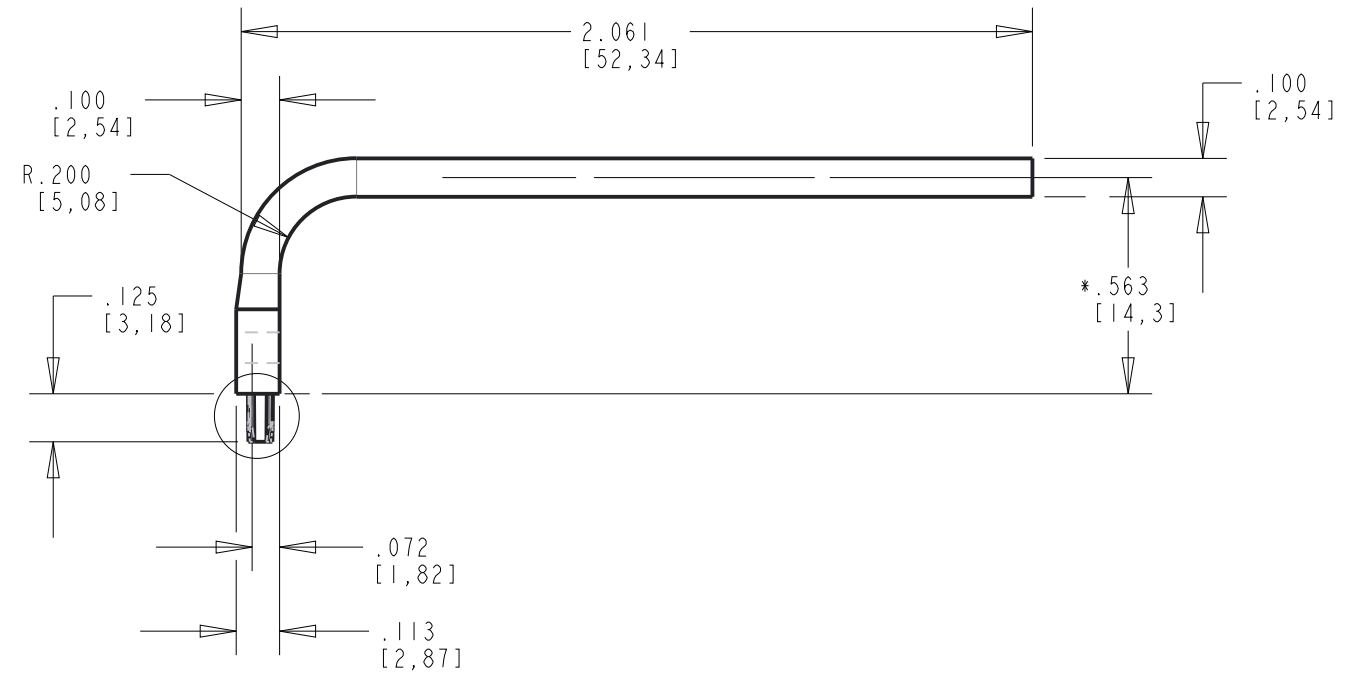
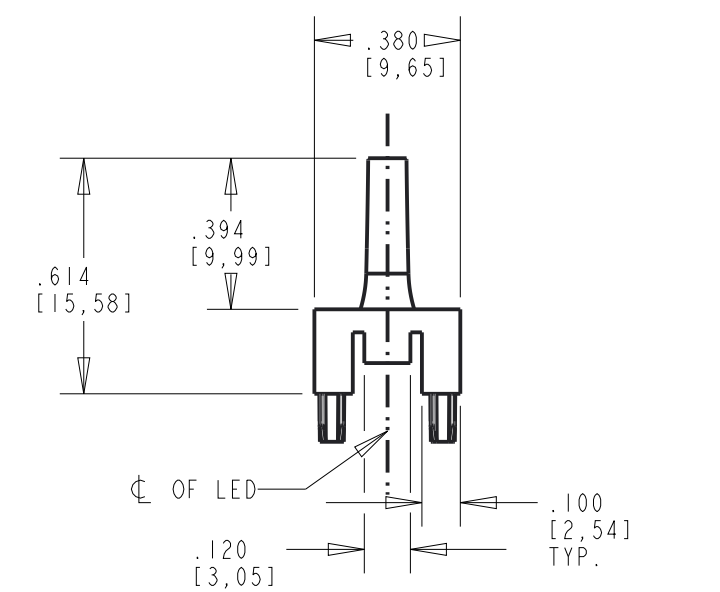
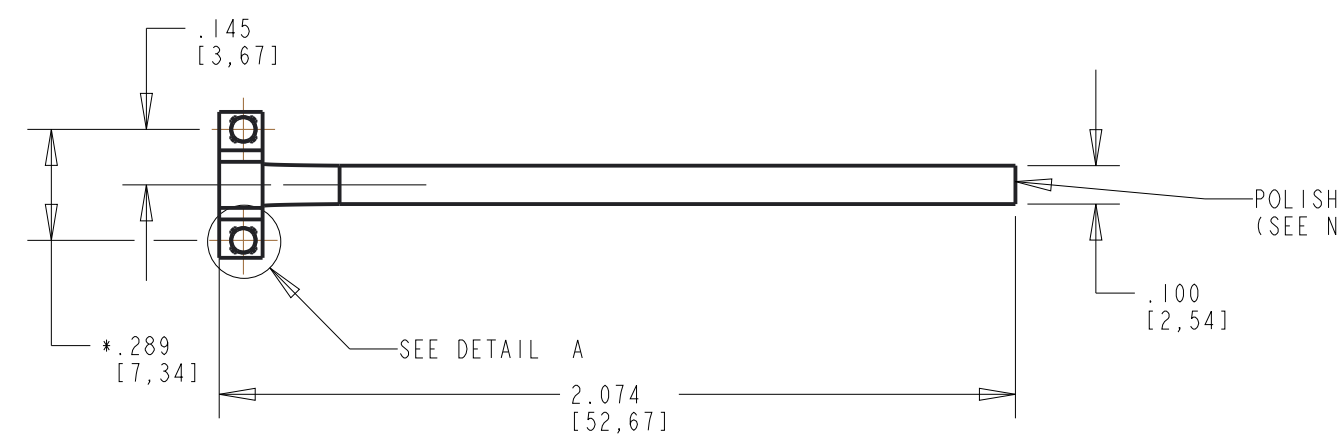


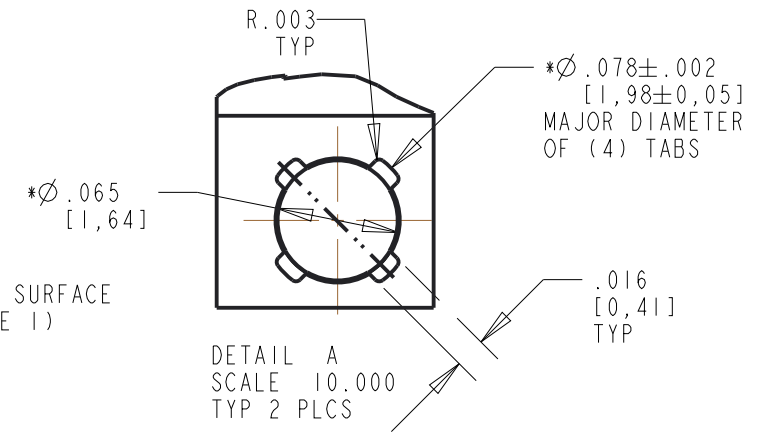
REV	ECN NO	REVISIONS	DRN	CKD	APP	QA	CM	DATE
A	95333	NEW RELEASE	LD		CS			7-12-22



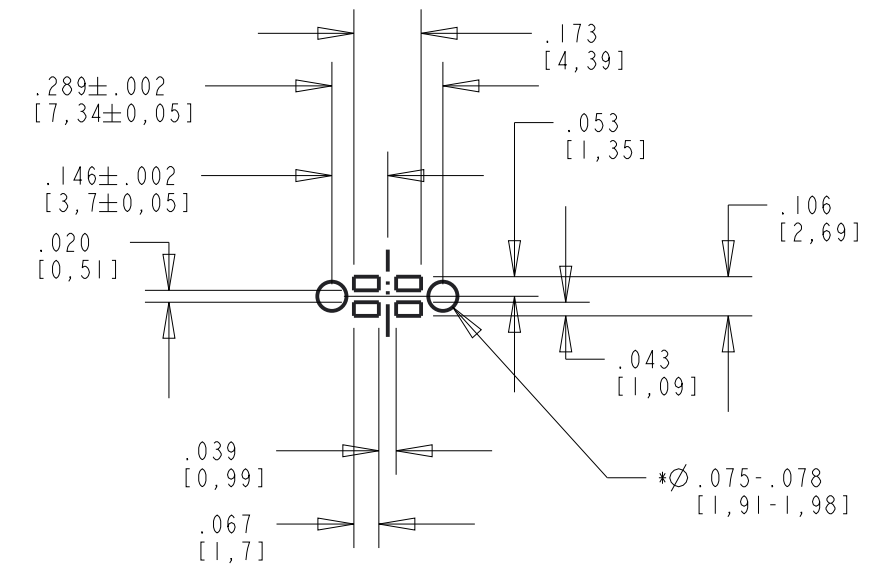
SOLDER PAD/HOLES LAYOUT
(SINGLE COLOR SMT LEDS SHOWN)



POLISHED SURFACE
(SEE NOTE 1)

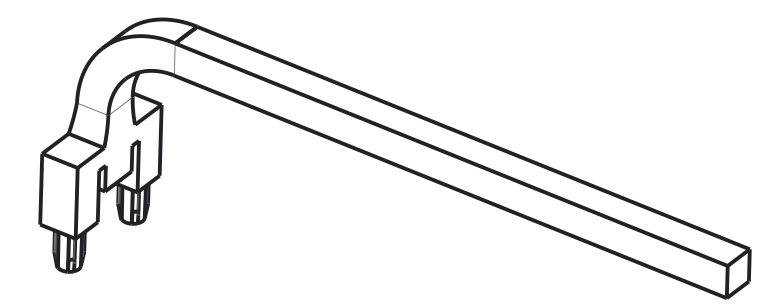


DETAIL A
SCALE 10.000
TYP 2 PLCS



SOLDER PAD/HOLES LAYOUT
(BI-COLOR SMT LEDS SHOWN)

- NOTES:
1. DIALIGHT P/N 515-1111F
 2. DIALIGHT SUGGESTED SMT LEDs:
SINGLE 597-3XXI-5XXF
BI-COLOR 597-77XI-5XXF.
 3. COMPONENT DESIGNED TO BE PRESSED INTO P.C. BOARD
 4. MATERIAL TO BE CLEAR TRANSMISSIVE POLYCARBONATE
(UL 94V-0 FLAMMABILITY)
 5. * DENOTES CRITICAL DIMENSION OR SPECIFICATION



THIS DRAWING AND THE CONTENTS HEREIN ARE CONFIDENTIAL AND THE SOLE PROPERTY OF DIALIGHT CORP. REPRODUCTION OF THIS DRAWING OR CONSTRUCTION OF ANY PARTS WITHIN THIS DRAWING ARE FORBIDDEN WITHOUT THE WRITTEN CONSENT OF DIALIGHT CORP.		
DIALIGHT CORP. INTERNAL REFERENCE ONLY = 3D MODEL : 5151111-D.3		
SCALE: 1.000	DRAWING NUMBER	REV
ALL DIM's: INCH (mm)	C-18574	A
TOLERANCES: UNLESS OTHERWISE SPECIFIED	TITLE SINGLE ELEMENT LIGHTPIPE	
FRACTIONS: ±1/64 DECIMALS (.XX): ±.01 DECIMALS (.XXX): ±.005 DECIMALS (.XXXX): ±.0005 ANGLES: ±1°	MATERIAL	
FINISH		
FSCM 83330	1501 ROUTE 34 SOUTH FARMINGDALE, NJ 07727 (732) 919-3119 www.dialight.com	
SHEET 1 OF 1	FAMILY TABLE:	