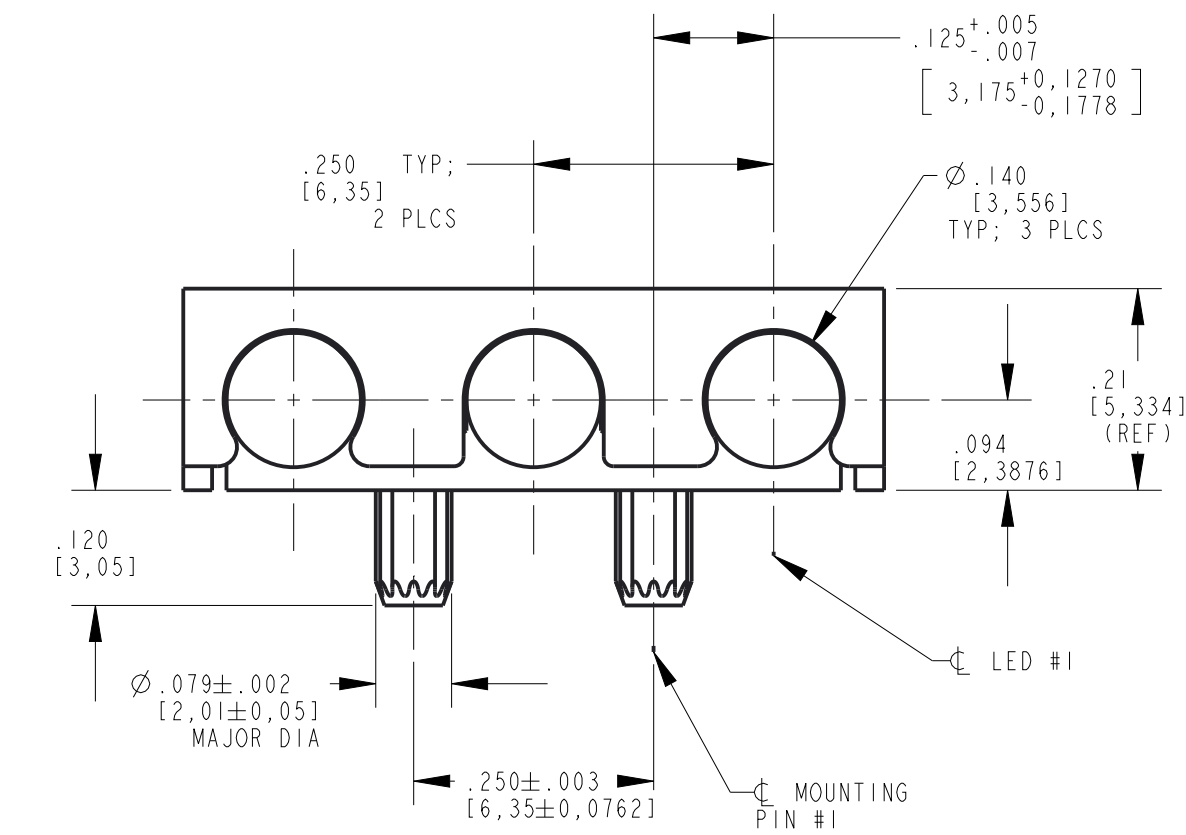
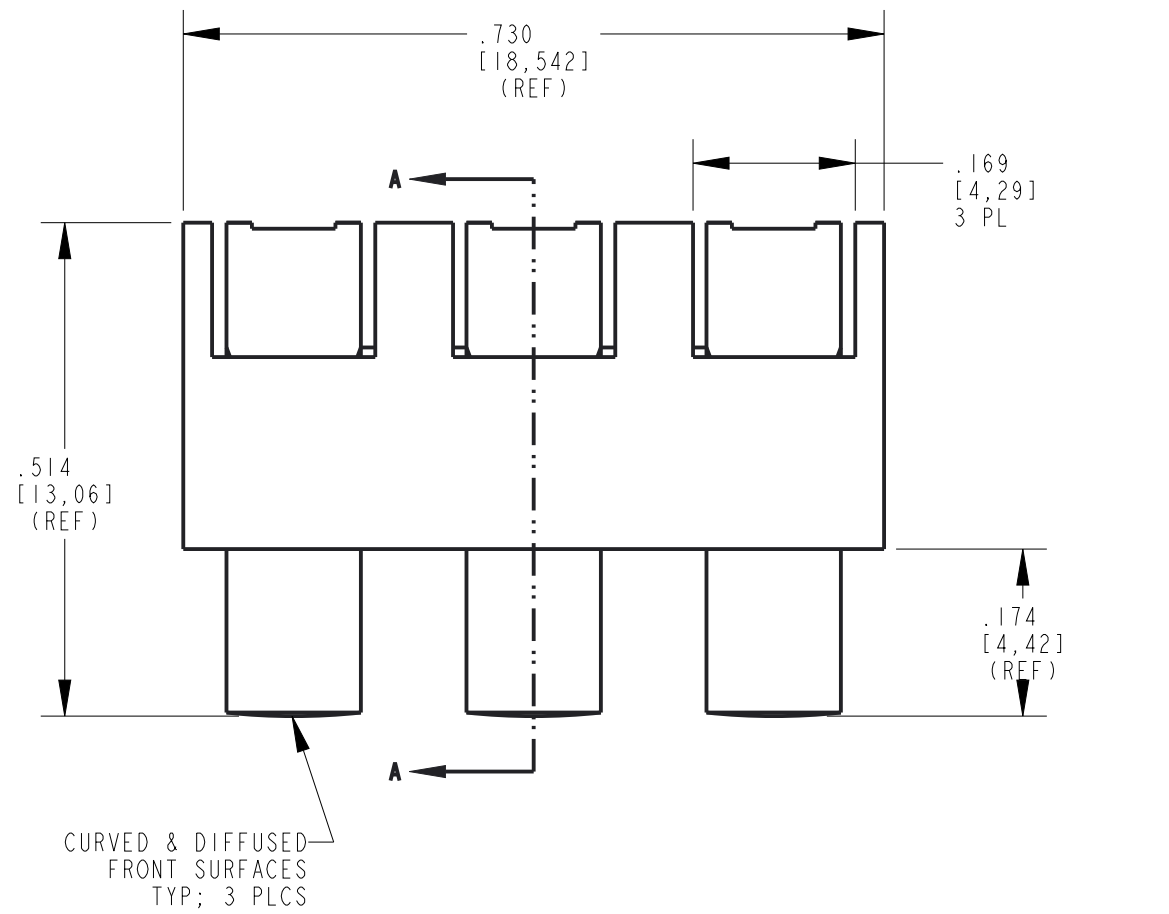
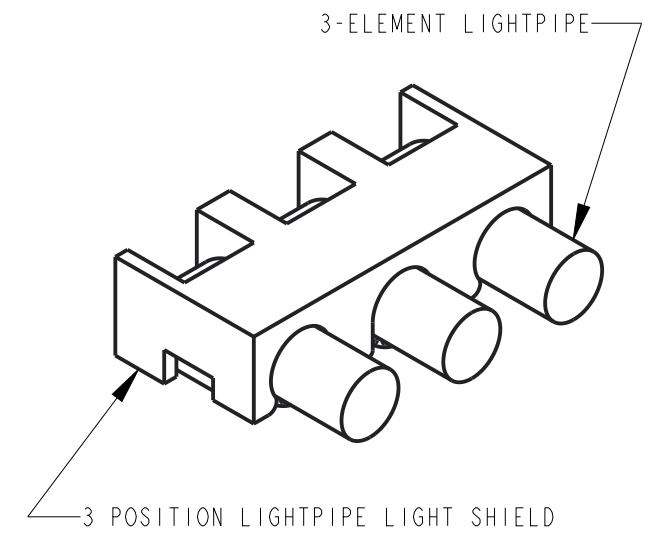
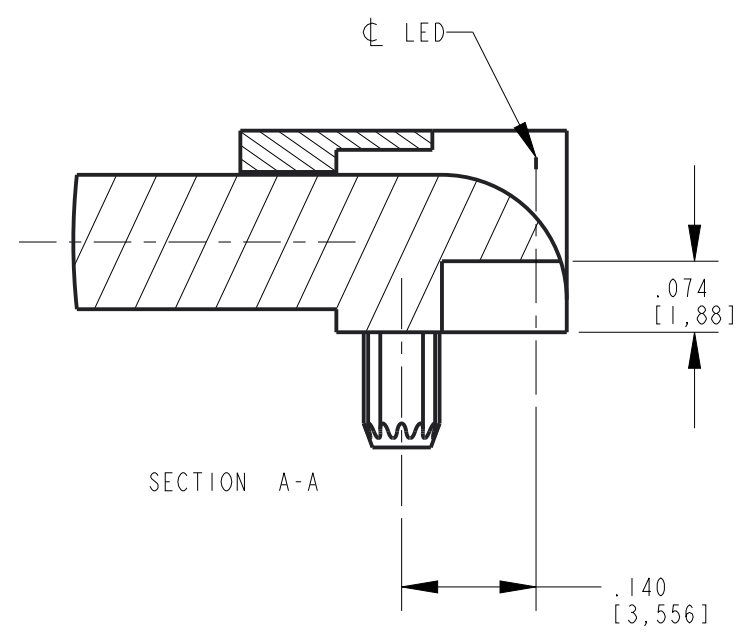
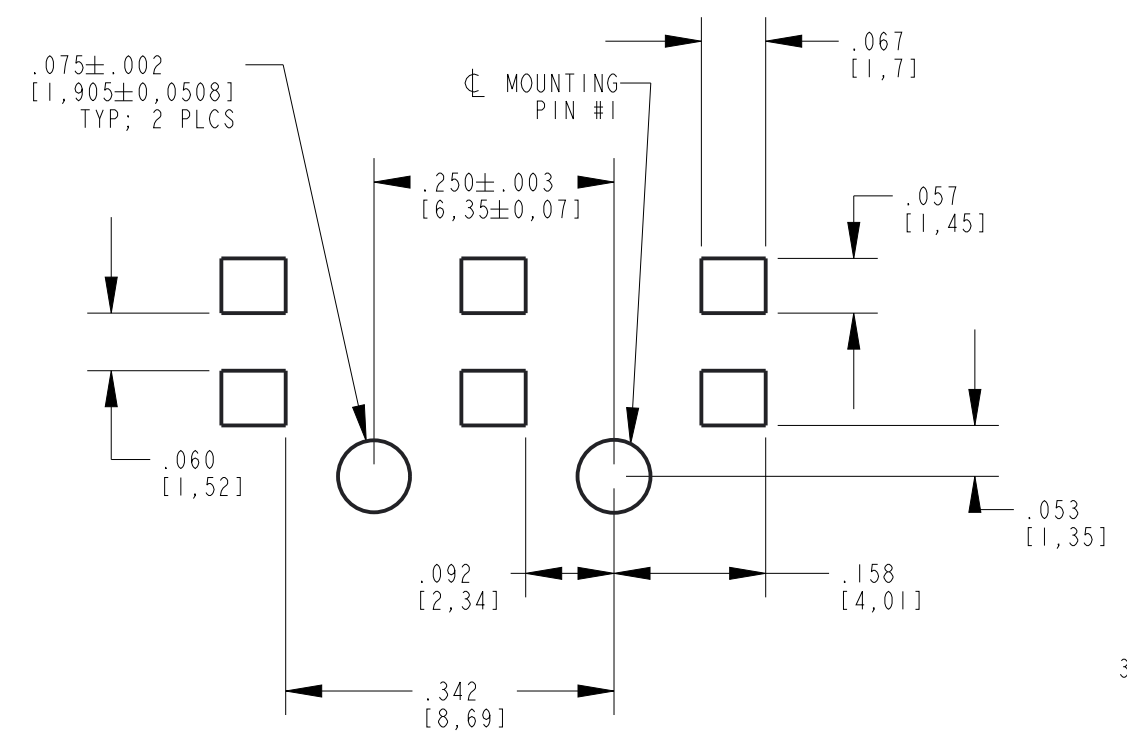



REV	ECN NO	REVISIONS	DRN	CKD	APP	DATE
A	96540	NEW RELEASE	LD		NO	8-18-22
B	102982	ADDED NOTE 3 & HOLE WAS $\varnothing .076 \pm .002$	LD		NO	5-16-23



SOLDER PAD/HOLES LAYOUT



- NOTES:
1. ASSEMBLY CONSISTS OF 3-ELEMENT LIGHTPIPE (P/N: 515-1020-802F) AND 3 POSITION BLACK LIGHTPIPE LIGHT SHIELD.
  2. DIALIGHT PART NUMBER: 515-1020-805F.
  3. RECOMMENDED SURFACE MOUNT DIALIGHT LEDs: 599-04XX-127F (SINGLE COLOR)

THIS DRAWING AND THE CONTENTS HEREIN ARE CONFIDENTIAL AND THE SOLE PROPERTY OF DIALIGHT CORP. REPRODUCTION OF THIS DRAWING OR CONSTRUCTION OF ANY PARTS WITHIN THIS DRAWING ARE FORBIDDEN WITHOUT THE WRITTEN CONSENT OF DIALIGHT CORP.		
DIALIGHT CORP. INTERNAL REFERENCE ONLY = 3D MODEL : 5151020805-B.7		
SCALE: 5.000	DRAWING NUMBER	REV
ALL DIM'S: INCH (mm)	<b>C-18588</b>	<b>B</b>
TOLERANCES: UNLESS OTHERWISE SPECIFIED	TITLE <b>3 ELEMENT LIGHTPIPE W/ SHIELD</b>	
FRACTIONS: $\pm 1/64$	MATERIAL	
DECIMALS (.XX): $\pm .01$	 1501 ROUTE 34 SOUTH FARMINGDALE, NJ 07727 (732) 919-3119 www.dialight.com	
DECIMALS (.XXX): $\pm .005$		
DECIMALS (.XXXX): $\pm .0005$		
ANGLES: $\pm 1^\circ$	FINISH	
FSCM 83330	SHEET 1 OF 1 FAMILY TABLE:	