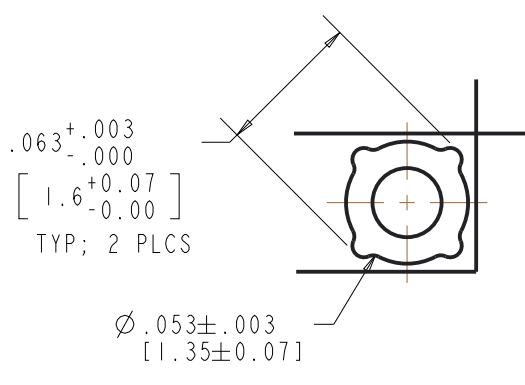
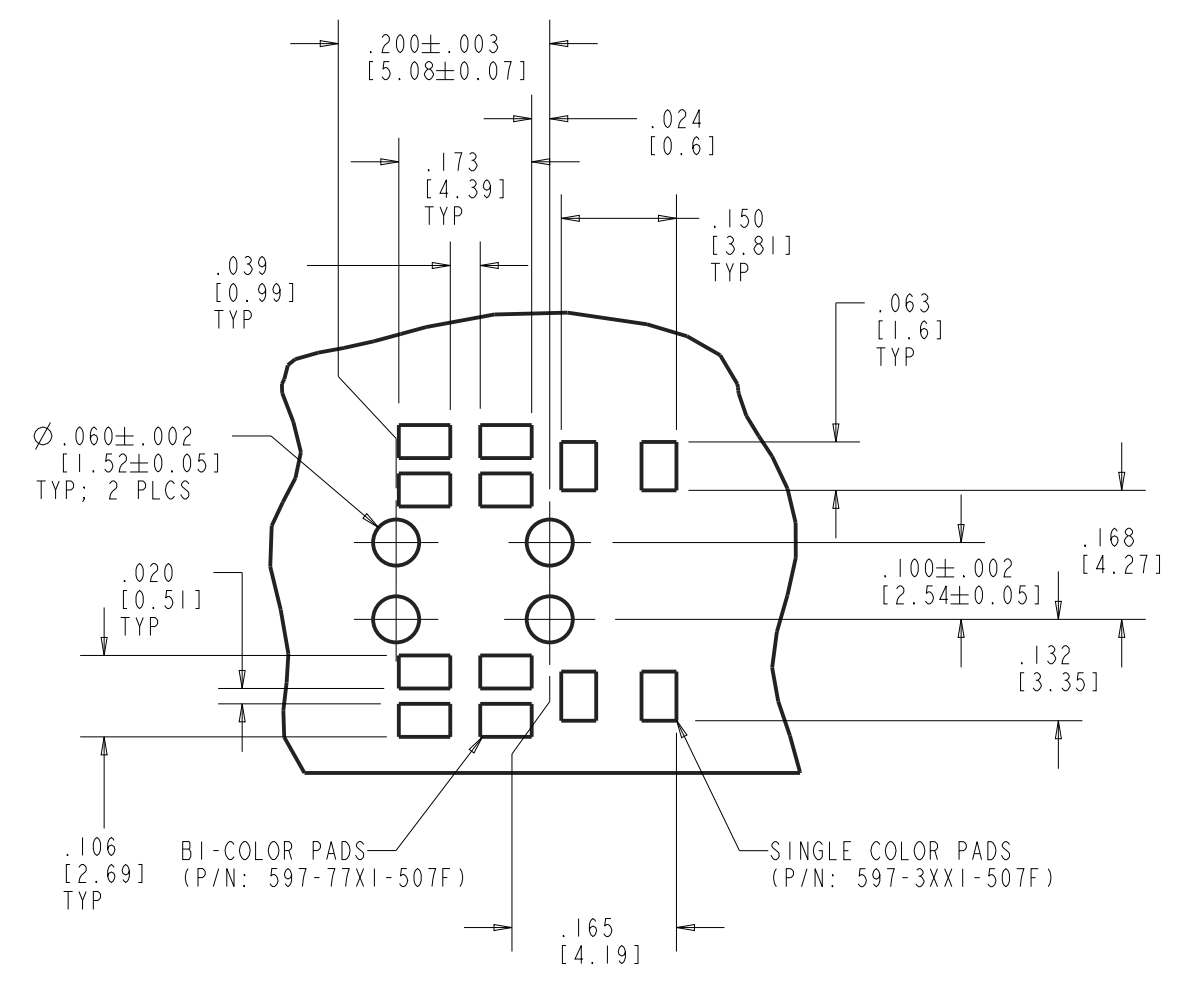
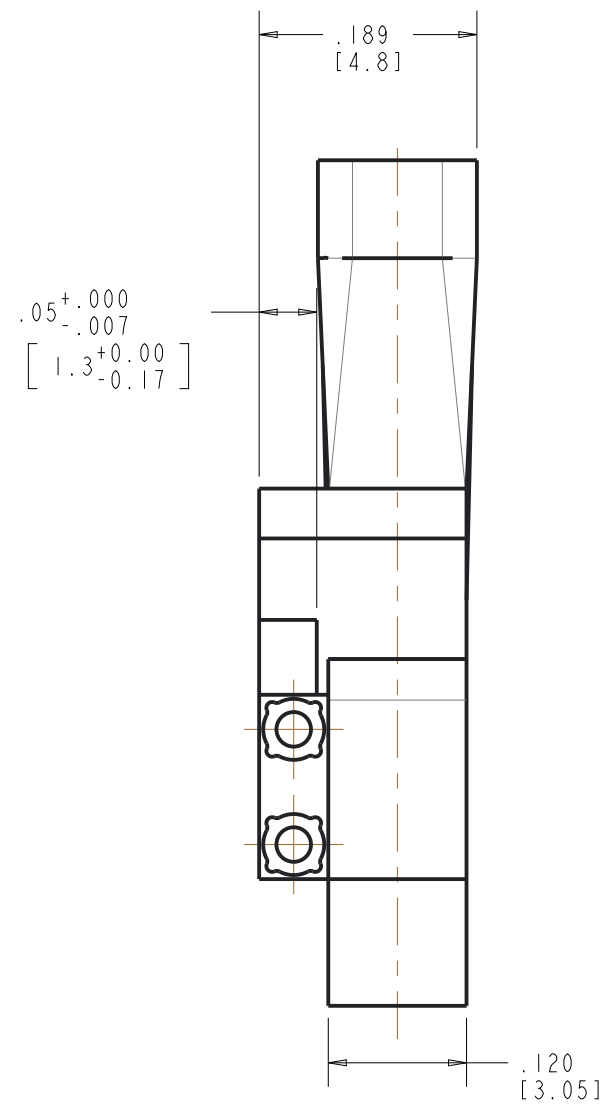
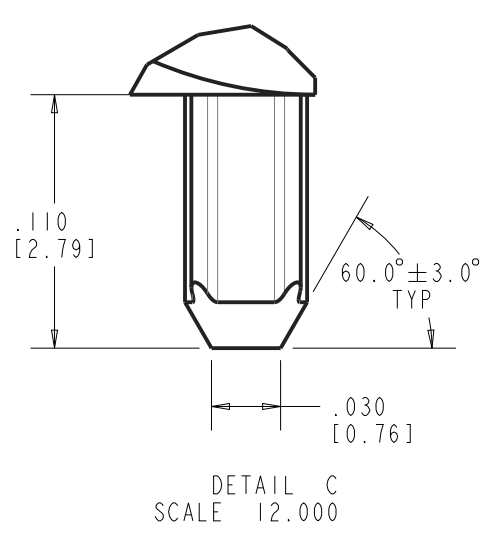
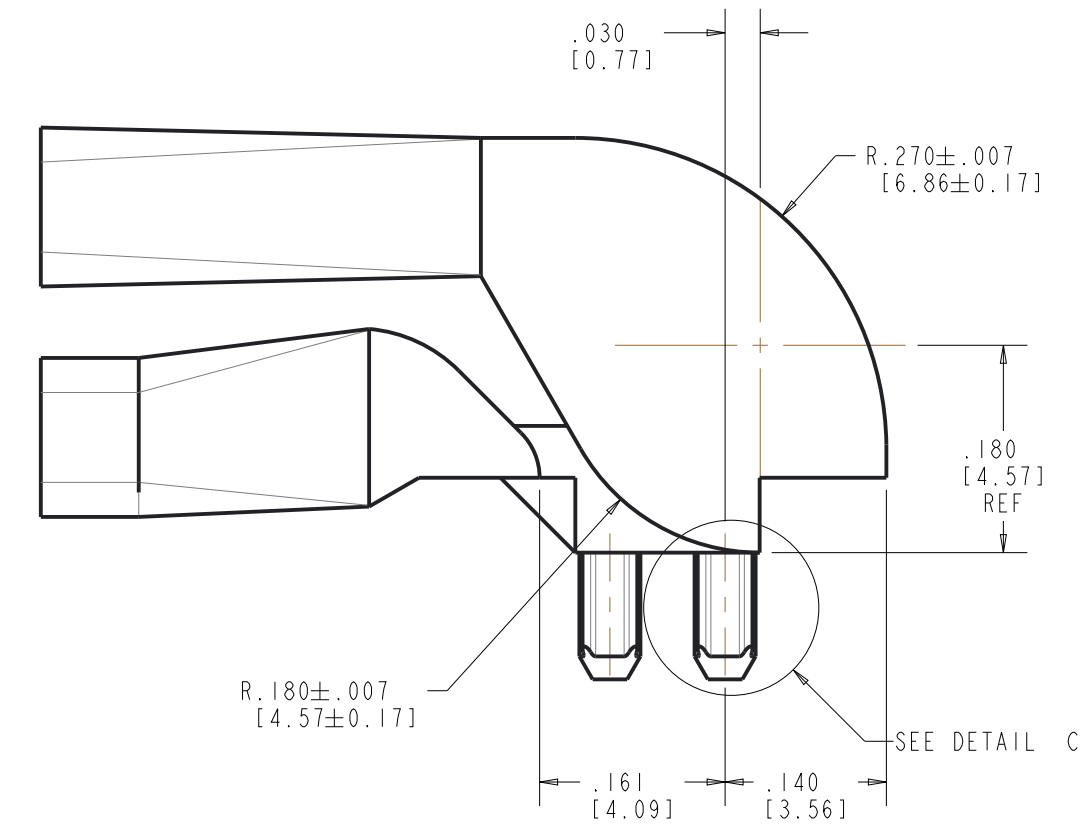
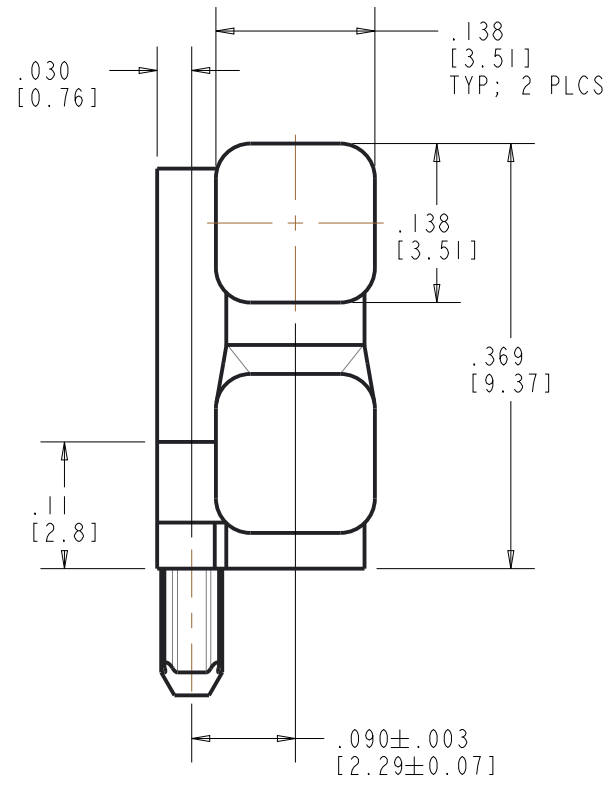
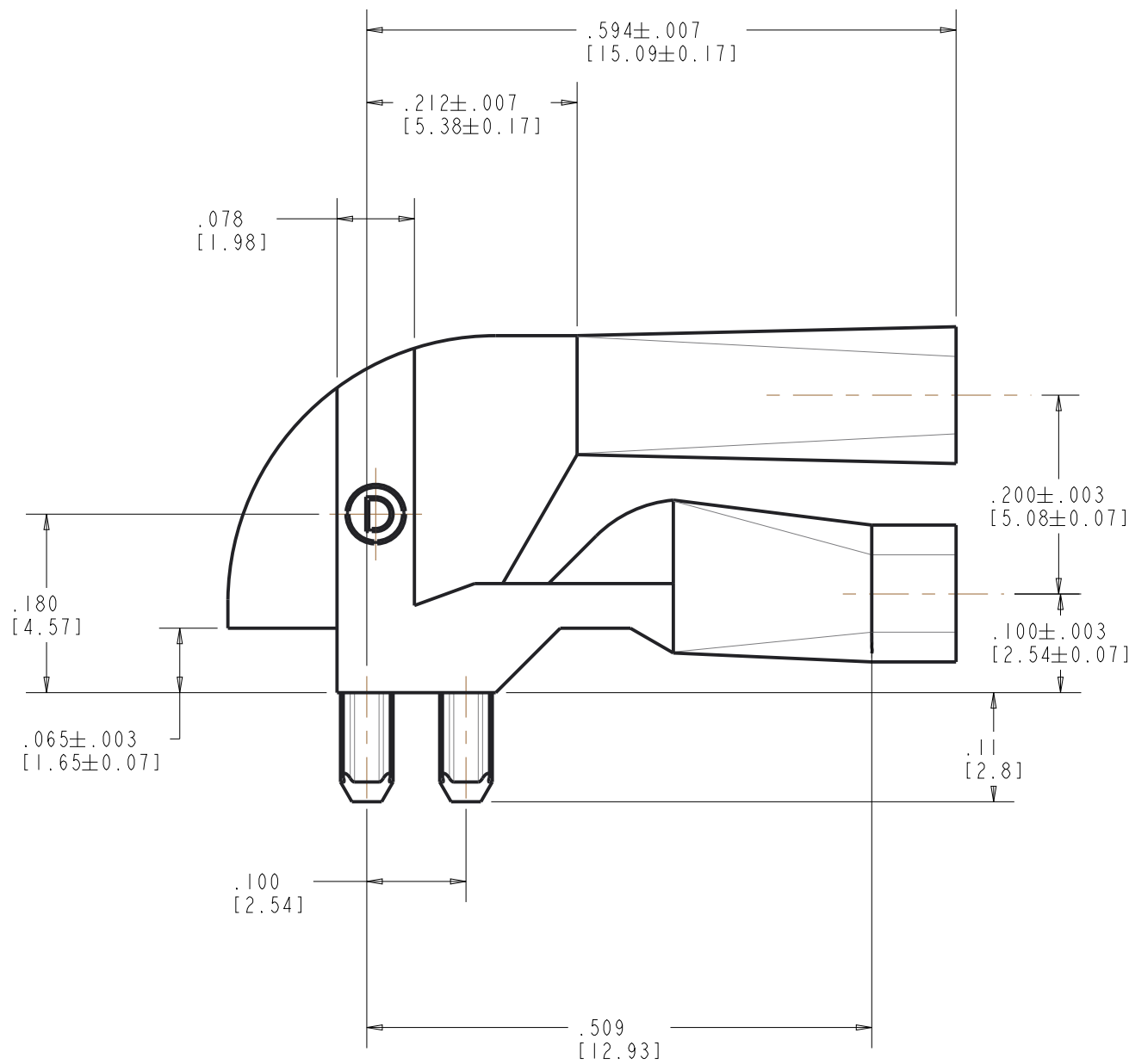



REV	ECN NO	REVISIONS	DRN	CKD	APP	QA	CM	DATE
A	100644	NEW RELEASE	LD		CS			12-15-22



NOTES:

- COMPONENTS TO BE MOLDED IN A CLEAR TRANSMISSIVE POLYCARBONATE (UL 94V-0 FLAMMABILITY).
- MINIMUM ALLOWABLE PITCH IS .200 FOR EITHER BI-COLOR OR SINGLE.
- COMPONENTS DESIGNED TO BE PRESSED INTO P.C. BOARD.
- OPERATING/STORAGE TEMPERATURE: -30°C TO +100°C
- RECOMMENDED LIGHT SOURCES: SINGLE OR BI-COLOR SMT LEDS (DIALIGHT P/N'S: 597-3XX1-50XF, 597-77X1-50XF)
- DIALIGHT PART NUMBER: 515-1094-803F

THIS DRAWING AND THE CONTENTS HEREIN ARE CONFIDENTIAL AND THE SOLE PROPERTY OF DIALIGHT CORP. REPRODUCTION OF THIS DRAWING OR CONSTRUCTION OF ANY PARTS WITHIN THIS DRAWING ARE FORBIDDEN WITHOUT THE WRITTEN CONSENT OF DIALIGHT CORP.		
SCALE: 3.000	DRAWING NUMBER	REV
ALL DIM'S IN: INCHES (MM)	C-18644	A
TOLERANCES: UNLESS OTHERWISE SPECIFIED	TITLE BI-LEVEL LIGHT PIPE (EXTENDED) SQUARE OUTPUT, RoHS COMPLIANT	
FRACTIONS: ±1/64	MATERIAL	
DECIMALS (.XX): ±.01	FINISH	
DECIMALS (.XXX): ±.005	FSCM 83330	
DECIMALS (.XXXX): ±.0005	SHEET 1 OF 1 FAMILY TABLE:	
ANGLES: ±1°	 1501 ROUTE 34 SOUTH FARMINGDALE, NJ 07727 (732) 919-3119 www.dialight.com	