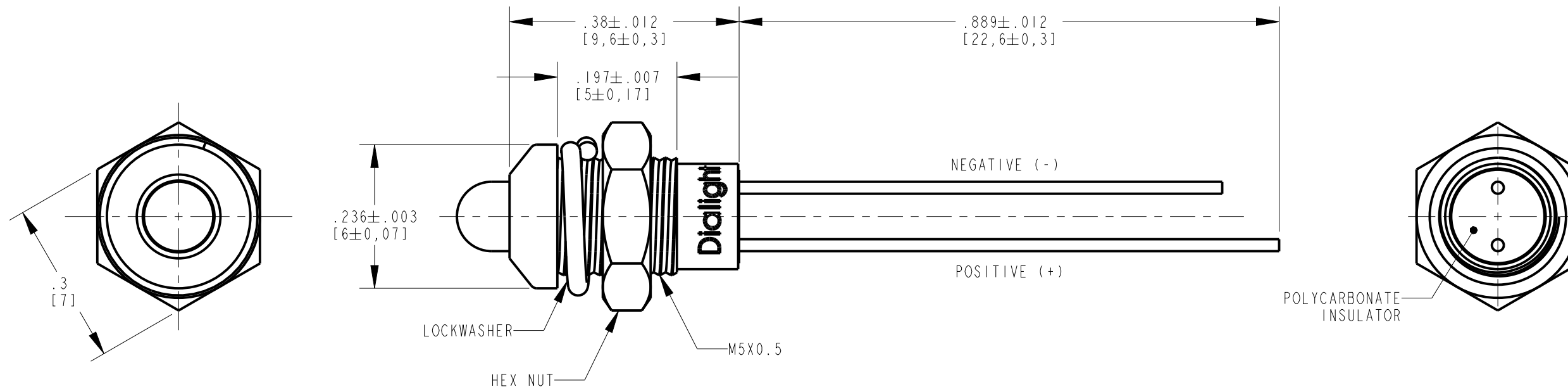


DIALIGHT PART NO.	OPERATING VOLTAGE	EMITTED COLOR	LENS COLOR
605-1111-110F	2 VOLT	RED	WATER CLEAR
605-1211-110F	3 VOLT	GREEN	
605-1311-110F	2 VOLT	YELLOW	

REV	ECN NO	REVISIONS	DRN	CKD	APP	DATE
A	114684	REDRAWN IN CAD, UPDATE LED SPECS. TABLE	JSG	JY	JV	12FEB24



NOTES:

1. MOUNTING HOLE SIZE: \varnothing 5.2MM (0.205")
2. MAXIMUM PANEL THICKNESS: 3,5MM (0.138")
3. MATERIALS:
 - 3.1 HOUSING: CHROME PLATED BRASS.
 - 3.2 MOUNTING HEX NUT: BRASS, NICKEL PLATED.
 - 3.3 SPLIT LOCK WASHER: STEEL, NICKEL PLATED.
 - 3.4 INSULATOR: POLYCARBONATE, COLOR: BLACK
4. SOLDERABILITY: PER ANSI/IPC-S-805, METHOD A.

LED CHARACTERISTICS TABLE

ABSOLUTE MAXIMUM RATINGS AT TA =25°C						(IF=20mA) ELCTRO-OPTICAL CHARACTERISTIC						
COLOR	FORWARD CURRENT IF (mA)	PEAK FORWARD CURRENT IFp (mA)	POWER DISSIPATION (mW)	OPERATING TEMPERATURE (C)	STRORAGE TEMPERATURE (C)	FORWARD VOLTAGE VF (mA)		LUMINOUS INTENSITY Iv (mcd)		WAVELENGTH (nm)		VIEWING ANGLE (DEGREES)
						MIN.	MAX.	MIN.	MAX.	MIN.	MAX.	
RED	30	100	72	-40 TO +85	-40 TO +100	1.8	2.4	460	780	620	630	160
GREEN	30	100	108	-40 TO +85	-40 TO +100	2.8	3.2	2000	3000	520	530	100
YELLOW	30	100	72	-40 TO +85	-40 TO +100	1.8	2.4	460	780	588	594	150

THIS DRAWING AND THE CONTENTS HEREIN ARE CONFIDENTIAL AND THE SOLE PROPERTY OF DIALIGHT CORP. REPRODUCTION OF THIS DRAWING OR CONSTRUCTION OF ANY PARTS WITHIN THIS DRAWING ARE FORBIDDEN WITHOUT THE WRITTEN CONSENT OF DIALIGHT CORP.

DIALIGHT CORP. INTERNAL REFERENCE ONLY = 3D MODEL : 6781X3111XF.ASM-A.5

SCALE: 5.000	DRAWING NUMBER	REV
ALL DIM'S: INCH (mm)	C-18646	A
TOLERANCES: UNLESS OTHERWISE SPECIFIED	TITLE 5MM PROTUDE PMI LED LEADS ONLY	
FRACTIONS: \pm 1/64 DECIMALS (.XX): \pm .01 DECIMALS (.XXX): \pm .005 DECIMALS (.XXXX): \pm .0005 ANGLES: \pm 1°	MATERIAL SEE NOTES	
FINISH SEE NOTES		
FSCM 83330	1501 ROUTE 34 SOUTH FARMINGDALE, NJ 07727 (732) 919-3119 www.dialight.com	
SHEET 1 OF 1	FAMILY TABLE:	