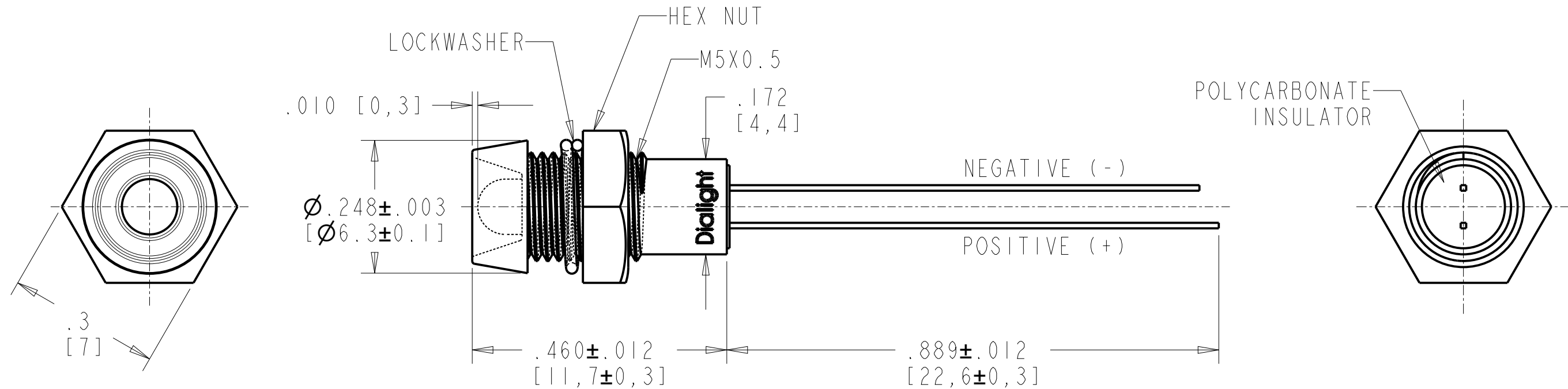


DIALIGHT PART NO.	OPERATING VOLTAGE	EMITTED COLOR	LENS COLOR
605-2111-110F	2 VOLT	RED	WATER CLEAR
605-2211-110F	3 VOLT	GREEN	
605-2311-110F	2 VOLT	YELLOW	
605-2411-110F	3 VOLT	BLUE	
605-2511-110F	3 VOLT	WHITE	

REV	ECN NO	REVISIONS	DRN	CKD	APP	DATE
A	114684	REDRAWN IN CAD, UPDATE LED SPECS. TABLE	JSG	JY	JV	12FEB24



NOTES:

1. MOUNTING HOLE SIZE :  $\varnothing 5.2\text{MM}$  (0.205")
2. MAXIMUM PANEL THOCKNESS : 3.5MM (0.138")
3. MATERIALS:
  - 3.1 HOUSING: CHROME PLATED BRASS
  - 3.2 MOUNTING HEX NUT: BRASS, NICKEL PLATED.
  - 3.3 SPLIT LOCK WASHER: STEEL, NICKEL PLATED.
  - 3.4 INSULATOR: POLYCARBONATE, COLOR: BLACK
4. SOLDERABILITY : PER ANSI/IPC-S-805,METHOD A

LED CHARACTERISTICS TABLE

COLOR	ABSOLUTE MAXIMUM RATINGS					(IF=20mA)ELCTRO-OPTICAL CHARACTERISTIC							
	FORWARD CURRENT $I_F$ (mA)	REVERSE VOLTAGE $V_R$ (V)	POWER DISSIPATION PD(mW)	OPERATING TEMPERATURE $T_{opr}$ (°C)	STORAGE TEMPERATURE $T_{stg}$ (°C)	FORWARD VOLTAGE $V_F$ (V)		REVERSE CURRENT $I_R$ (uA)	LUMINOUS INTENSITY $I_v$ (mcd)		WAVELENGTH (nm)		VIEWING ANGLE (DEGREES)
						MIN.	MAX.		MIN.	MAX.	MIN.	MAX.	
RED	20	5	110	-40°C TO +85°C	-40°C TO +85°C	1.8	2.4	5	400	600	620	625	120
GREEN	20	5	110	-40°C TO +85°C	-40°C TO +85°C	3.0	3.4	5	900	1400	515	520	120
YELLOW	20	5	70	-25°C TO +85°C	-25°C TO +85°C	1.8	2.3	10	400	600	590	595	120
BLUE	20	5	110	-40°C TO +85°C	-40°C TO +85°C	2.8	3.6	5	400	600	460	475	120
*WHITE	20	5	110	-40°C TO +85°C	-40°C TO +85°C	2.8	3.6	5	1000	1200	X=0.295 Y=0.304	X=0.280 Y=0.288	120

\*CHROMATICITY COORDINATES

THIS DRAWING AND THE CONTENTS HEREIN ARE CONFIDENTIAL AND THE SOLE PROPERTY OF DIALIGHT CORP. REPRODUCTION OF THIS DRAWING OR CONSTRUCTION OF ANY PARTS WITHIN THIS DRAWING ARE FORBIDDEN WITHOUT THE WRITTEN CONSENT OF DIALIGHT CORP.

DIALIGHT CORP. INTERNAL REFERENCE ONLY = 3D MODEL : 6052X11110F-A.12

SCALE: 5.000	DRAWING NUMBER	REV
ALL DIM'S: INCH (mm)	C-18655	A
TOLERANCES: UNLESS OTHERWISE SPECIFIED	TITLE 5MM RECESSED LED PMT WITH WATER CLEAR LENS LEADS ONLY	
FRACTIONS: $\pm 1/64$ DECIMALS (.XX): $\pm .01$ DECIMALS (.XXX): $\pm .005$ DECIMALS (.XXXX): $\pm .0005$ ANGLES: $\pm 1^\circ$	MATERIAL	
FINISH		
FSCM 83330	1501 ROUTE 34 SOUTH FARMINGDALE, NJ 07727 (732) 919-3119 www.dialight.com	
	SHEET 1 OF 1	FAMILY TABLE: