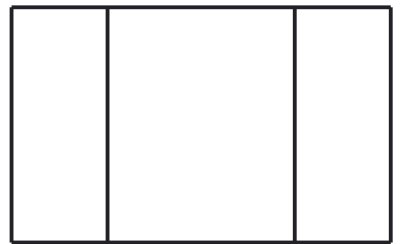
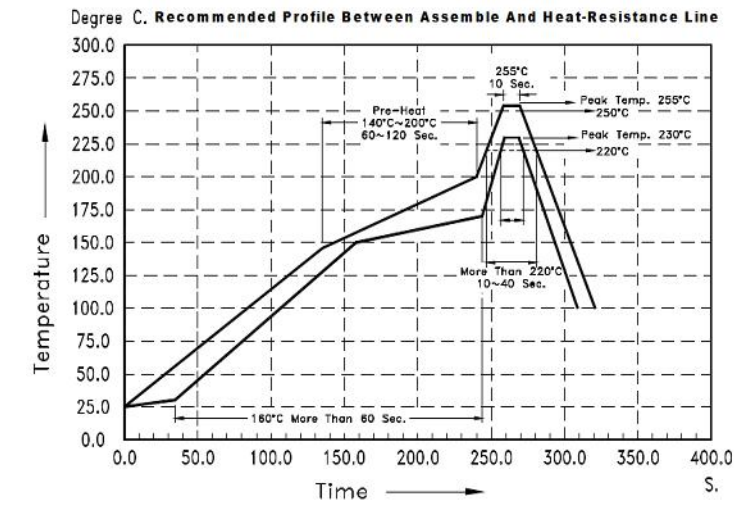
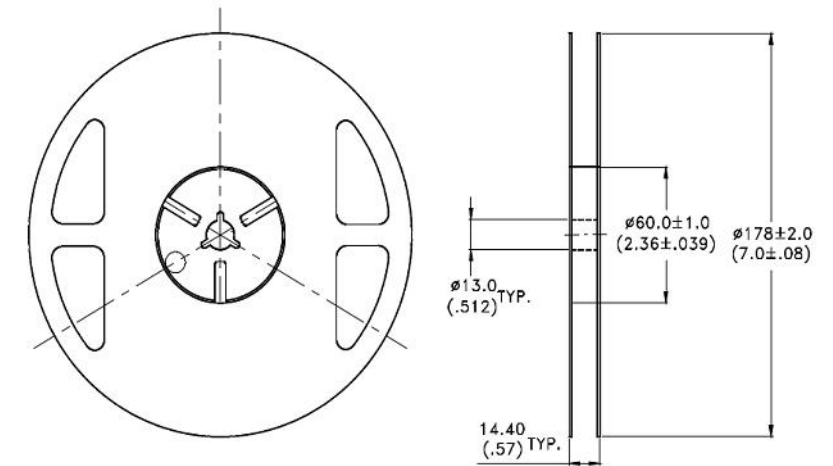
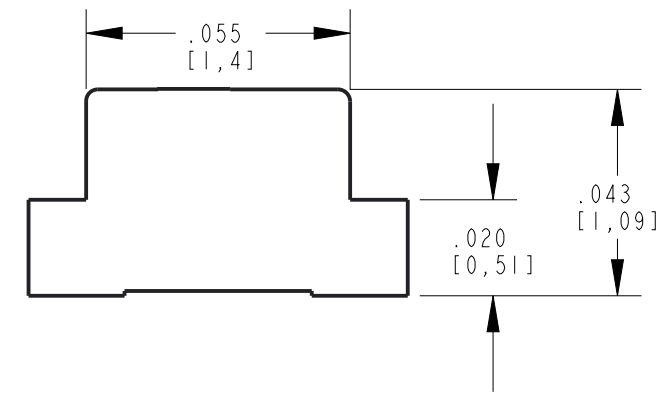
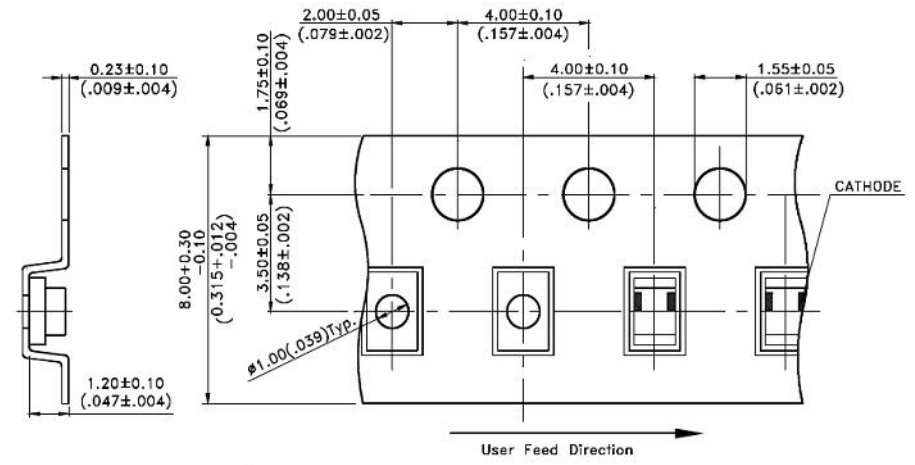
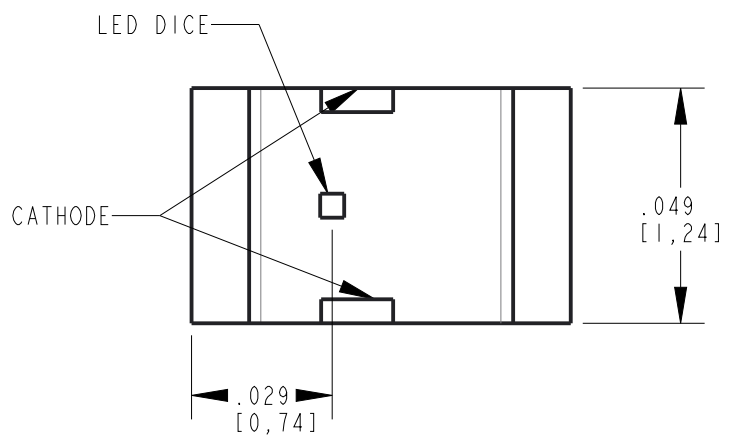


REV	ECN NO	REVISIONS	DRN	CKD	APP	QA	CM	DATE
A	126074	NEW RELEASE	LD	CS				1-14-25

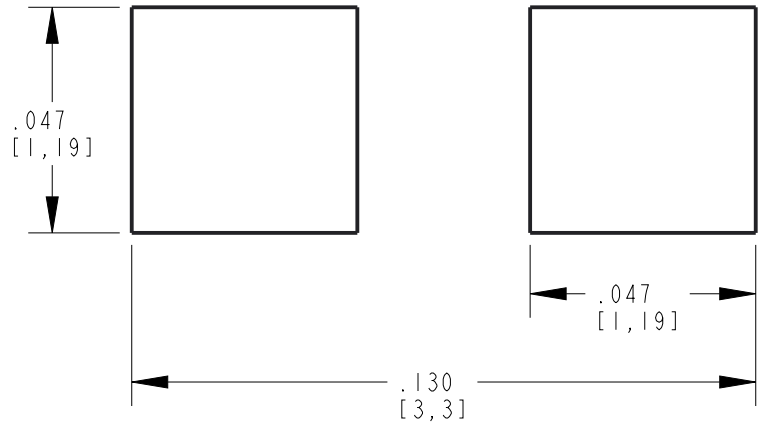
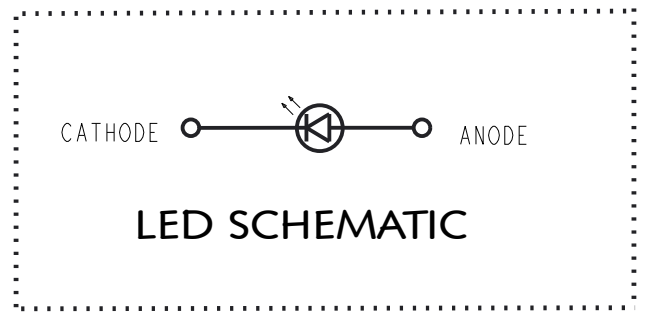
Package Dimensions Of Tape And Reel



COLOR	LUMINOUS INTENSITY				PEAK WAVELENGTH	DOMINANT WAVELENGTH	FORWARD VOLTAGE		REVERSE CURRENT		VIEWING ANGLE
	I <sub>F</sub>	MIN (mcd)	TYP (mcd)	MAX (mcd)	TYP	TYP	TYP (V)	MAX (V)	V <sub>R</sub>	MAX (μA)	TYP (DEG)
YELLOW	10 mA	1.6	4.0	12.5	585	588	2.1	2.6	5V	100	130

	COLOR	UNITS
	RED	
POWER DISSIPATION	60	mW
FORWARD CURRENT	20	mA
PEAK FORWARD CURRENT (LESS THAN OR EQUAL TO 1/20 DUTY CYCLE, 1kHz)	80	mA
DERATING LINEAR FROM 50°C	0.4	
ELECTROSTATIC DISCHARGE	2000	V
REVERSE VOLTAGE	5	V
STORAGE TEMPERATURE	-55 TO +85	°C
OPERATING TEMPERATURE	-55 TO +85	°C

- NOTES:
- PARTS ARE TO BE SUPPLIED IN 8mm CARRIER TAPE ON 7" REEL 3000 PCS PER REEL.
  - PIN NUMBERS ARE FOR REFERENCE ONLY, DESIGNATION NON EXISTENT ON PART
  - THIS ASSEMBLY CONTAINS ELECTROSTATIC DISCHARGE DEVICES (ESDS). MAINTAIN ALL PRECAUTIONARY MEASURES DURING ASSEMBLY, HANDLING AND STORAGE IN ACCORDANCE WITH IPC-A-610
  - THIS PRODUCT IS ROHS COMPLIANT EACH BAG IS TO BE MARKED WITH ROHS COMPLIANT LABEL OR EQUIVALENT MARKINGS. LED MUST BE Pb FREE.
  - MOISTURE SENSITIVITY LEVEL IS 3
  - DIALIGHT PART NO: 597-3405-607F



RECOMMENDED PAD LAYOUT

THIS DRAWING AND THE CONTENTS HEREIN ARE CONFIDENTIAL AND THE SOLE PROPERTY OF DIALIGHT CORP. REPRODUCTION OF THIS DRAWING OR CONSTRUCTION OF ANY PARTS WITHIN THIS DRAWING ARE FORBIDDEN WITHOUT THE WRITTEN CONSENT OF DIALIGHT CORP.

DIALIGHT CORP INTERNAL REFERENCE ONLY = 3D MODEL : 4500597300667-A.1

SCALE: 32.000	DRAWING NUMBER	REV
ALL DIM'S: INCH (mm)	C-18795	A
TOLERANCES: UNLESS OTHERWISE SPECIFIED	TITLE	
FRACTIONS: ±1/64	0805 SMD LED	
DECIMALS (.XX): ±.01	MATERIAL	
DECIMALS (.XXX): ±.005		
DECIMALS (.XXXX): ±.0005		
ANGLES: ±1°		
FINISH		
FSCM 83330		
	SHEET 1 OF 1	FAMILY TABLE:

1501 ROUTE 34 SOUTH  
FARMINGDALE, NJ 07727  
(732) 919-3119  
www.dialight.com