

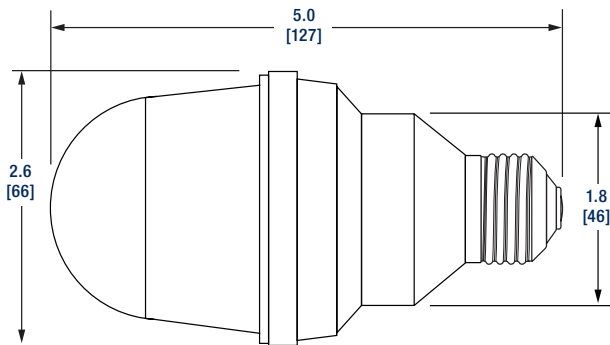


Features & Benefits

- Low power consumption
- High output
- Provides emergency vehicle with visual pre-emption confirmation
- Replaces incandescent lamp typically used in red light running applications
- Flat lens for directional viewing
- Domed lens for Omni-directional viewing
- White medium spot brighter on axis than 150 W Flood Light
- Fits existing PAR 38 socket
- Compact size
- Long Life

Dimensions

inches [mm]



Electrical specifications

Edison Based

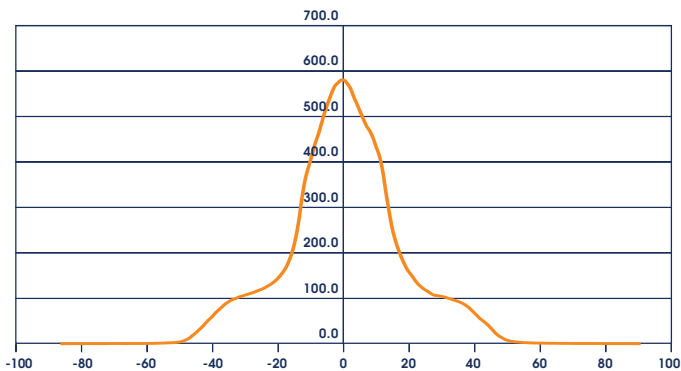
Operating Voltage: 120 VAC

Operating Temp: -40 °C to +75 °C

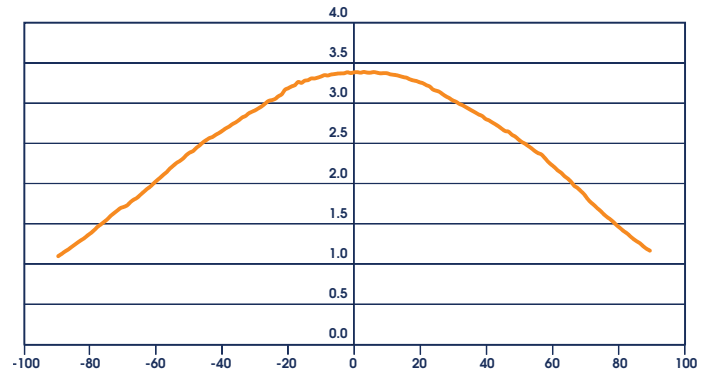
Storage Temp: -40 °C to +100 °C

Lens material: Polycarbonate UL 94V-0

Intensity (cd) vs. Viewing Angle TB1-7401-101 (White)



Intensity (cd) vs. Viewing Angle TB2-8111-001 (Blue)



Edison Based Pre-Emption Status Indicator

Part Number	Output Color	Lens Type	Power (W)	Output
TB1-7401-101	White	Flat, Non-diffused	7	±15° Medium Spot
TB2-8111-001	Blue	Domed, Diffused		360°