

## OPT SERIES 35mm TIR Optic

3°, 5°, 5 x 20°

### MECHANICAL / SPECIFICATIONS

OPTIC WITH TAPE ONLY:  
Optic Diameter 35mm  
Optic Height 20.1mm

OPTIC WITH HOLDER AND TAPE:  
Optic Diameter 38.2 mm  
Optic Height 22.2 mm

OPERATING TEMPERATURE:  
-40°C to +70°C

LIGHT TRANSMISSION:  
400nm to 900nm >90%

LENS MATERIAL:  
PMMA 8N

FLAMMABILITY:  
UL 94HB

UV RATING:  
AMECA Listed

NOMINAL OUTPUT ANGLE\*:  
OPT0003002F, OPT0003004F 3 degrees  
OPT0005002F, OPT0005004F 5 degrees  
OPT0520002F, OPT0520004F 5 x 20 degrees

*\*output can vary based on specific LED used with the optic*

CERTIFICATIONS & RATINGS  
RoHS

### FEATURES & BENEFITS

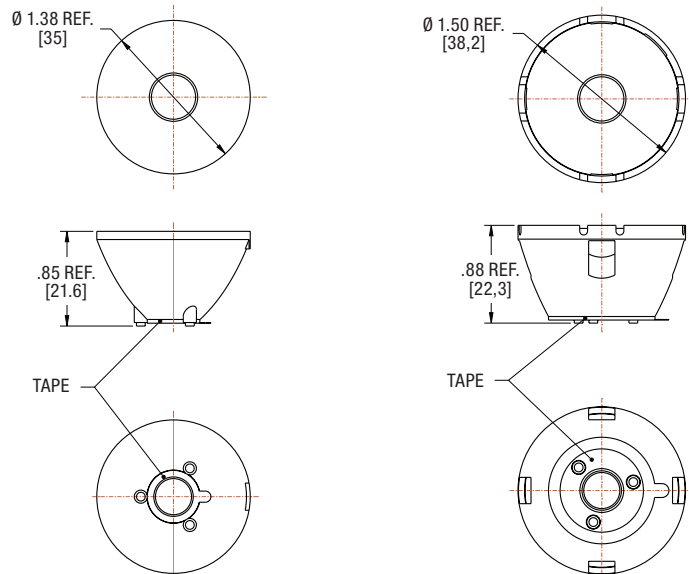
- High transmissivity
- UL rated optic material
- Optic only with tape or Optic pre-installed in housing with tape for mounting

### APPLICATION

Dialight OPT Series of TIR optics are designed for optical efficiency with a wide variety of today's common high power LEDs.

- Down light
- Wall wash
- Illumination
- Spot light
- Architectural
- ...and many more

### DIMENSIONS inches [mm]



ORDERING INFORMATION

OPTIC FWHM FOR SPECIFIC LEDS

	Part Number	Description	LED	FWHM*
	<a href="#">OPT-0003-002F</a>	3 degree optic with tape	Cree XPE	4°
			Cree XPE2	4°
			Cree XML2	8°
	<a href="#">OPT-0005-002F</a>	5 degree optic with tape	Cree XPE	4°
			Cree XPE2	4°
			Cree XML2	8°
	<a href="#">OPT-0520-002F</a>	5 x 20 degree optic with tape	Cree XPE	5° x 18°
			Cree XPE2	5° x 18°
			Cree XML2	5° x 19°
	<a href="#">OPT-0003-004F</a>	3 degree optic in holder with tape	Cree XPE	4°
			Samsung LH351B	6°
	<a href="#">OPT-0005-004F</a>	5 degree optic in holder with tape	Cree XPE	5°
			Samsung LH351B	7°
	<a href="#">OPT-0520-004F</a>	5 x 20 degree optic in holder with tape	Cree XPE	4° x 19°
			Samsung LH351B	8° x 20°

\*FWHM equals full width of the optic output to half the maximum (peak) output

PRECAUTIONS

- Handle and Install optics wearing gloves. Skin oils may damage or alter the optical performance of the product
- If needed, clean product with mild soap, water and a soft cloth
- Avoid the use of commercial cleaning solvents, including alcohol on the products.



Dialight reserves the right to make changes at any time in order to supply the best product possible. The most current version of this document will always be available at: [www.dialightsignalsandcomponents.com](http://www.dialightsignalsandcomponents.com)

**Warranty Statement:** Except for the warranty expressly provided for at: [www.dialight.com/resources/warranties/](http://www.dialight.com/resources/warranties/), Dialight disclaims any and all other warranties, express or implied, including, without limitation, any warranties of merchantability, fitness for a particular purpose, title, and noninfringement.