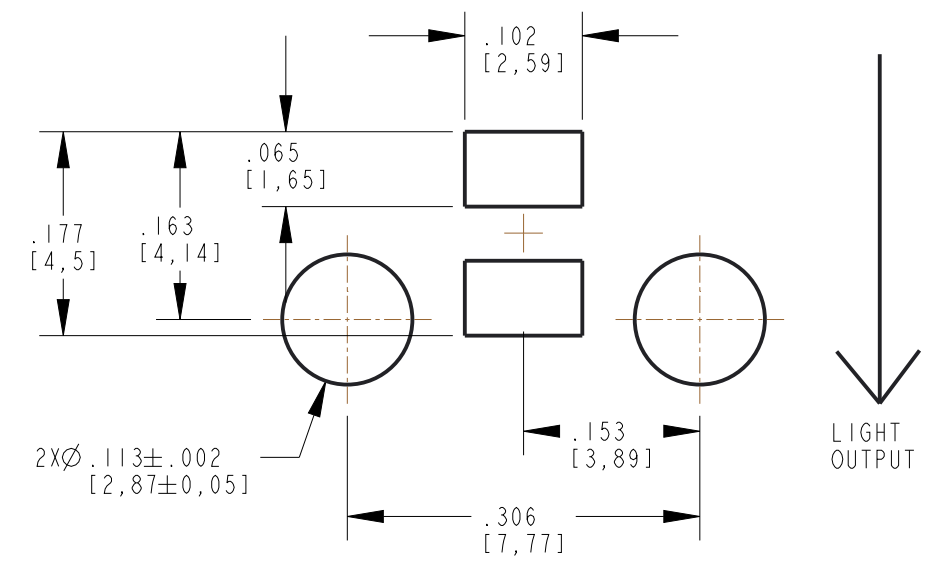
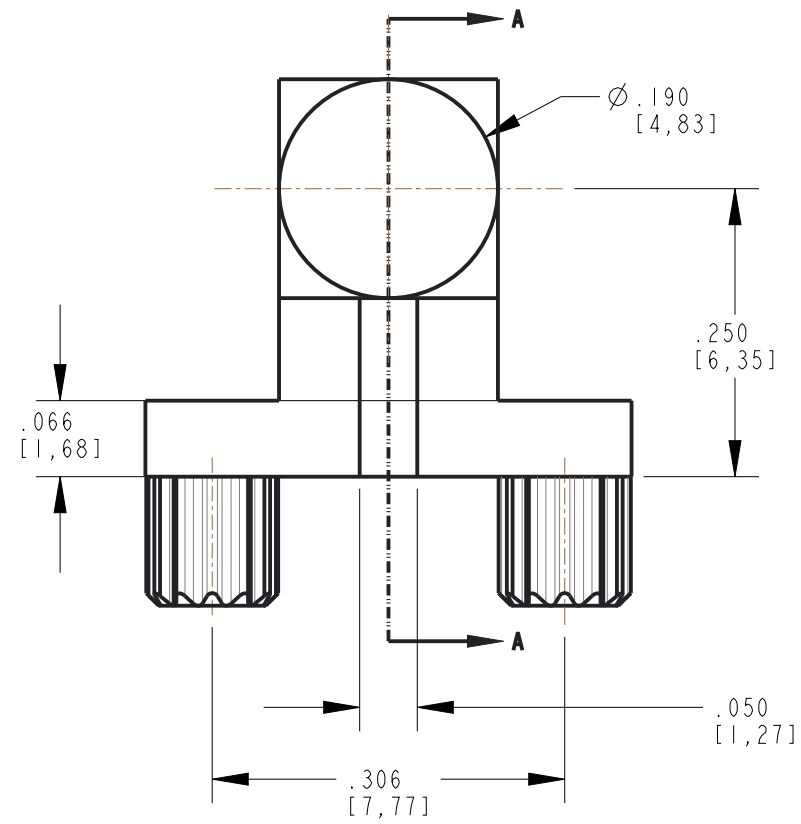
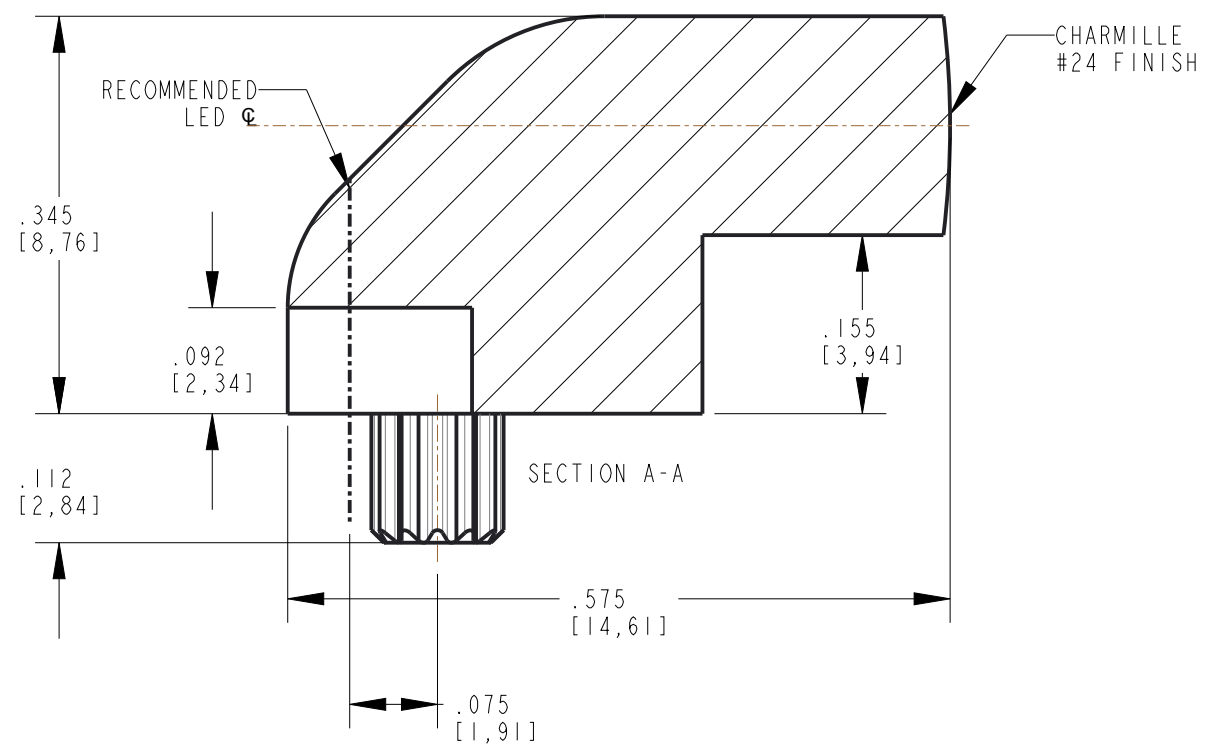
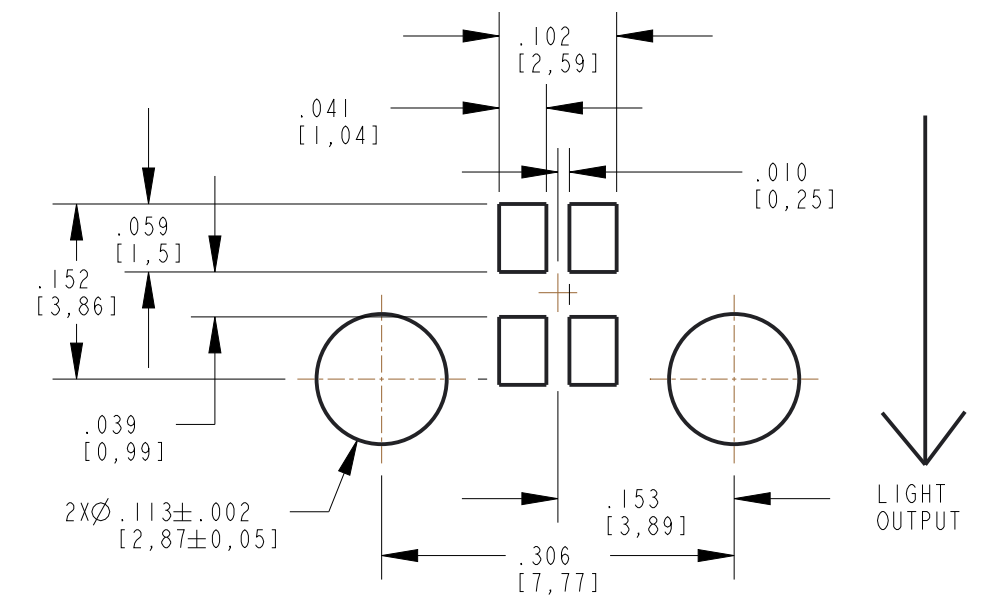
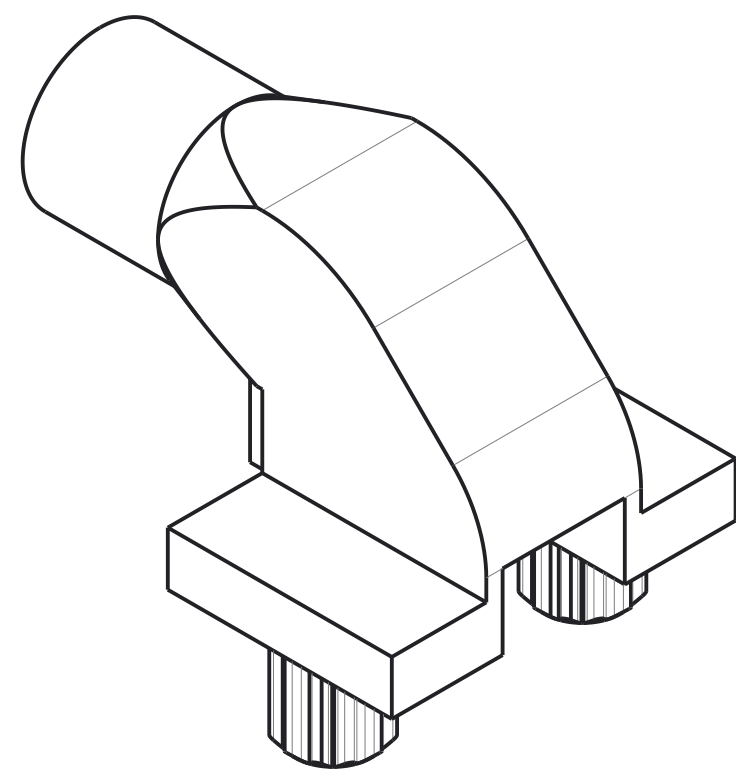
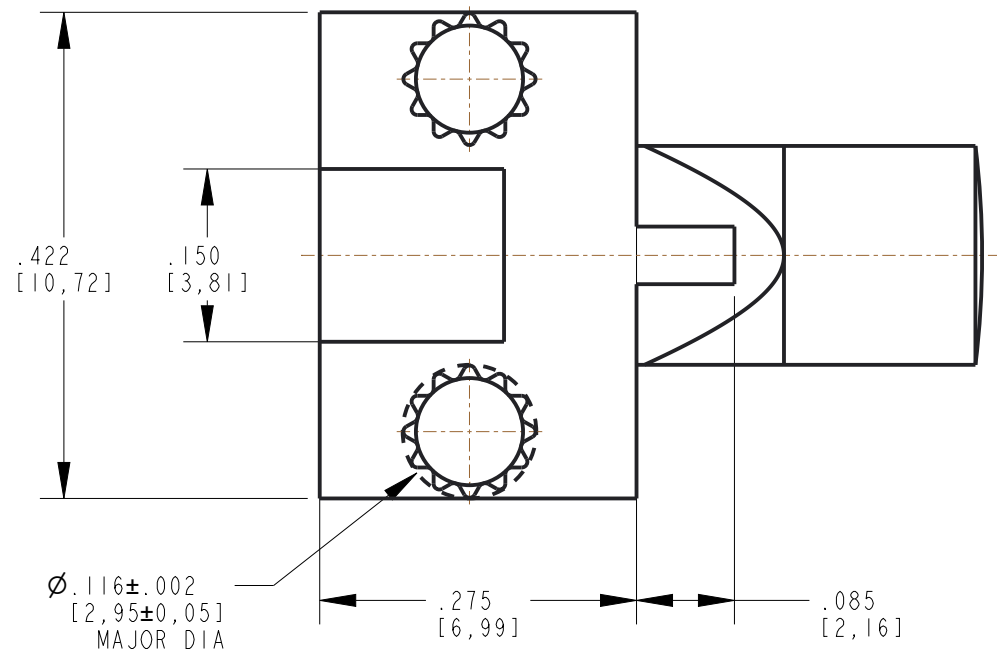


REV	ECN NO	REVISIONS	DRN	CKD	APP	QA	CM	DATE
A	96359	NEW RELEASE	LD		CS			8-16-22




**RECOMMENDED SOLDER PAD LAYOUT
(SINGLE COLOR 597-3XXI-207NF)**



**RECOMMENDED SOLDER PAD LAYOUT
(MULTI COLOR 597-77XI-207F)**

- NOTES:
- DIALIGHT PART NUMBER: 515-1011F.
 - SUGGESTED DIALIGHT LEDS:
FOR SINGLE COLOR: 597-3XXI-207NF
FOR MULTI-COLOR: 597-77XI-207F

THIS DRAWING AND THE CONTENTS HEREIN ARE CONFIDENTIAL AND THE SOLE PROPERTY OF DIALIGHT CORP. REPRODUCTION OF THIS DRAWING OR CONSTRUCTION OF ANY PARTS WITHIN THIS DRAWING ARE FORBIDDEN WITHOUT THE WRITTEN CONSENT OF DIALIGHT CORP.		
DIALIGHT CORP. INTERNAL REFERENCE ONLY = 3D MODEL : 5151011F-A.5		
SCALE: 6.000	DRAWING NUMBER	REV
ALL DIM's: INCH (mm)	C-18584	A
TOLERANCES: UNLESS OTHERWISE SPECIFIED	TITLE SINGLE ELEMENT LIGHTPIPE	
FRACTIONS: $\pm 1/64$	MATERIAL	
DECIMALS (.XX): $\pm .01$	 1501 ROUTE 34 SOUTH FARMINGDALE, NJ 07727 (732) 919-3119 www.dialight.com	
DECIMALS (.XXX): $\pm .005$		
DECIMALS (.XXXX): $\pm .0005$		
ANGLES: $\pm 1^\circ$	FINISH	
FSCM 83330	SHEET 1 OF 1	FAMILY TABLE: