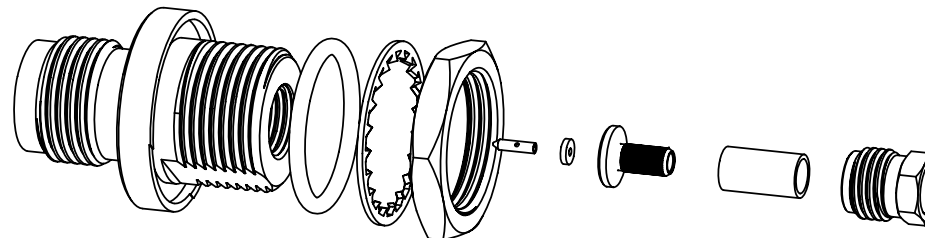


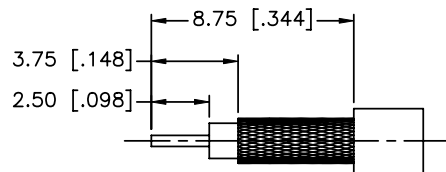
NOTES:

1. ELECTRICAL:
  - A. IMPEDANCE: 50 OHM
  - B. FREQUENCY RANGE: DC TO 4 GHz
  - C. VSWR: 1.2 MAX @ DC TO 4 GHz.
  - D. DIELECTRIC WITHSTANDING VOLTAGE: 750 VRMS, MIN.
2. MECHANICAL:
  - A. DURABILITY: 500 CYCLES MIN.
  - B. TEMPERATURE RANGE: -65 °C TO +165 °C
3. CRIMP FERRULE:
  - HEX. CRIMP SIZE .128"
4. CONTACT PIN TO SOLDER
5. MAX. PANEL THICKNESS = 5.0 MM [.197 INCH]

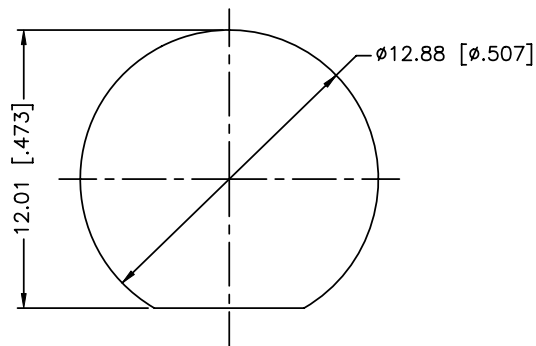
REV.	DATE	ECR NO.	DESCRIPTION
NC	08/20/12	XXXXXX	INITIAL RELEASE
A	06/25/13	2485	ADD MAX. PANEL THICKNESS TO NOTES



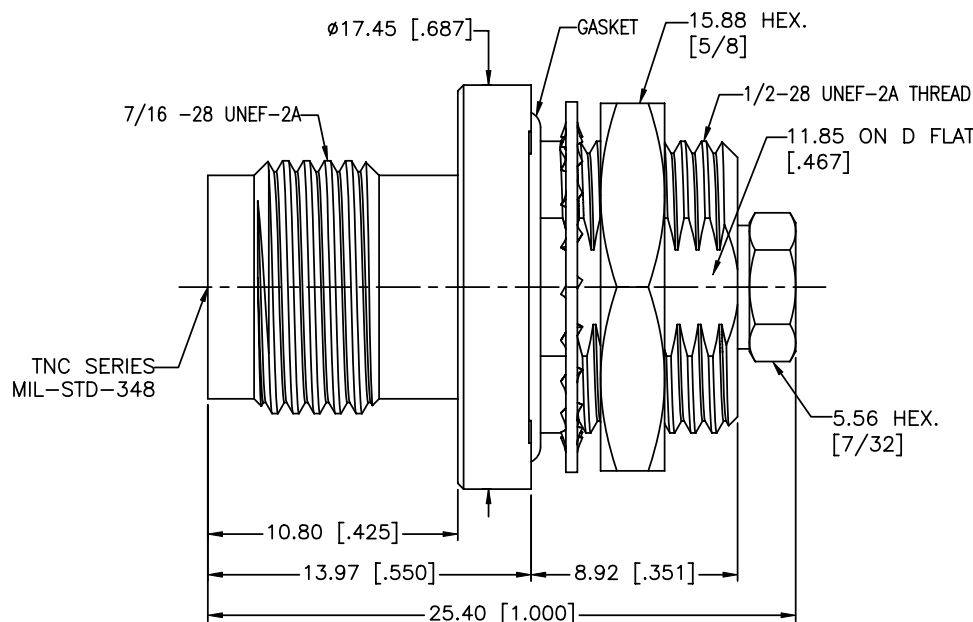
SCALE 0.500



RECOMMENDED  
CABLE STRIPPING DIM'S



RECOMMENDED MOUNTING  
HOLE DIMENSIONS



11	NUT HEX	BRASS	NICKEL	1
10	LOCK WASHER	PHOSPHOR BRONZE	NICKEL	1
9	BACK NUT	BRASS	NICKEL	1
8	FERRULE	COPPER	NICKEL	1
7	BARREL	BRASS	NICKEL	1
6	BULLET CONTACT	BRASS	GOLD	1
5	GASKET	SILICONE RUBBER	RED	2
4	LOCK RING	BRASS	NICKEL	1
3	CONTACT	BERYLLIUM COPPER	GOLD	1
2	INSULATOR	PTFE	NATURAL	2
1	BODY	BRASS	NICKEL	1
	DESCRIPTION	MATERIAL	FINISH	QTY

UNLESS OTHERWISE SPECIFIED DIMENSIONS ARE IN MILLIMETERS. DIMENSIONS IN [ ] ARE IN INCHES AND FOR CUSTOMER REFERENCE ONLY.

UNLESS OTHERWISE SPECIFIED TOLERANCES FOR MILLIMETERS ARE:  
 0.5 - 8mm ± 0.20mm  
 8 - 30mm ± 0.40mm  
 30 - 120mm ± 0.50mm

UNLESS OTHERWISE SPECIFIED TOLERANCES FOR INCHES ARE:  
 .020 - .315 = ± 0.007"  
 .315 - 1.180 = ± 0.015"  
 1.180 - 4.724 = ± 0.020"

DO NOT SCALE DRAWING

APPROVALS	DATE
DRAWN T.DENG	06/25/13
CHECKED	
ISSUED	
SHEET 1 OF 1	
CAD FILE	
C:/CONNEX/122551.DWG	

# Amphenol Connex

PART DESCRIPTION  
**TNC JACK, BULKHEAD FRONT MOUNT, IP67 SEALED, FOR BELDEN 8216, RG-316/U, RG-174/U AND RG-188A/U CABLES**

PART NO.	122551		
DWG. NO.	122551.DWG	REV.	A
SIZE	A	SCALE	NA