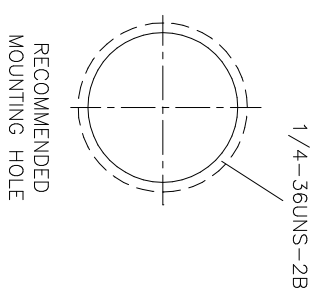
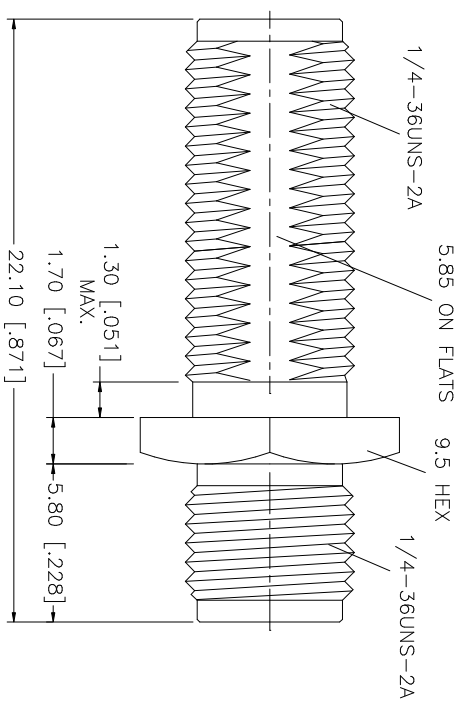
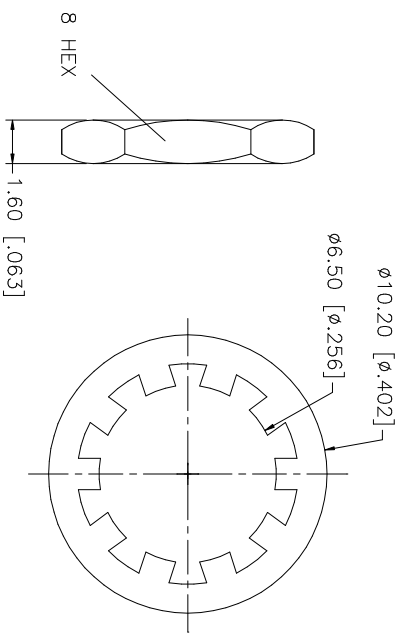
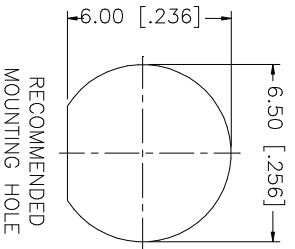


REV.	DATE	DESCRIPTION
C	04/08/01	ADD NOTES AND MOUNTING HOLE
D	04/31/03	UPDATE DRAWING FORMAT



NOTES:  
 1. MAX. PANEL THICKNESS = 6.5mm  
 MIN. PANEL THICKNESS = 2mm

**Amphenol Connex**

PART DESCRIPTION  
**SMA BULKHEAD FEMALE TO FEMALE ADAPTOR**

PART NO. 132170

UNLESS OTHERWISE SPECIFIED DIMENSIONS ARE IN MILLIMETERS DIMENSIONS IN [ ] ARE IN INCHES AND FOR CUSTOMER REFERENCE ONLY.	UNLESS OTHERWISE SPECIFIED TOLERANCES FOR MILLIMETERS ARE:	UNLESS OTHERWISE SPECIFIED TOLERANCES FOR INCHES ARE:	APPROVALS	DATE	CAD FILE	DWG. NO.	REV.	SIZE	SCALE
8					C:/132/132170.DWG	132170.DWG	D	A	NA
7									
6									
5	HEX NUT	BRASS	GOLD	1					
4	LOCK WASHER	BRASS	GOLD	1					
3	CONTACT PIN	BER. COPPER	GOLD	1					
2	INSULATOR	TEFLON	NATURAL	1					
1	BODY	BRASS	GOLD	1					
DESCRIPTION MATERIAL FINISH QTY									
DO NOT SCALE DRAWING									
UNLESS OTHERWISE SPECIFIED DIMENSIONS ARE IN MILLIMETERS DIMENSIONS IN [ ] ARE IN INCHES AND FOR CUSTOMER REFERENCE ONLY.									
UNLESS OTHERWISE SPECIFIED TOLERANCES FOR MILLIMETERS ARE:									
0.5 - 8mm ± 0.20mm									
8 - 30mm ± 0.40mm									
30 - 120mm ± 0.50mm									
UNLESS OTHERWISE SPECIFIED TOLERANCES FOR INCHES ARE:									
.020 - .315 = ± 0.007"									
.315 - 1.180 = ± 0.015"									
1.180 - 4.724 = ± 0.020"									
DRAWN G.R.S. 04/31/03									
CHECKED									
ISSUED									
SHEET 1 OF 1									