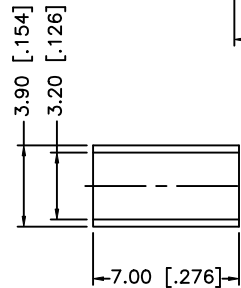
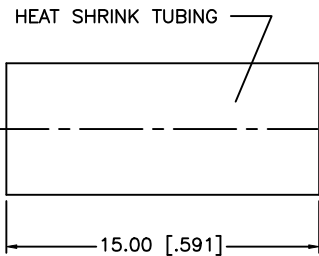
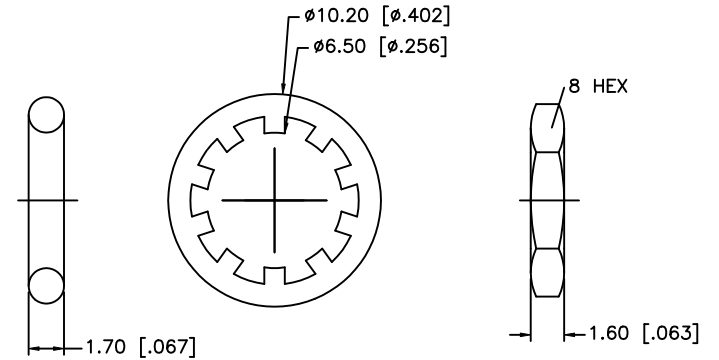
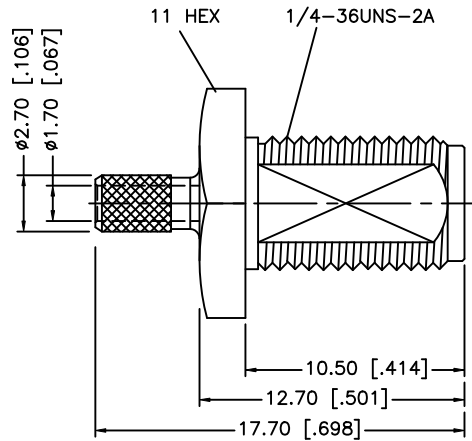
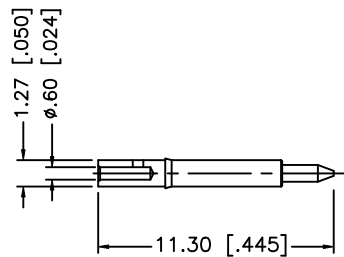
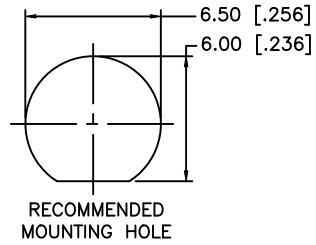
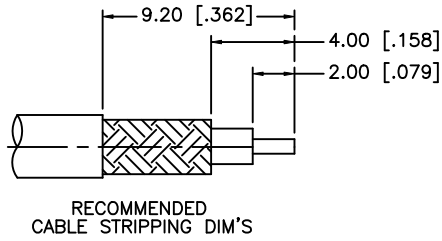


REV.	DATE	ECR NO.	DESCRIPTION
NC	11/21/06	-	INITIAL RELEASE
A	09/02/08	-	REVISE BARREL O.D./ REVISE FERRULE I.D. AND O.D.



NOTE:

1. CRIMPED FERRULE HEX CRIMP SIZE .128" [3.25]
2. CONTACT PIN TO SOLDER

DESCRIPTION	MATERIAL	FINISH	QTY
8 HEAT SHRINK TUBING			1
7 FERRULE	COPPER	GOLD	1
6 HEX NUT	BRASS	GOLD	1
5 LOCK WASHER	BRASS	GOLD	1
4 GASKET	SILICONE	RED	1
3 CONTACT PIN	BER. COPPER	GOLD	1
2 INSULATOR	PTFE	NATURAL	1
1 BODY	BRASS	GOLD	1

UNLESS OTHERWISE SPECIFIED DIMENSIONS ARE IN MILLIMETERS. DIMENSIONS IN [] ARE IN INCHES AND FOR CUSTOMER REFERENCE ONLY.

UNLESS OTHERWISE SPECIFIED TOLERANCES FOR MILLIMETERS ARE:
0.5 - 8mm ± 0.20mm
8 - 30mm ± 0.40mm
30 - 120mm ± 0.50mm

UNLESS OTHERWISE SPECIFIED TOLERANCES FOR INCHES ARE:
.020 - .315 ± 0.007"
.315 - 1.180 ± 0.015"
1.180 - 4.724 ± 0.020"

DO NOT SCALE DRAWING

APPROVALS	DATE
DRAWN GRS	09/02/08
CHECKED	
ISSUED	
SHEET 1 OF 1	
CAD FILE	C:/132/132284RP.DWG

PART DESCRIPTION			
Amphenol Connex			
SMA REVERSE POLARITY BULKHEAD CRIMP PLUG (FOR RG-174/U, 188A/U, 316/U CABLE)			
PART NO.		132284RP	
DWG. NO.	132284RP.DWG	REV. A	SCALE NA