

5

4

3

2

1

NOTES:

1. MATERIALS AND FINISHES:
 FERRULE - COPPER, NICKEL PLATING
 RETAINER RING - BeCu, NATURAL
 BODY, BARREL, SHELL - BRASS, NICKEL PLATING
 CONTACT - BRASS, GOLD PLATING
 INSULATOR - PTFE, NATURAL

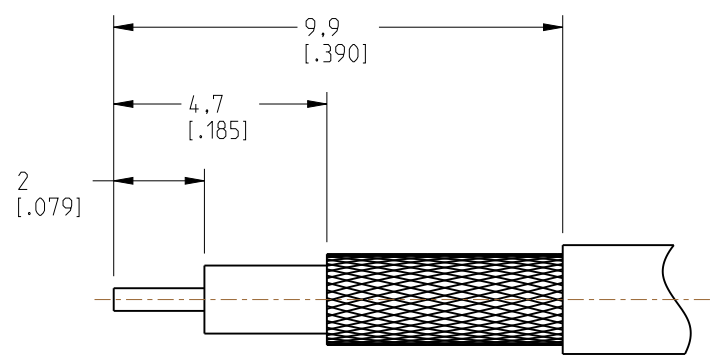
2. ELECTRICAL:
 A. IMPEDANCE: 50 OHM
 B. FREQUENCY RANGE: DC - 3 GHz
 C. VSWR (RETURN LOSS): 1.3, MAX.
 D. DIELECTRIC WITHSTANDING VOLTAGE: 900 VRMS, MIN.

3. MECHANICAL:
 A. DURABILITY: 500 CYCLES MIN.
 B. TEMPERATURE RANGE: -65° TO +165°

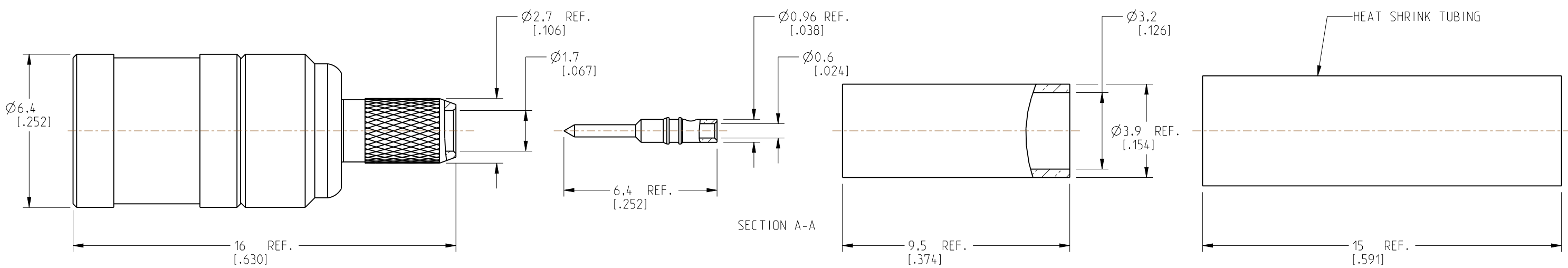
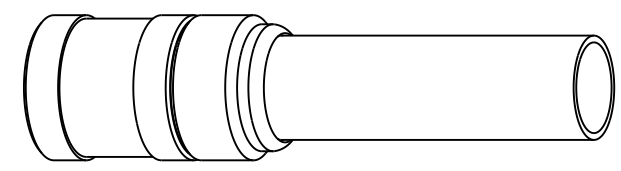
4. CRIMPED FERRULE
 HEX CRIMP SIZE .128"

5. CONTACT PIN TO SOLDER
 OR USE 4-WAY INDENT TOOL #47001

REVISIONS				
REV	DESCRIPTION	DATE	ECN	BY
NC	INITIAL RELEASE	--	----	--
A	UPDATE FERRULE LENGTH	05/14/03	----	GRS
B	UPDATE PART DESCRIPTION	03/18/04	----	GRS
C	SYNC. UPDATE DRAWING FORMAT	19-Feb-22	16136	SH



RECOMMENDED
CABLE STRIPPING DIM'S



CUSTOMER OUTLINE DRAWING
 ALL OTHER SHEETS ARE FOR INTERNAL USE ONLY

NOTICE: These drawings, specifications, or other data (1) are, and remain the property of Amphenol corp. (2) must be returned upon request; and (3) are confidential and not to be disclosed to any person other than those to whom they are given by Amphenol Corp. The furnishing of these drawings, specifications, or other data by Amphenol Corp., or to any other person to anyone for any purpose is not to be regarded by implication or otherwise in any manner licensing, granting rights to permitting such holder or any other person to manufacture, use or sell any product, process or design, patented or otherwise, that may in any way be related to or disclosed by said drawings, specifications, or other data.		UNLESS OTHERWISE SPECIFIED DIMENSIONS ARE METRIC (INCHES) AND TOLERANCES ARE: <0.5mm = ±0.05mm [± 0.002] 0.5 - 6mm = ±0.1mm [$\pm 0.020 - 0.236 = \pm 0.004$] >6.00 - 30mm = ±0.2mm [$\pm 0.236 - 1.181 = \pm 0.008$] >30.00 - 120mm = ±0.3mm [$\pm 1.181 - 4.725 = \pm 0.012$]		MATERIAL SEE NOTES		TITLE SMB REVERSE POLARITY CRIMP PLUG (FOR RG-174/U 188A/U, 316/U CABLE)		Amphenol RF	
THIRD ANGLE PROJ. REFERENCE EAR#		ANGLES = ±1°		ENGR.1 M.ZHANG		ENGR.2		DATE 18-Feb-22	
				SHEET NO. 2 OF 2		SCALE: 6.0:1.0		DRAWING NO. RSMB6121A1-001-NT30G-50 ITEM NO. 626121AAA36NC5F PART NO. 142178RP	

5

4

3

2

1