

NOTES:

REFERENCE STANDARD IEC60169-4

I. ELECTRIC PERFORMANCE

IMPEDANCE (Ω) : 50
 FREQUENCY RANGE : DC - 3GHz
 VSWR : < 1.10
 INSERTION LOSS(dB) : < 0.05
 PIM(dBc) : < -160
 INSULATION RESISTANCE ($M\Omega$) : >10000
 WITHSTAND VOLTAGE (V) : 4000
 CONDUCTOR RESISTANCE ($m\Omega$) : OUTER CONDUCTOR <0.2
 INNER CONDUCTOR <0.8

II. MECHANICAL PERFORMANCE

CONTACT CAPTIVATION $\geq 200N$
 CENTRE RETENTION FORCE : $\geq 6N$
 COUPLING NUT TORQUE 25-30Nm
 MECHANICAL WEAR(HYPO-) : 500

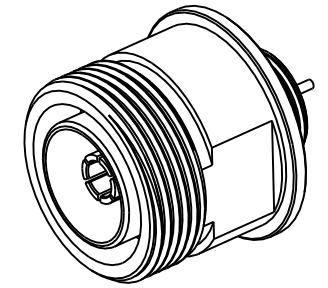
III. MATERIAL AND PLATING

INNER CONDUCTOR : PHOSPHORUS BRONZE, PLATING Ag5 μm
 OUTER CONDUCTOR : BRASS, PLATING COPPER-TIN-ZINC >2 μm
 INSULATOR : PTFE

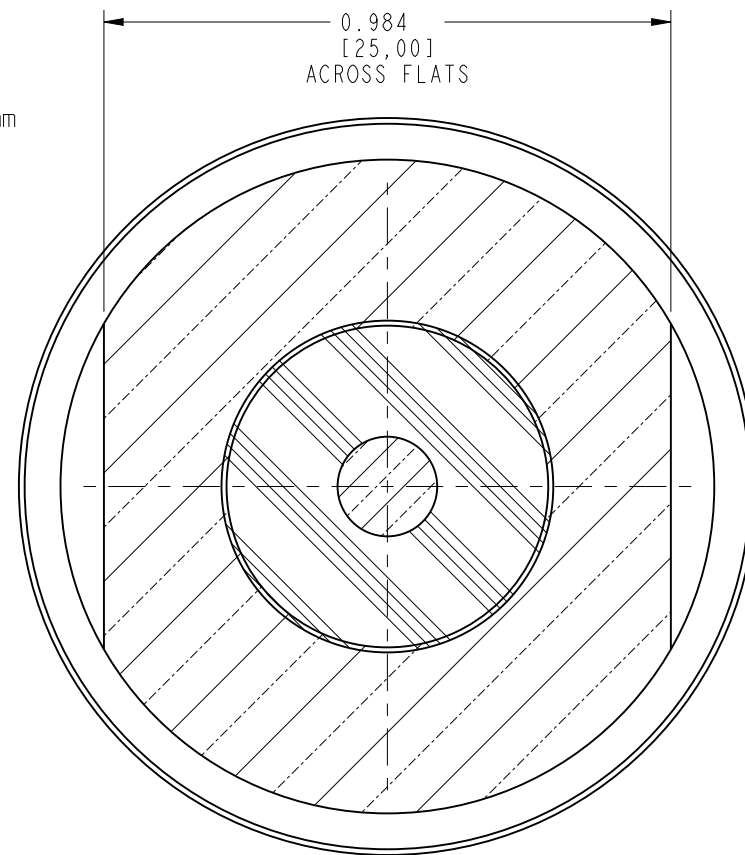
IV. ENVIRONMENT

TEMP RANGE : -40 °C ~ +85 °C
 THERMAL SHOCK : US MIL-STD 202.Meth.107.COND.B
 VIBRATION : US MIL-STD 202.Meth.204.COND.B
 SHOCK : US MIL-STD 202.Meth.213.COND.I
 WEATHER STANDARD : IEC 68 40 /085/21
 ROHS COMPLIANT.

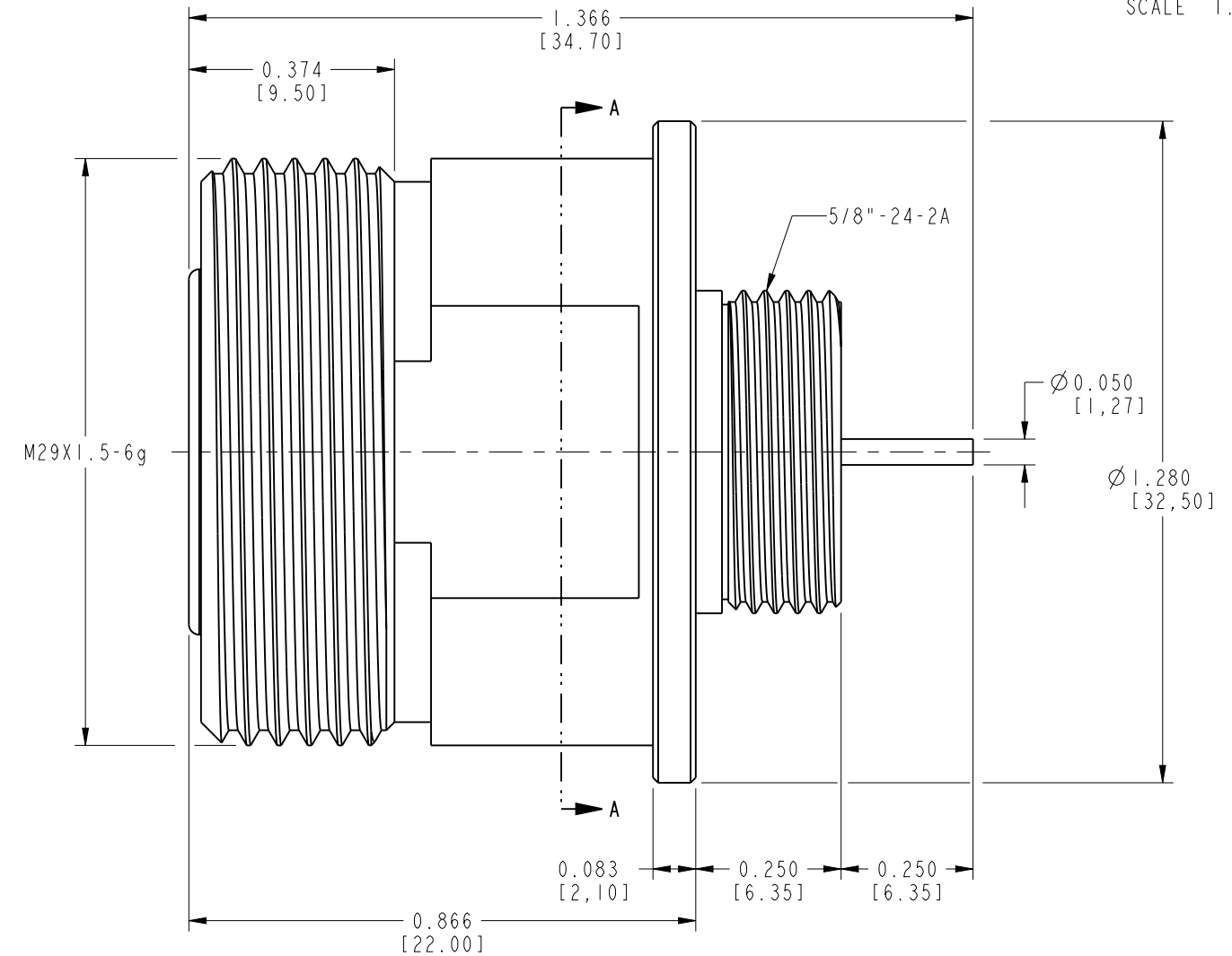
272298	REVISIONS				
DRAWING NO.	REV	DESCRIPTION	DATE	ECO	APPR
THIRD ANGLE PROJ.	A	RELEASE TO MFG.	07-Aug-12	--	RV
	B	REMOVE SS FROM PN, MODIFY TITLE	10-Aug-12	2356	KR



SCALE 1.000



SECTION A-A



UNLESS OTHERWISE SPECIFIED, DIMENSIONS ARE IN INCHES AND TOLERANCES ARE:
 2 PLACE DECIMAL 3 PLACE DECIMAL ANGLES
 ± 0.015 (0,381 mm) ± 0.005 (0,127 mm) $\pm 1^\circ$

NOTICE - These drawings, specifications, or other data (1) are, and remain the property of Amphenol Corp. (2) must be returned upon request; and (3) are confidential and not to be disclosed to any person other than those to whom they are given by Amphenol Corp. The furnishing of these drawings, specifications, or other data by Amphenol Corp., or to any other person to anyone for any purpose is not to be regarded by implication or otherwise in any manner licensing, granting rights or permitting such holder or any other person to manufacture, use or sell any product, process or design, patented or otherwise, that may in any way be related to or disclosed by said drawings, specifications, or other data.

MATERIAL
SEE NOTES

REFERENCE

DRAWN
RAJAVIJAYAN S

DATE
07-Aug-12

ENGINEER
RAJAVIJAYAN S

DATE
07-Aug-12

APPROVED

DATE

CAD FILE

TITLE
7/16 BULKHEAD JACK
RECEPTACLE POST CONTACT

Amphenol
Connex

SCALE: 3.0:1 SHEET 1 OF 1

DWG SIZE DRAWING NO. REV
B 272298 B