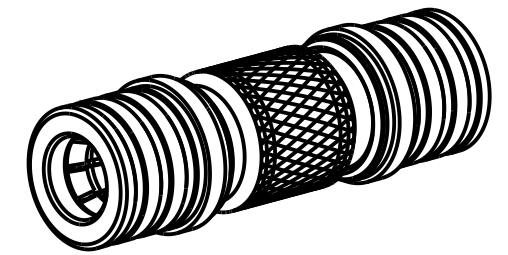


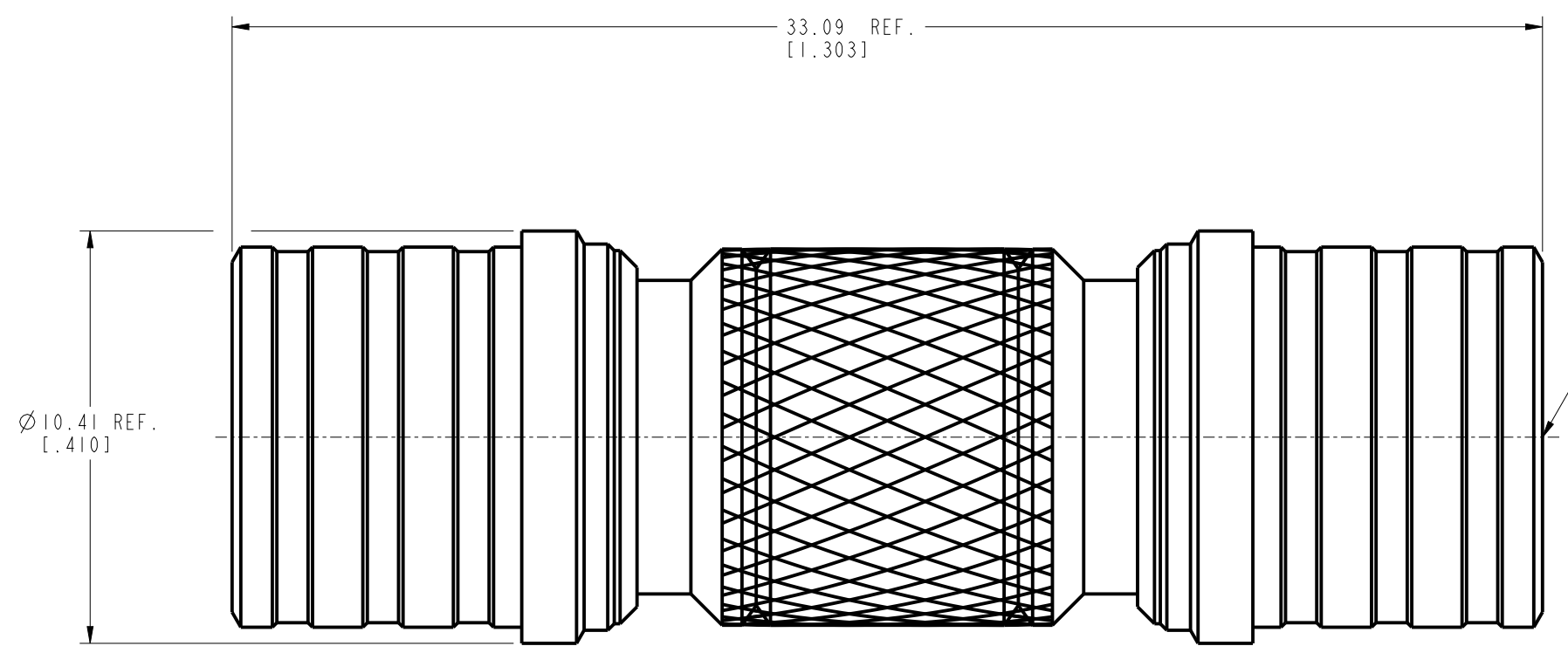
NOTES:

1. MATERIALS AND FINISHES:
 - BODY - BRASS, NICKEL PLATING
 - CONTACT - BRASS, GOLD PLATING
 - INSULATOR - PTFE, NATURAL
 - OUTER CONTACT - BERYLLIUM COPPER, WHITE BRONZE PLATING
 - SLEEVE - BRASS, NICKEL PLATING
2. ELECTRICAL:
 - A. IMPEDANCE: 50 OHM
 - B. FREQUENCY RANGE: DC-18 GHz
 - C. VSWR(RETURN LOSS):
 - DC-6 GHz 1.05 (32.256 dB), MAX.
 - 6-18 GHz 1.20 (20.828 dB), MAX.
 - D. DIELECTRIC WITHSTANDING VOLTAGE: 1000 VRMS, MIN.
3. MECHANICAL:
 - A. DURABILITY: 100 CYCLES MIN.
 - B. TEMPERATURE RANGE: -65°C TO 165°C
4. PACKAGING:
 - A. QUANTITY: SINGLE PACK
 - B. MARKING: PACKAGING TO BE MARKED
"AMPHENOL RF, AD-QMAPQMAP-1, AND DATE CODE"

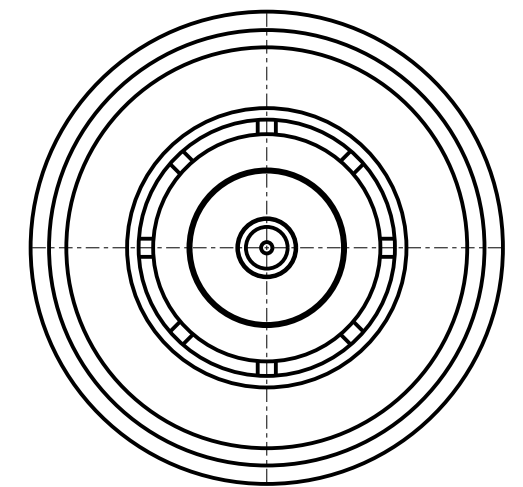
REVISIONS				
REV	DESCRIPTION	DATE	ECN	BY
A	INITIAL RELEASE	11/12/2020	15401	DG



SCALE 2.000



INTERFACE PER
AMPHENOL RF SPEC.
349-50692



CUSTOMER OUTLINE DRAWING
ALL OTHER SHEETS ARE FOR INTERNAL USE ONLY

NOTICE: These drawings, specifications, or other data (1) are, and remain the property of Amphenol corp. (2) must be returned upon request; and (3) are confidential and not to be disclosed to any person other than those to whom they are given by Amphenol Corp. The furnishing of these drawings, specifications, or other data by Amphenol Corp., or to any other person to anyone for any purpose is not to be regarded by implication or otherwise in any manner licensing, granting rights to permitting such holder or any other person to manufacture, use or sell any product, process or design, patented or otherwise, that may in any way be related to or disclosed by said drawings, specifications, or other data.		UNLESS OTHERWISE SPECIFIED DIMENSIONS ARE METRIC (INCHES) AND TOLERANCES ARE: <0.5mm = ±0.05mm [± 0.002] >0.5 - 6mm = ±0.1mm [$\pm 0.020 - 0.236 = \pm 0.004$] >6.00 - 30mm = ±0.2mm [$\pm 0.236 - 1.181 = \pm 0.008$] >30.00 - 120mm = ±0.3mm [$\pm 1.181 - 4.725 = \pm 0.012$] ANGLES = ±1°		MATERIAL ---		TITLE ADAPTER QMA PLUG TO QMA PLUG		Amphenol RF	
THIRD ANGLE PROJ.		REFERENCE ---		ENGINEER MICHAEL MISCHKE		DATE 11/4/2019		SHEET NO. 2 OF 2	
EAR# 9054		SCALE: 6.0:1.0		DRAWING NO. AD-QMAPQMAP-1		ITEM NO. AD-QMAPQMAP-1		PART NO. AD-QMAPQMAP-1	
						SIZE B		REV A	