

NOTES:

1. MATERIALS AND FINISHES:

- SPANNER NUT - BRASS, NICKEL PLATING
- BODY - BRASS, GOLD PLATING
- HOUSING - BRASS, BRIGHT TIN PLATING
- CONTACT - PHOSPHOR BRONZE, GOLD PLATING
- INSULATOR - PTFE, NATURAL

2. ELECTRICAL:

- A. IMPEDANCE: 75 OHM
- B. FREQUENCY RANGE: 0-3 GHz
- C. VSWR: 1.15, MAX.
- D. D.W.V: 750 VRMS, MIN.

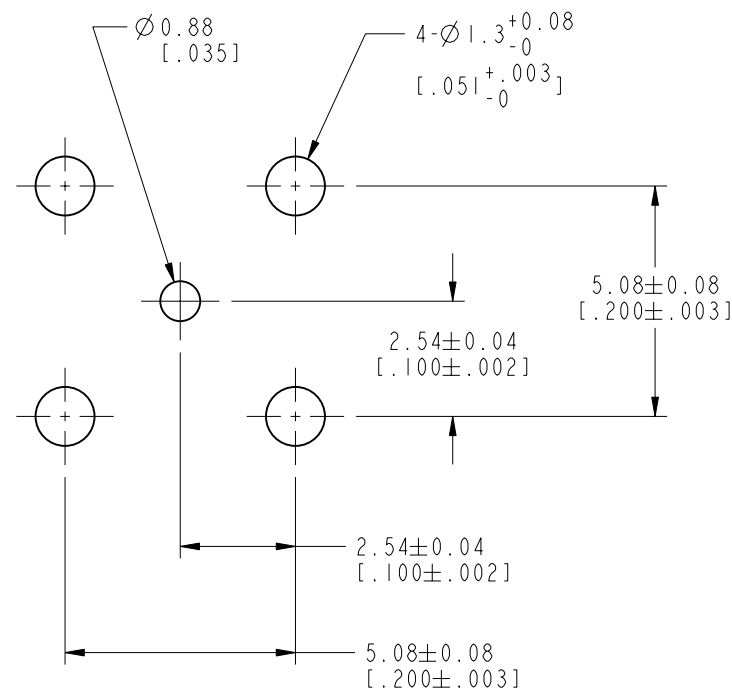
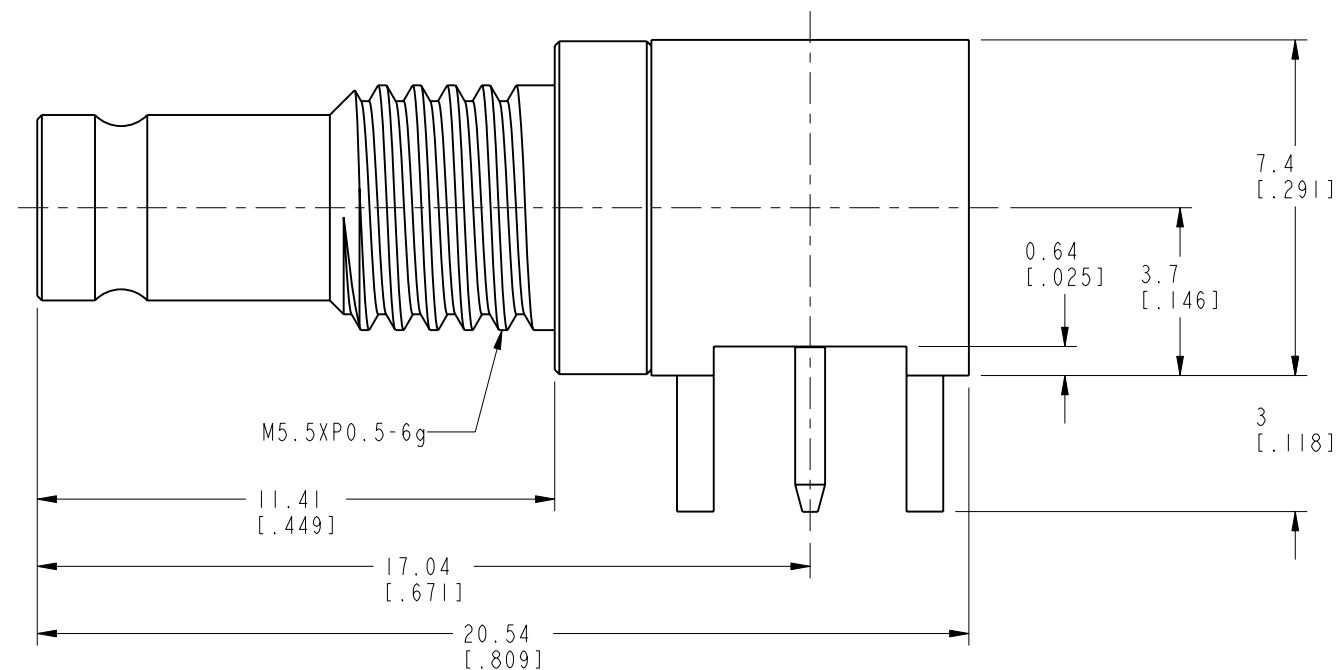
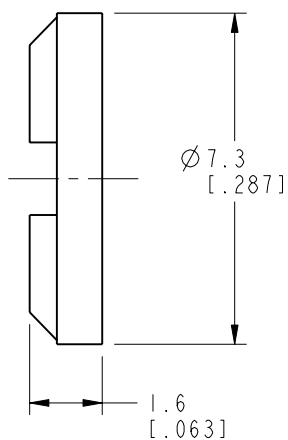
3. MECHANICAL:

- A. DURABILITY: 500 CYCLES MIN.
- B. TEMPERATURE RANGE: -40°C TO +155°C

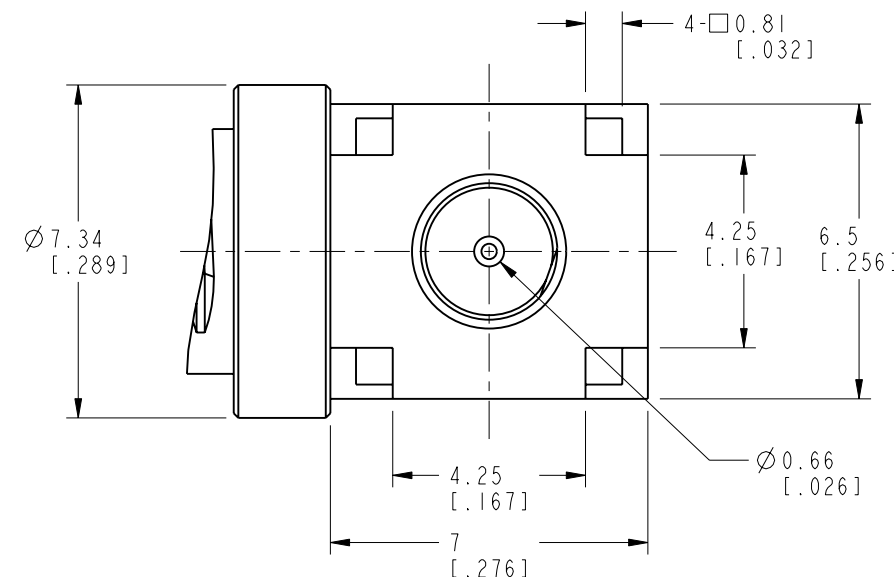
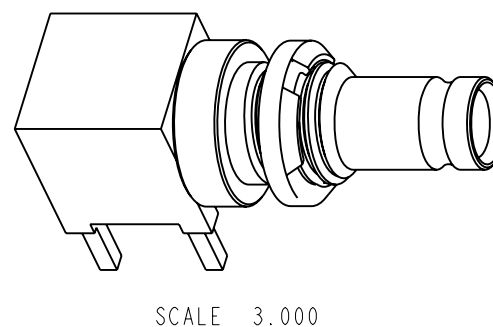
THIRD ANGLE PROJ.

REVISIONS

REV	DESCRIPTION	DATE	ECO	APPR
NC	INITIAL RELEASE	04-Aug-10	----	GRS
A	UPDATED TOLERANCES, UPDATE DRAWING FORMAT	28-Jan-13	2431	SL
B	SYNC, UPDATED INNER STRUCTURE\RD-DM17010401M	12-Jan-17	02821	SH



RECOMMENDED  
PCB MOUNTING HOLE



**CUSTOMER OUTLINE DRAWING**  
ALL OTHER SHEETS ARE FOR INTERNAL USE ONLY

<p>UNLESS OTHERWISE SPECIFIED, DIMENSIONS ARE IN METRIC AND TOLERANCES ARE:                  &lt;0.5mm ±0.05mm    0.5 - 6mm ±0.1mm    6 - 30mm ±0.2mm    30 - 120mm ±0.3mm    ANGLES ±1°</p>	MATERIAL	DRAWN M. ZHANG	DATE 11-Jan-17	<p>TITLE 1.0/2.3 R/A BULKHEAD PCB RECEPT. JACK - 75 OHM</p>	<p>Amphenol RF www.amphenolrf.com</p>
	REFERENCE AND CONFIGURATION LEVEL:	ENGINEER S. LI	DATE 15-Nov-10		
<p>NOTICE - These drawings, specifications, or other data (1) are, and remain the property of Amphenol corp. (2) must be returned upon request; and (3) are confidential and not to be disclosed to any person other than those to whom they are given by Amphenol Corp. the furnishing of these drawings, specifications, or other data by Amphenol Corp., or to any other person for any purpose is not to be regarded by implication or otherwise in any manner licensing, granting rights to permitting such holder or any other person to manufacture, use or sell any product, process or design, patented or otherwise, that may in any way be related to or disclosed by said drawings, specifications, or other data.</p>	FINISH	APPROVED S. HSIEH	DATE 11-Jan-17	<p>SCALE: 6.0:1.0    SHEET 2 OF 2</p>	<p>ITEM NO. 106252AASA1FR7F</p>
			CAD FILE		<p>DWG SIZE B    REV B</p>