

NOTES:

1. MATERIALS AND FINISHES:  
 BODIES, SLEEVE, LOCK WASHER & NUT - BRASS, NICKEL PLATING  
 CONTACT - BeCu, GOLD PLATING  
 INSULATORS - PTFE, NATURAL  
 INSULATOR - DELRIN, NATURAL

2. ELECTRICAL:  
 A. IMPEDANCE: 75 OHM  
 B. FREQUENCY RANGE: DC - 12 GHz  
 C. RETURN LOSS: -20 dB MAX. @ DC - 6 GHz  
 -15 dB MAX. @ 6 - 12 GHz

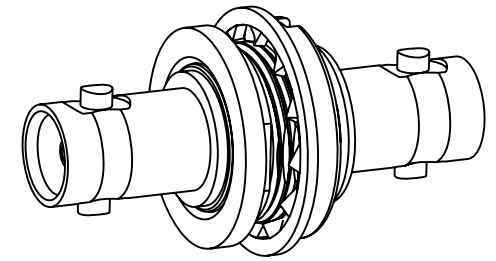
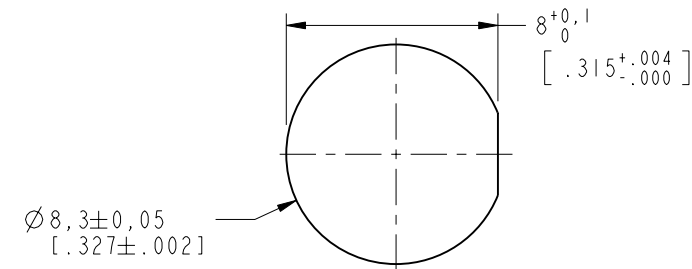
3. MECHANICAL:  
 A. DURABILITY: 500 CYCLES MIN.  
 B. TEMPERATURE RANGE: -65°C TO +165°C

4. PACKAGING:  
 A. QUANTITY: SINGLE PACK  
 B. MARKING: BAG TO BE MARKED  
 "AMPHENOL RF, 34-1110-12G, DATE CODE,  
 U.S. PATENT NO. 7,553,117"

THIRD ANGLE PROJ.

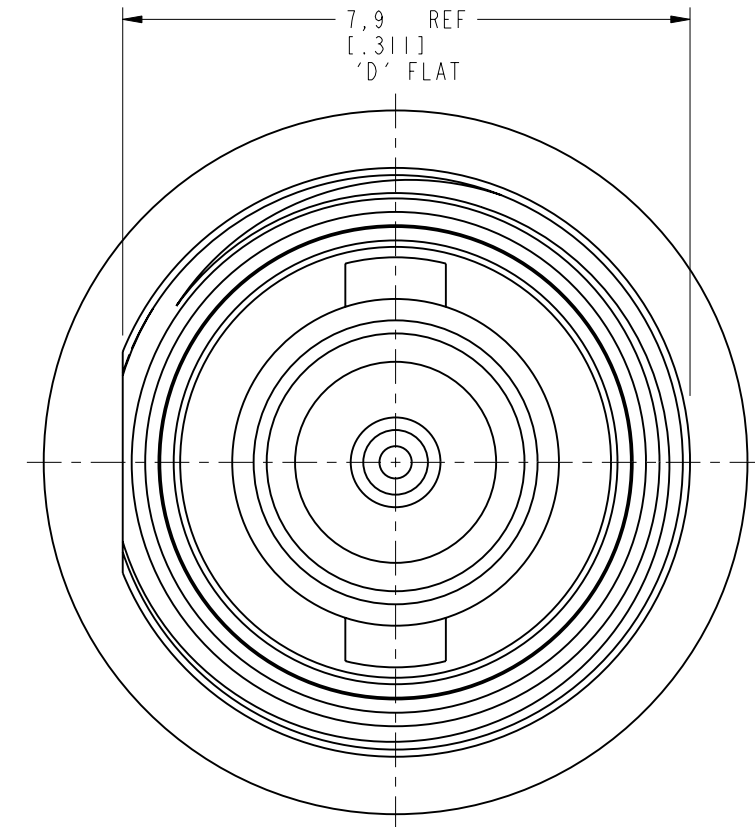
REVISIONS

REV	DESCRIPTION	DATE	ECN	APPR
A	RELEASE TO MFG.	02-Jan-19	10122	EH

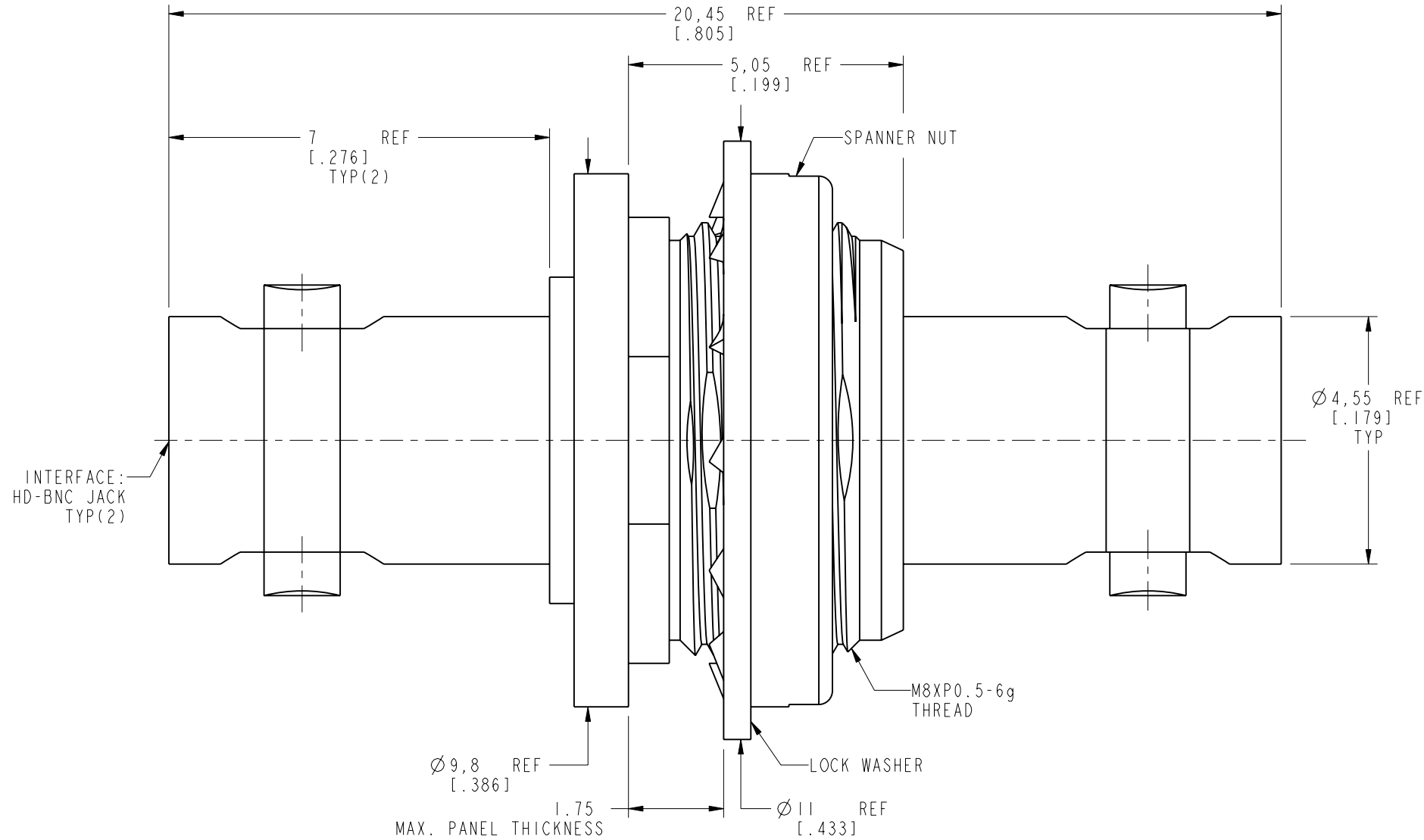


SCALE 3.000

RECOMMENDED MOUNTING HOLE DIMENSIONS



LOCK WASHER & NUT-SPANNER NOT SHOWN



PROTECTED UNDER U.S. PATENT # 7,553,177

CUSTOMER OUTLINE DRAWING

ALL OTHER SHEETS ARE FOR INTERNAL USE ONLY

UNLESS OTHERWISE SPECIFIED, DIMENSIONS ARE IN METRIC AND TOLERANCES ARE: <0.5mm ±0.05mm    0.5 - 6mm ±0.1mm    6 - 30mm ±0.2mm    30 - 120mm ±0.3mm    ANGLES ±1°	MATERIAL SEE NOTES	DRAWN K. SONG	DATE 05-Jan-19	TITLE HD-BNC STR BHD JACK TO JACK ISOLATED ADAPTER	Amphenol RF www.amphenolrf.com
	REFERENCE EAR# 7824 REF: APH-HD-ISO-HD	ENGINEER ANANDH G	DATE 14-Sep-17		
NOTICE - These drawings, specifications, or other data (1) are, and remain the property of Amphenol corp. (2) must be returned upon request; and (3) are confidential and not to be disclosed to any person other than those to whom they are given by Amphenol Corp. the furnishing of these drawings, specifications, or other data by Amphenol Corp., or to any other person to anyone for any purpose is not to be regarded by implication or otherwise in any manner licensing, granting rights to permitting such holder or any other person to manufacture, use or sell any product, process or design, patented or otherwise, that may in any way be related to or disclosed by said drawings, specifications, or other data.	CONFIGURATION LEVEL: In Work	APPROVED S. HSIEH	DATE 08-Jan-19	DWG SIZE B	REV A
	FINISH	CAD FILE			
				DRAWING NO. 34-1110-12G	
				ITEM NO. 34-1110-12G	
				PART NO. 34-1110-12G	