

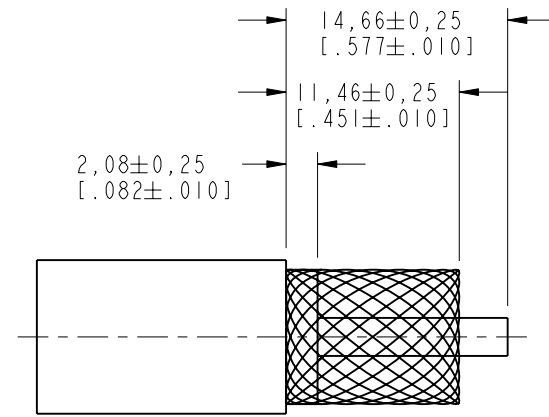
NOTES:

1. MATERIALS AND FINISHES:
 BODY, COUPLING NUT- BRASS, NICKEL PLATING.
 CONTACT- BRASS, SILVER PLATING.
 SPRING WASHER- BeCu, NICKEL PLATING.
 INSULATOR- PTFE
2. ELECTRICAL:
 A. IMPEDANCE: 50 OHM
 B. DIELECTRIC WITHSTANDING VOLTAGE: 3000 VRMS, MIN.
3. MECHANICAL:
 A. DURABILITY: 500 CYCLES MIN.
 B. TEMPERATURE RANGE: -65°C TO +165°C.
4. PACKAGING:
 A. QUANTITY: SINGLE PACK
 B. MARKING: BAG TO BE MARKED
 "AMPHENOL RF, 82-532, AND DATE CODE"

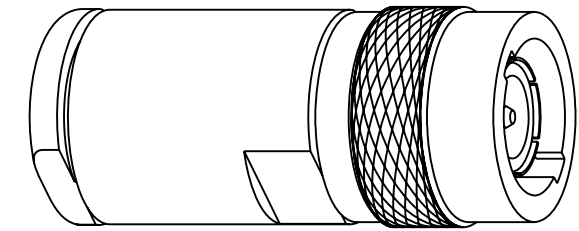
THIRD ANGLE PROJ.

REVISIONS

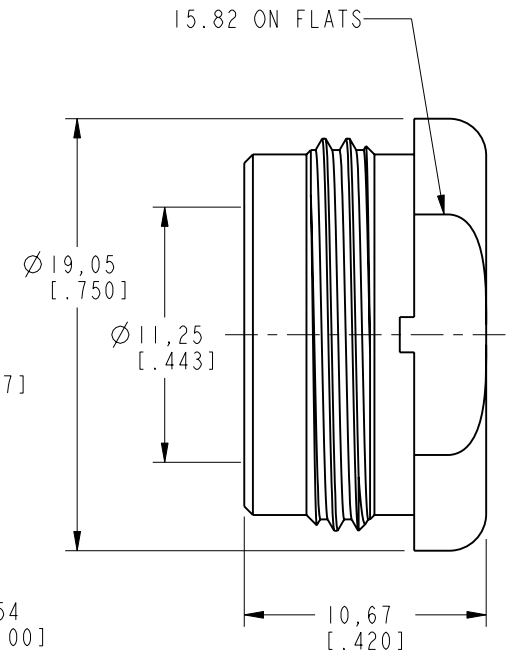
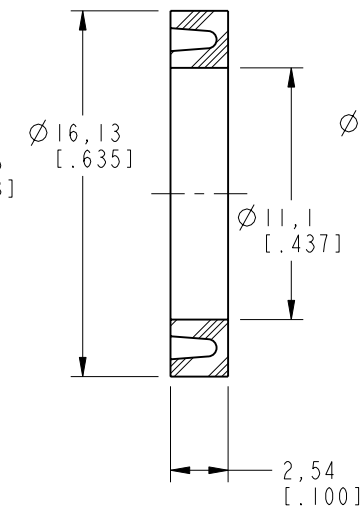
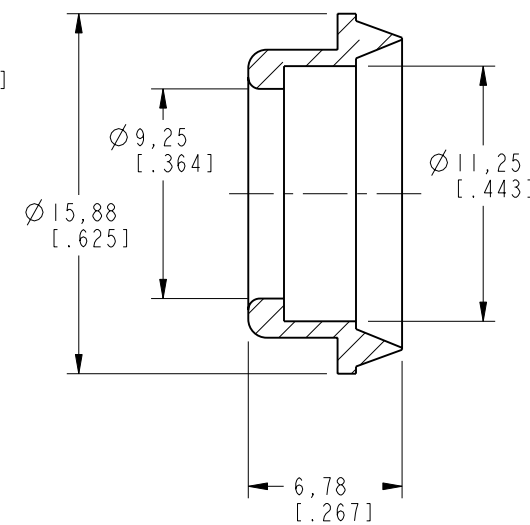
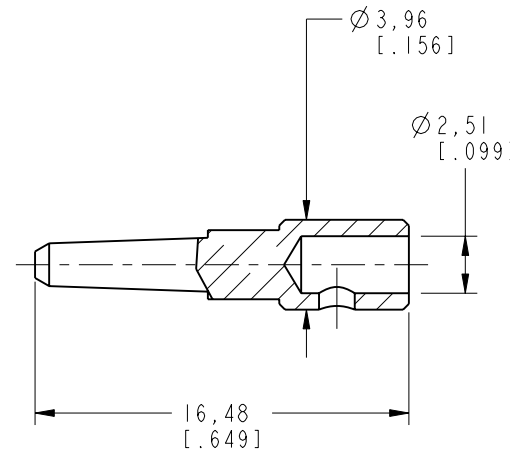
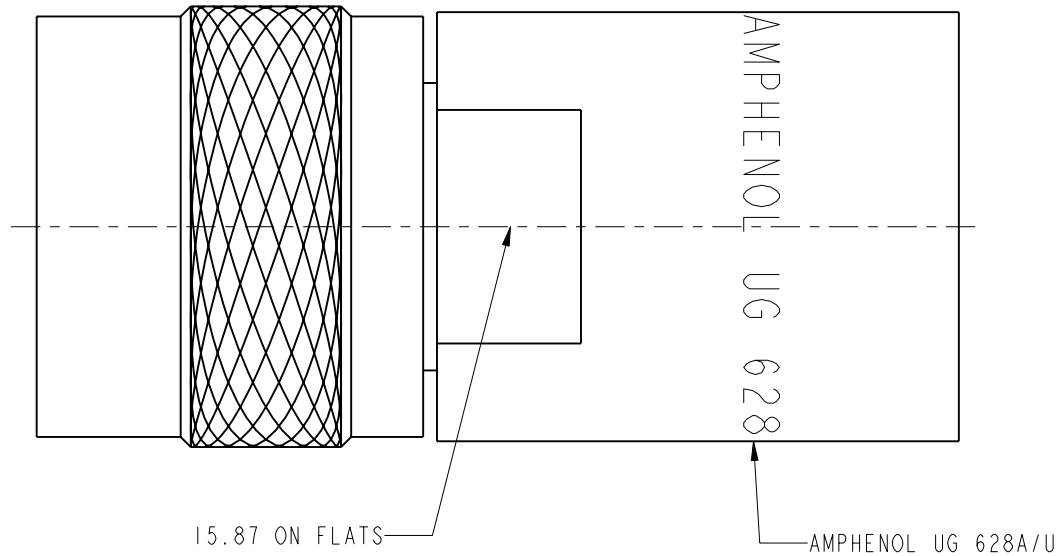
REV	DESCRIPTION	DATE	ECO	APPR
--	RELEASE TO MFG.	--	--	--
J	RE-DRAWN IN PRO-E, ADDED COD\RD-DM11051601R3	30-May-11	47652	SH
K	STAMP "AMPHENOL" WAS "74868"\RD-DM1120601R3	26-Dec-11	48845	SH



RECOMMENDED CABLE STRIPPING DIMENSIONS



SCALE 1.500



CUSTOMER OUTLINE DRAWING

ALL OTHER SHEETS ARE FOR INTERNAL USE ONLY

UNLESS OTHERWISE SPECIFIED, DIMENSIONS ARE IN METRIC AND TOLERANCES ARE:
 < 0.5mm ± 0.05mm 0.5 - 6mm ± 0.1mm 6 - 30mm ± 0.2mm 30 - 120mm ± 0.3mm ANGLES ± 1°

NOTICE - These drawings, specifications, or other data (1) are, and remain the property of Amphenol corp. (2) must be returned upon request; and (3) are confidential and not to be disclosed to any person other than those to whom they are given by Amphenol Corp. the furnishing of these drawings, specifications, or other data by Amphenol Corp., or to any other person to anyone for any purpose is not to be regarded by implication or otherwise in any manner licensing, granting rights to permitting such holder or any other person to manufacture, use or sell any product, process or design, patented or otherwise, that may in any way be related to or disclosed by said drawings, specifications, or other data.

MATERIAL	-
REFERENCE	-- AND
CONFIGURATION LEVEL:	<input type="checkbox"/> <input type="checkbox"/> <input type="checkbox"/>
FINISH	

DRAWN	R. MAO	DATE	12-Dec-11
ENGINEER	CLEMENT	DATE	26-Jun-09
APPROVED	S. HSIEH	DATE	12-Dec-11
CAD FILE			

TITLE		HI-VOLTAGE PLUG	
TYPE "C" UG-628 A/U		SCALE: 3.0:1.0	
DWG SIZE		SHEET 2 OF 2	
B		REV K	

Amphenol RF	
www.amphenolrf.com	
DRAWING NO. 82-532	
ITEM NO. 82-532	
PART NO. 82-532	