

NOTES:

1. MATERIALS AND FINISHES:

BODY - BRASS, GOLD PLATING (.000003" MIN. THICK)
 CONTACT - BeCu, GOLD PLATING (.000005" MIN. THICK)
 INSULATOR - PTFE, NATURAL

2. ELECTRICAL:

A. IMPEDANCE: 50 OHM
 B. FREQUENCY RANGE: DC - 6 GHz
 C. D.W.V: 1000 VRMS, MIN.

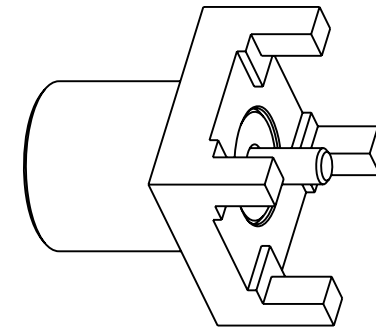
3. MECHANICAL:

A. DURABILITY: 500 CYCLES MIN.
 B. TEMPERATURE RANGE: -65°C TO +165°C

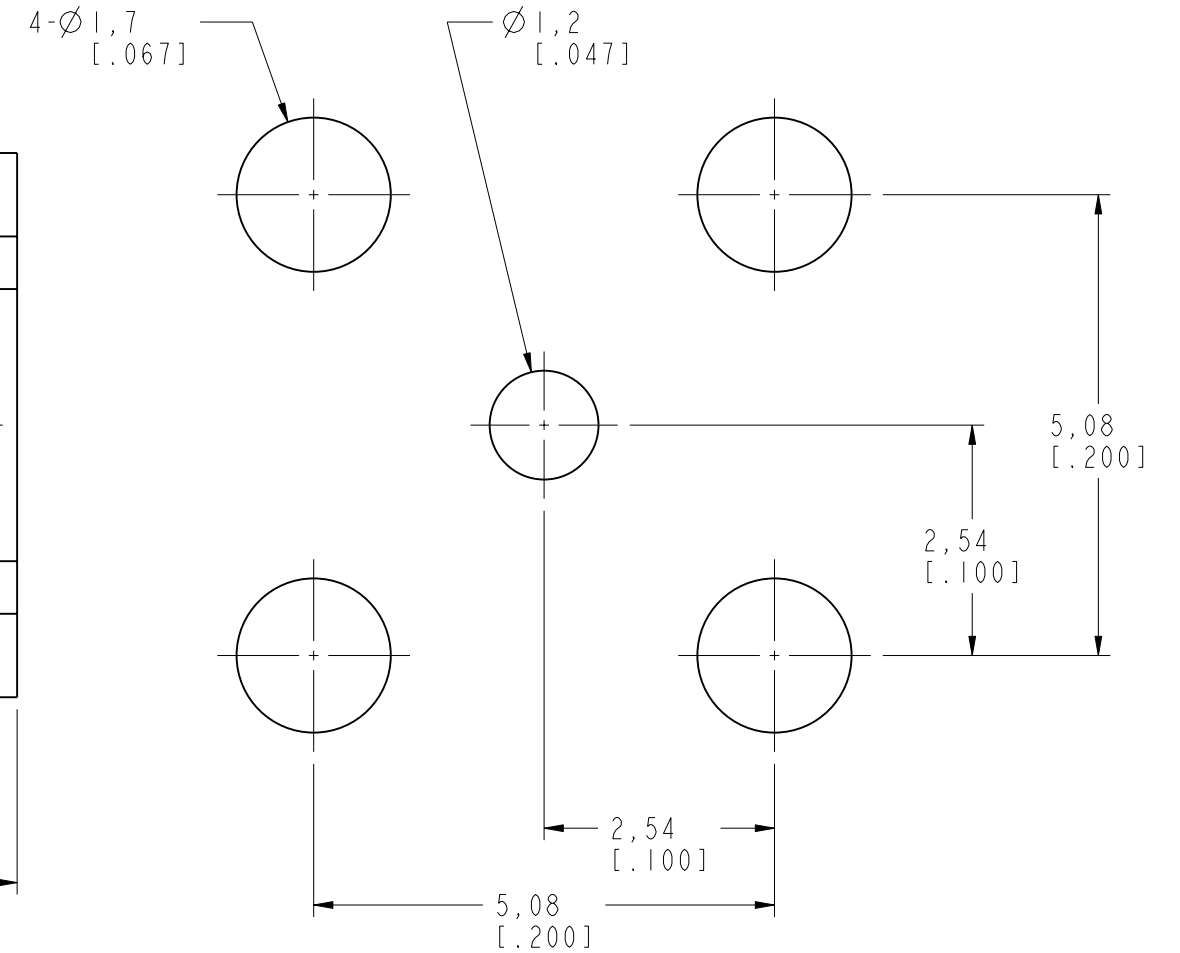
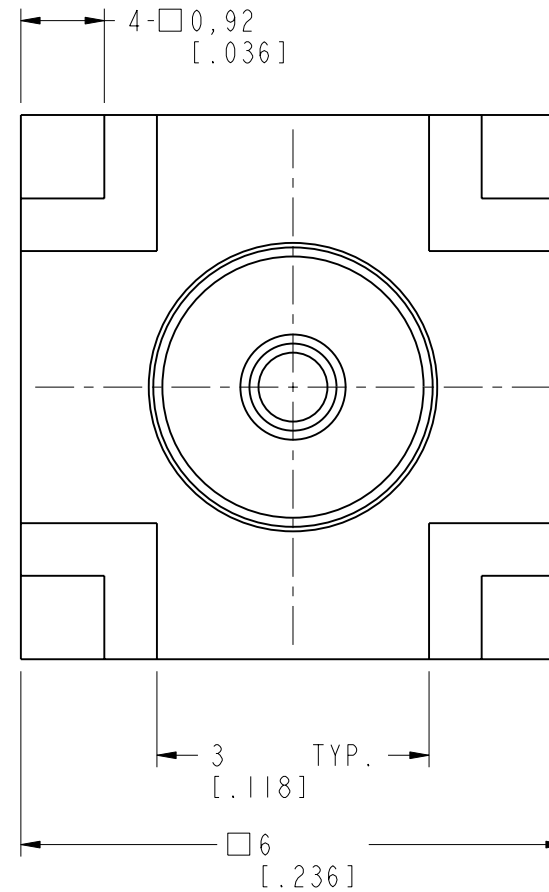
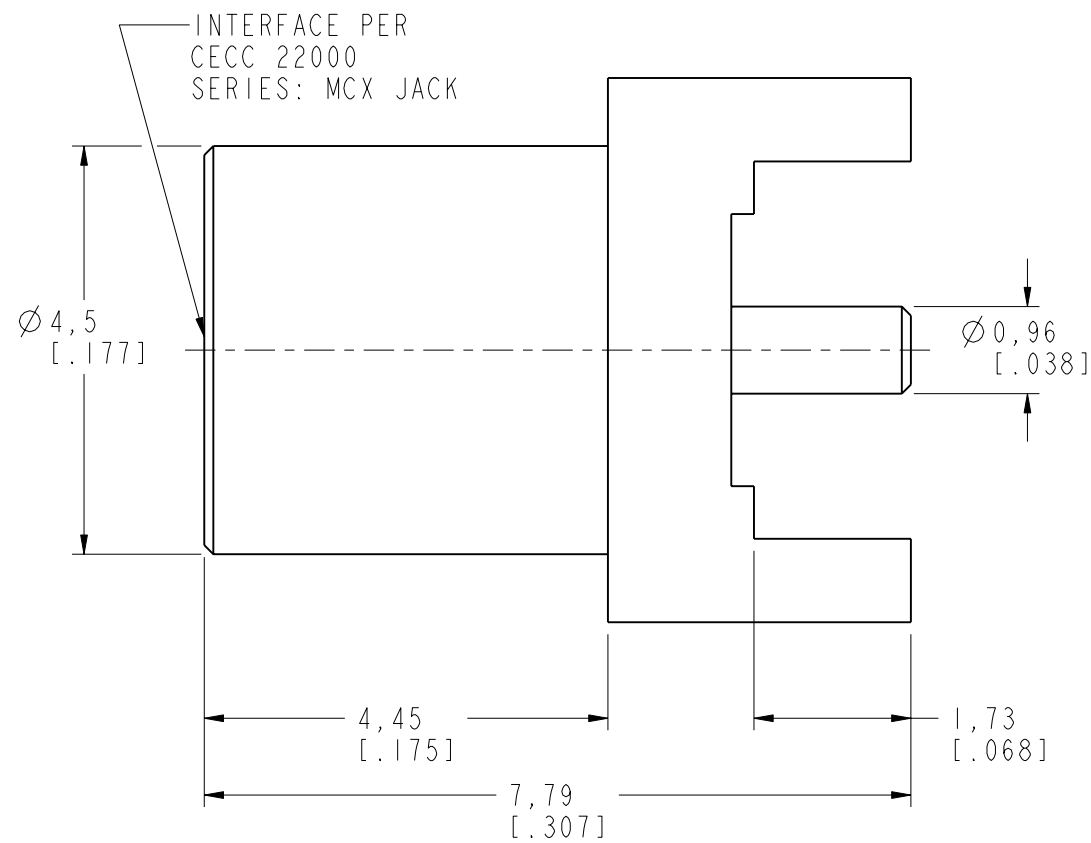
THIRD ANGLE PROJ.

REVISIONS

REV	DESCRIPTION	DATE	ECO	APPR
A	RELEASE TO MFG.	04-Jul-16	01326	MZ



SCALE 5.000



RECOMMENDED
PCB MOUNTING HOLE

CUSTOMER OUTLINE DRAWING
ALL OTHER SHEETS ARE FOR INTERNAL USE ONLY

UNLESS OTHERWISE SPECIFIED, DIMENSIONS ARE IN METRIC AND TOLERANCES ARE:
 < 0.5mm ± 0.05mm 0.5 - 6mm ± 0.1mm 6 - 30mm ± 0.2mm 30 - 120mm ± 0.3mm ANGLES ± 1°

NOTICE - These drawings, specifications, or other data (1) are, and remain the property of Amphenol corp. (2) must be returned upon request; and (3) are confidential and not to be disclosed to any person other than those to whom they are given by Amphenol Corp. the furnishing of these drawings, specifications, or other data by Amphenol Corp., or to any other person to anyone for any purpose is not to be regarded by implication or otherwise in any manner licensing, granting rights to permitting such holder or any other person to manufacture, use or sell any product, process or design, patented or otherwise, that may in any way be related to or disclosed by said drawings, specifications, or other data.

MATERIAL	DRAWN	DATE
-	M. ZHANG	04-Jul-16
REFERENCE	ENGINEER	DATE
AND	S. DUAN	04-Jul-16
CONFIGURATION LEVEL: In Work	APPROVED	DATE
FINISH	S. HSIEH	04-Jul-16
	CAD FILE	

TITLE	SCALE: 12.0:1.0	SHEET
MCX P.C. BOARD RECEPT. JACK (.068" LEGS)	2	2
DWG SIZE	REV	
B	A	

Amphenol RF	
www.amphenolrf.com	
DRAWING NO. 919-382J-51P	
ITEM NO. 919-382J-51P	
PART NO. 919-382J-51P	