

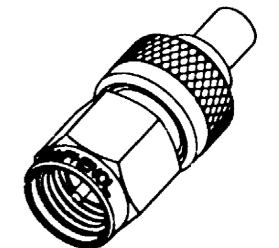
NOTES:

1. MATERIALS AND FINISHES:

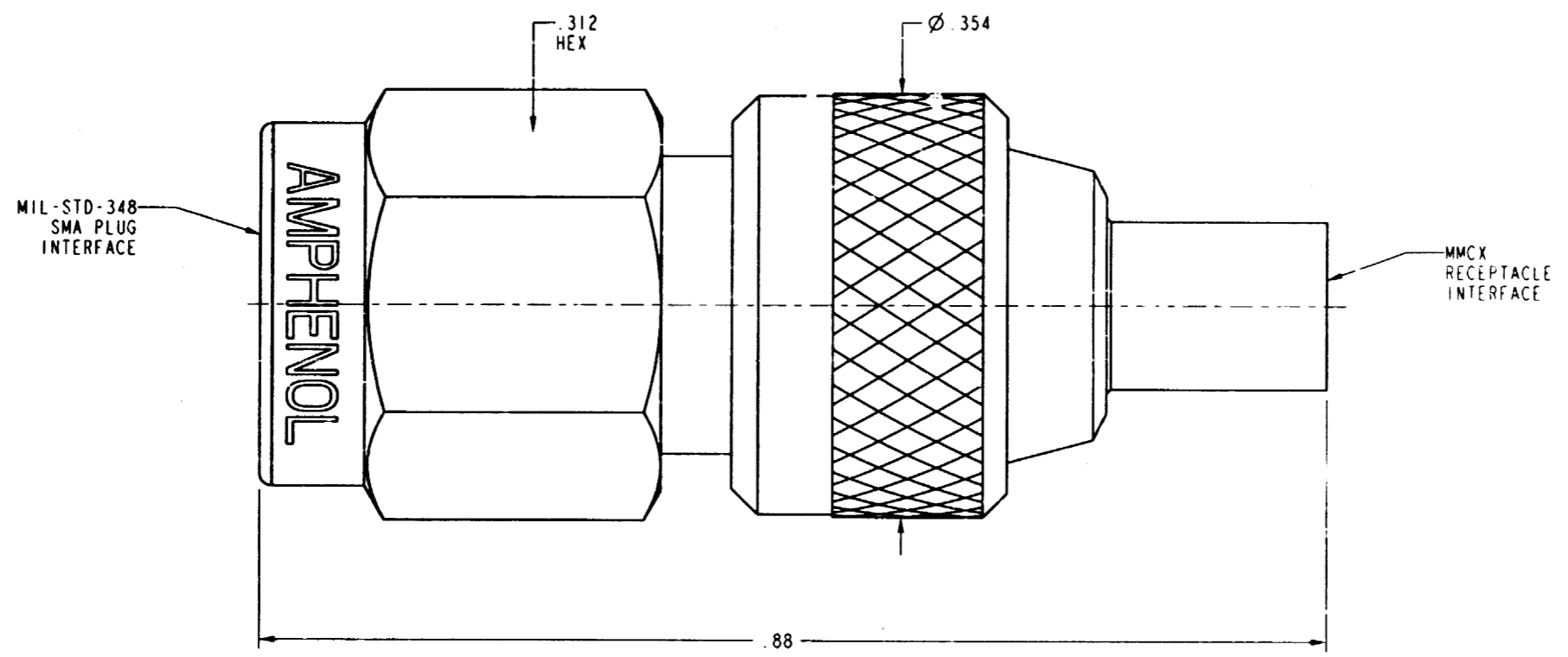
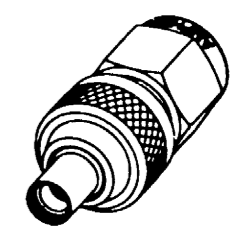
- BODIES - BERYLLIUM COPPER AND BRASS, GOLD PLATED
- COUPLING NUT - STAINLESS STEEL, PASSIVATED
- CONTACTS - BERYLLIUM COPPER, GOLD PLATED
- INSULATORS - TFE FLOUROCARBON

2. VSWR: 1.10 MAX, DC TO 6 GHz

908-32101		REVISIONS			
DRAWING NO.	REV	DESCRIPTION	DATE	ECO	APPR
THIRD ANGLE PROJ.	A	ENGINEERING RELEASE	8/27/97	42063	D LUI
	B	DOCUMENTATION CORRECTION, SEE ECO FOR DETAILS	7/2/97	42136	D LUI



SCALE 2:000



CUSTOMER OUTLINE DRAWING

UNLESS OTHERWISE SPECIFIED, DIMENSIONS ARE IN INCHES AND TOLERANCES ARE: 2 PLACE DECIMAL 3 PLACE DECIMAL ANGLES ± 0.15 (0.381 mm) ± 0.05 (0.127 mm) $\pm 1^\circ$	MATERIAL	DRAWN	DATE	TITLE	Amphenol Amphenol Corporation Communication and Network Products Division Danbury, CT U.S.A. 06810	
	REFERENCE	D. LUI	14-May-97	ADAPTOR MMCX (f) TO SMA (m)		
NOTICE - These drawings, specifications, or other data (1) are, and remain the property of Amphenol Corp. (2) must be returned upon request; and (3) are confidential and not to be disclosed to any person other than those to whom they are given by Amphenol Corp. The furnishing of these drawings, specifications, or other data by Amphenol Corp., or to any other person to anyone for any purpose is not to be regarded by implication or otherwise in any manner licensing, granting rights or permitting such holder or any other person to manufacture, use or sell any product, process or design, patented or otherwise, that may in any way be related to or disclosed by said drawings, specifications, or other data.	EAR 966439-0 615X-1464-100 GEN# ASSY_MMCF-SMAM	ENGINEER	DATE	SCALE 8:0:1	SHEET 2 OF 2	
		T. AUBIN	27-Aug-97	CODE ID 74868	DWG SIZE B	DRAWING NO. 908-32101
		CAD FILE				
		I:\MMCX\908-32101				