

**A. General.** These instructions contain information to convert from the MPO-IQ and EMP to Direct Vent.

**B. Materials provided** with this kit.

1. Direct Vent Kit (see Table 1 for Part Number)
2. Installation Instructions
3. Conversion Label
4. Instruction Envelope Assembly
5. Direct Vent Clearance Label

**C. Removal of AFG Burner.**

1. Unplug burner power cord from power outlet receptacle located in lower right corner of Front Jacket Panel.
2. Remove three (3) 5/16" -18 x 3/4" long Cap Screws securing burner to Burner Swing Door.
3. Remove oil burner from opening of Burner Swing Door.

**D. Installation of NX Burner.** Refer to Figure 1.

1. Check oil nozzle in burner for size, angle and type, inspect electrode settings, check head setting, check air band and air shutter settings. Refer to Table 2 of this supplement.
2. Place oil burner gasket on burner and align holes.

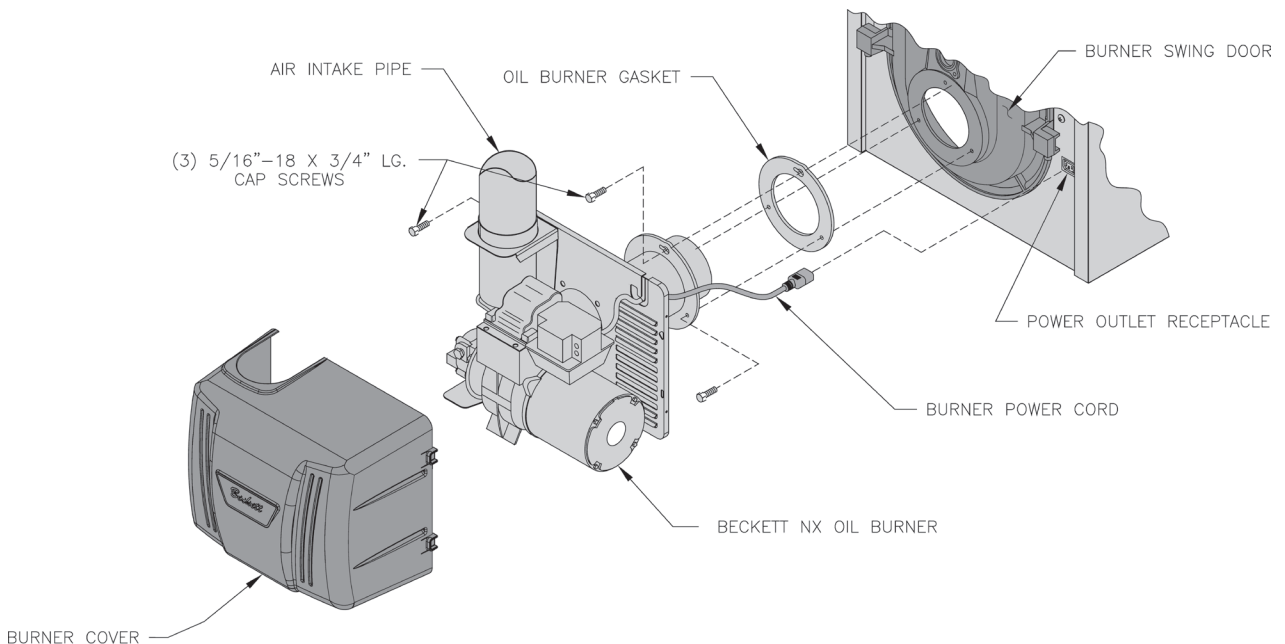
### CAUTION

**Do not install burner without gasket**

3. Thread (1) 5/16" -18 x 3/4" long cap screw, approximately three (3) full turns, into tapping located at 12:00 o'clock on burner swing door.
4. Insert oil burner into opening of burner swing door. Align and engage keyhole slot in burner flange over head of protruding cap screw installed in previous Step. Rotate burner to the right to lock flange behind head of cap screw.

**Table 1: Direct Vent Kit Part Numbers**

Description	Part No.	147/140	189/182	231/224
Direct Vent Kit Model FDVS-56	102130-02	1	1	---
Direct Vent Kit Model FDVS-67	102130-03	---	---	1



**Figure 1: Oil Burner Installation**

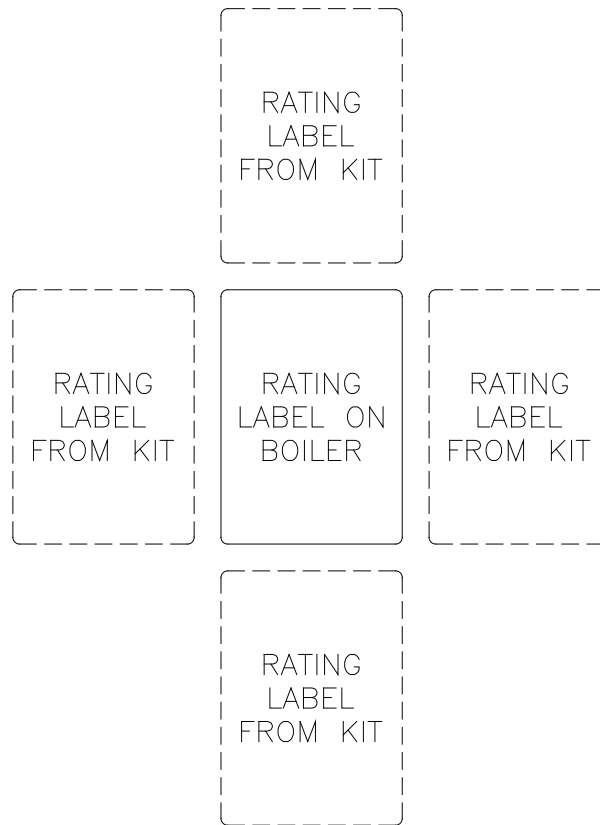
**Table 2: Beckett NX Burner Settings**

Boiler Size	Part No.	Firing Rate (GPH)	Air Tube Combination	Oil Nozzle	Head/Air Plate Setting	Pump Pressure
147/140	100240-02	1.00	NX70LB	Hago 0.85 - 60°B	2.75	150
189/182	100240-03	1.30	NX90LD	Hago 1.00 - 45°B	1.00	180
231/224	100240-04	1.60		Hago 1.25 - 45°B	2.25	

5. Align holes and install two (2) remaining cap screws. Level burner and fully tighten all three (3) screws.
6. Plug burner power cord into power outlet receptacle located in lower corner of front panel.

**E. Installation of Venting/Air Intake Piping.**

1. Refer to the *Installation, Operating and Service Instructions* for instructions to install the venting and air intake system.
2. Attach Rating Label provided in this kit adjacent to Rating Label on Boiler. See Figure 2.



**Figure 2: Conversion Kit Rating Label Installation**