

SUBMITTAL DATA SHEET: MPO-IQ Boiler



MPO-IQ™



**Oil Fired, Chimney Vented,
Cast Iron Water Boiler**



Date: _____

Job Name: _____

Location: _____

Engineer: _____

Wholesaler: _____

Contractor: _____

Submitted to: _____

Model Designation: _____

Fuel: _____



www.usboiler.net


U.S. Boiler Company, Inc. - Lancaster, PA
Phone: 1-888-432-8887

SUBMITTAL DATA SHEET: MPO-IQ Boiler

TECHNICAL INFORMATION



MPO-IQ Ratings & Specifications

Model	 AFUE (%)	Burner Cap. (GPH)	DOE Heating Cap. (MBH)	Net AHRI Water Rating (MBH)	Flue Collar (In.)	Min. Chimney Diameter (In.)	Water Content (Gal.)	Approx. Shipping Weight. (lbs.)	(DV) Approx. Shipping Weight (lbs.)
MPO-IQ84B	87	0.60	74	64	5	6	7.70	475	N/A
MPO-IQ115B	87	0.80	101	88	5	6	7.70	475	N/A
MPO-IQ147B	87	1.00	123	107	6	6	11.08	525	579
MPO-IQ189B	87	1.30	160	139	6	7	14.46	660	692
MPO-IQ231B	87	1.60	197	171	7	7	17.84	776	807

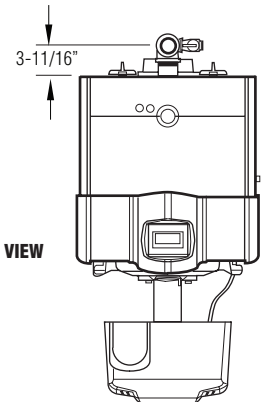
For direct vent applications, order boiler as "less burner", and add Beckett NX burner and DV kit from listings below

Dimensions (Inches)

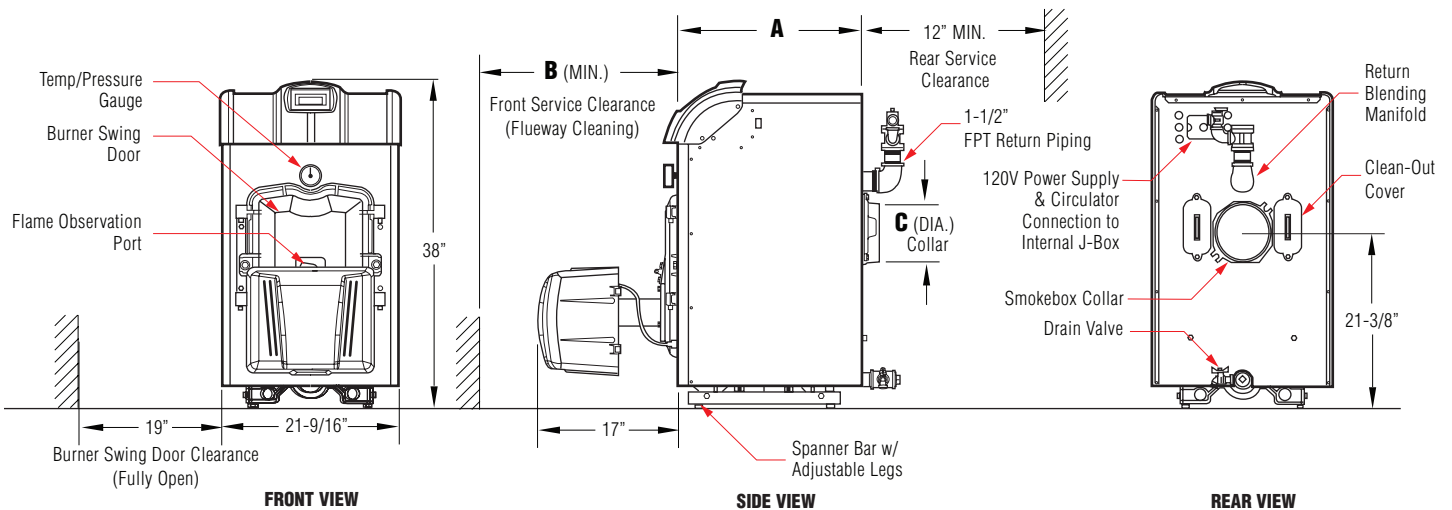
Model	'A'	'B'	'C'
MPO-IQ84B	16-5/8	24	5
MPO-IQ115B	16-5/8	24	5
MPO-IQ147B	22-5/8	24	6
MPO-IQ189B	28-5/8	30	6
MPO-IQ231B	34-5/8	30	7

Direct Vent Burners & Kits

Part No.	Description
103896-03	Beckett NX for MPO-IQ147B
103897-04	Beckett NX for MPO-IQ189B
103898-05	Beckett NX for MPO-IQ231B
102130-02	DV kit for MPO-IQ147B & MPO-IQ189B, 5"
102130-03	DV kit for MPO-IQ231B, 6"



TOP VIEW



SUBMITTAL DATA SHEET: MPO-IQ Boiler

STANDARD EQUIPMENT

- Precision cast and machined sections
- Return blending manifold
- Stylish, countoured, powder coated steel jacket
- Molded plastic control cover
- Insulated jacket (3")
- Reversible cast iron swing-away burner door
- Vacuum-formed burner door insulation
- Insulated, removable clean-out ports
- Integrated lifting legs
- Mounted and wired controls
- 30# relief valve
- Barometric draft regulator
- Boiler drain valve
- ECM circulator

IQ Oil Boiler Control

- 3-digit LED readout displays boiler status, settings, and error codes for easy set-up and troubleshooting
- Adjustable high limit and differential
- 120V input for indirect water heater or 2nd heating zone
- 120V output for indirect or second zone circulator
- Selectable, adjustable circulator pre-purge & post-purge
- Displays diagnostic and status info from primary control (when equipped with Carlin or Beckett burner)
- Concealed junction box in rear of boiler
- Accepts plug & play IQ Option Cards for simple installation of Outdoor Reset, Low Water Cutoff, & Aux. High Limit
- 3-digit display for option card settings, status and diagnostics.

OPTIONAL EQUIPMENT

DIRECT VENT OPTIONS & ACCESSORIES

Part Number	Description
_____ 103869-03	Beckett NX for MPO-IQ147B
_____ 102130-02	DV kit for MPO-IQ147B & 189B, 5"
_____ 103897-04	Beckett NX for MPO-IQ189B
_____ 103898-05	Beckett NX for MPO-IQ231B
_____ 102130-03	DV kit for MPO-IQ231B, 6"

IQ OPTIONS & ACCESSORIES

Part Number	Description
_____ 105648-01	IQ outdoor reset option card kit, wired
_____ 102711-01	IQ LWCO option card, auto reset
_____ 102714-01	IQ LWCO option card, manual reset
_____ 102717-01	IQ high limit option card, auto reset
_____ 105915-01	3.5" touch screen diagnostic display

DV FLEX OIL VENT PIPE & REDUCING TEES

Part Number	Description
_____ 100211-02	5" x 5' (FVOP- 505) - MPO-IQ147B & 189B
_____ 100212-02	5" x 10' (FVOP-510) - MPO-IQ147B & 189B
_____ 100213-02	5" x 15' (FVOP-515) - MPO-IQ147B & 189B
_____ 100214-02	5" x 20' (FVOP-520) - MPO-IQ147B & 189B
_____ 100211-03	6" x 5' (FOVP-605) - MPO-IQ231B
_____ 100212-03	6" x 10' (FOVP-610) - MPO-IQ231B
_____ 100213-03	6" x 15' (FOVP-615) - MPO-IQ231B
_____ 100214-03	6" x 20' (FOVP-620) - MPO-IQ231B
_____ 101689-03	Stainless steel reducing elbow - MPO-IQ147B & 189B
_____ 101689-05	Stainless steel reducing elbow - MPO-IQ231B

OPTIONAL BURNERS & ACCESSORIES

Part Number	Description
_____ 104506-02	Beckett AFG (MPO-IQ84B)
_____ 102276-01	Carlin EZ-LF (MPO-IQ84B)
_____ 104507-02	Beckett AFG (MPO-IQ115B)
_____ 102276-02	Carlin EZ-2F (MPO-IQ115B)
_____ 103143-02	Riello F3 (MPO-IQ115B)
_____ 104508-03	Beckett AFG (MPO-IQ147B)
_____ 102276-03	Carlin EZ-66 (MPO-IQ147B)
_____ 100831-01	Riello F5 (MPO-IQ147B)
_____ 104509-04	Beckett AFG (MPO-IQ189B)
_____ 102276-04	Carlin EZ-66 (MPO-IQ189B)
_____ 101762-01	Riello F5 (MPO-IQ189B)
_____ 104510-05	Beckett AFG (MPO-IQ231B)
_____ 102276-05	Carlin EZ-66 (MPO-IQ231B)
_____ 101763-01	Riello F5 (MPO-IQ231B)
_____ 102119-01	Fresh air kit for Beckett AFG burner w/ plastic cover

SUBMITTAL DATA SHEET: MPO-IQ Boiler

ADDITIONAL NOTES