

SUBMITTAL DATA SHEET: Series X-2 Boiler



Series X-2

**Gas Fired, Chimney Vented,
Cast Iron Water Boiler**

Date: _____

Job Name: _____

Location: _____

Engineer: _____

Wholesaler: _____

Contractor: _____

Submitted to: _____

Model Designation: _____

Fuel: _____



www.usboiler.net

U.S. Boiler Company, Inc. - Lancaster, PA
Phone: 1-888-432-8887

SUBMITTAL DATA SHEET: Series X-2 Boiler

TECHNICAL INFORMATION



X-2 Ratings & Specifications

Model	Input (MBH)	DOE Heating Capacity (MBH)	Net AHRI Rating, Water (MBH)	AFUE%	Vent Size (Inches)	Approx. Shipping Weight. (lbs.)
X-202	38	32	28	84.0	4	202
X-203	70	59	51	84.0	4	254
X-204	105	88	77	84.0	5	304
X-205	140	117	102	84.0	6	357
X-206	175	146	127	84.0	6	405
X-207	210	176	153	84.0	7	462
X-208	245	205	178	84.0	7	518
X-209	280	234	203	84.0	8	564

SPECIFICATION NOTES:

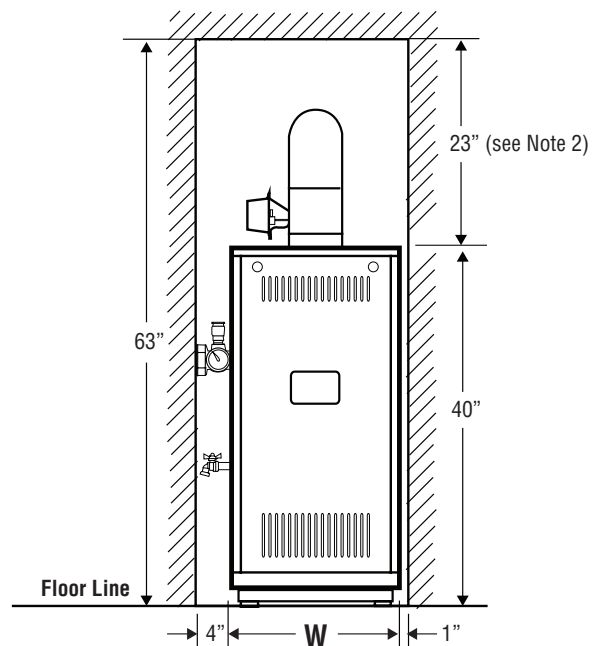
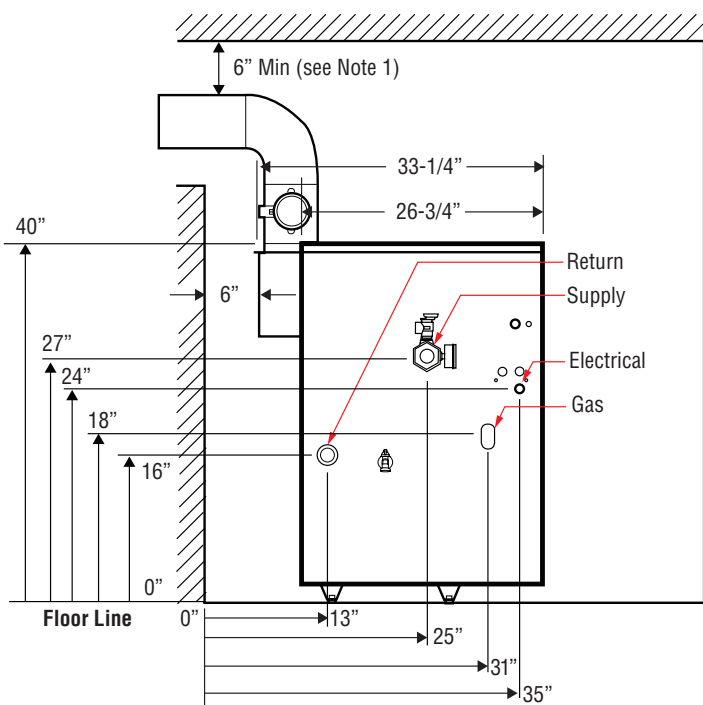
- Add suffix "N" for natural gas, or suffix "L" for LP gas models.
- All models certified for use from sea level to 10,000 feet in elevation. Outputs are reduced by 4% per 1,000 feet above sea level for elevations above 2,000 ft.
- All X-2 boilers are shipped with 30 psi relief valves, MAWP is 50 psi.

X-2 Dimensions & Connections

Model	Width "W" (inches)	Connections (inches)				Water Content (gal.)
		Supply	Return	Gas Valve	Relief Valve	
X-202	14	1-1/4	1-1/4	1/2	3/4	1
X-203	14	1-1/4	1-1/4	1/2	3/4	2
X-204	16	1-1/4	1-1/4	1/2	3/4	3
X-205	19	1-1/4	1-1/4	1/2	3/4	4
X-206	22	1-1/4	1-1/4	1/2	3/4	5
X-207	25	1-1/4	1-1/4	3/4	3/4	6
X-208	28	1-1/4	1-1/4	3/4	3/4	7
X-209	31	1-1/4	1-1/4	3/4	3/4	8

DIMENSION NOTES:

1. Minimal radial distance around vent pipe and breaching for single-wall metal pipe vent connector, otherwise follow vent connector manufacturer's recommended clearances.
2. Add height required to maintain 6" clearance from all breaching components.



SUBMITTAL DATA SHEET: Series X-2 Boiler

STANDARD EQUIPMENT

- Intelligent Hydronic Control – Simple self-diagnostic control system with 3-digit readout for status settings and errors
- Pre-installed IDL-1200 integral LWCO with auto reset
- Insulated steel jacket
- Integrated draft diverter, damper, and connector included
- Heavy gauge 1” base insulation
- Step-opening redundant gas valve
- Spark ignition with continuous retry
- User-friendly wiring with 120V J-box
- Circulator – choice of Taco or Grundfos
- Cast iron section assembly
- Resettable blocked vent switch
- Boiler drain valve
- Cast iron supply manifold with safety relief valve tapping

ADDITIONAL NOTES

SUBMITTAL DATA SHEET: Series X-2 Boiler

ADDITIONAL NOTES