

# SUBMITTAL DATA SHEET: SteamMax Boiler



# SteamMax

---

**Gas, Steam  
Cast Iron Heat Exchanger**

Date: \_\_\_\_\_

Job Name: \_\_\_\_\_

Location: \_\_\_\_\_

Engineer: \_\_\_\_\_

Wholesaler: \_\_\_\_\_

Contractor: \_\_\_\_\_

Submitted to: \_\_\_\_\_

Model Designation: \_\_\_\_\_

Fuel: \_\_\_\_\_



[www.usboiler.net](http://www.usboiler.net)

U.S. Boiler Company, Inc. - Lancaster, PA  
Phone: 1-888-432-8887

# SUBMITTAL DATA SHEET: SteamMax Boiler

## TECHNICAL INFORMATION

### SteamMax Ratings & Specifications

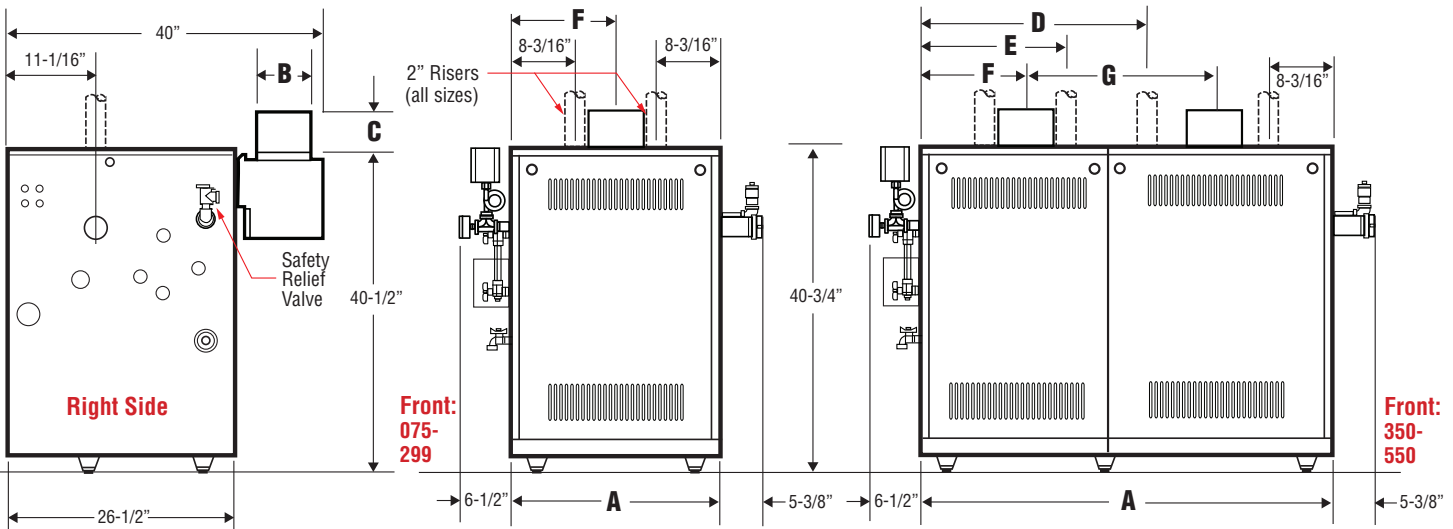
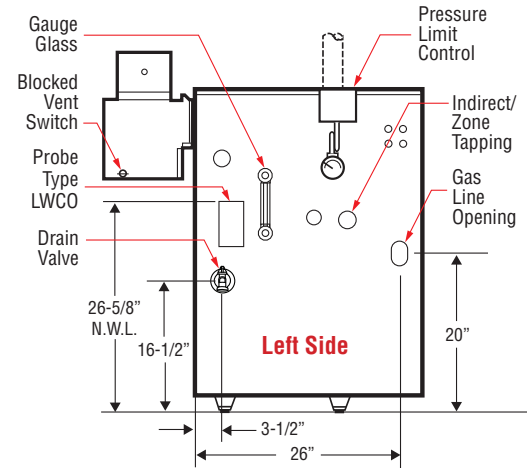
Model	Input <sup>1</sup> (MBH)	Output (MBH)	Net AHRI Rating <sup>2</sup>		AFUE (%)	Combustion Efficiency (%)	Sections	Vent Size (In.)	Approx Ship Weight (lbs.)
			Steam (sq.ft.)	Steam (MBH)					
STMX075	75	62	169	47	82.0	—	3	5	N/A <sup>5</sup>
STMX100	100	82	258	62	82.0	—	3	5	484
STMX125	125	103	321	77	82.0	—	4	6	600
STMX150	150	124	388	93	82.0	—	4	6	600
STMX175	175	144	450	108	82.0	—	5	7	729
STMX200	200	165	517	124	82.0	—	5	7	729
STMX250	250	206	646	155	82.0	—	6	8	842
STMX299	299	246	771	185	82.0	—	7	8	881 <sup>6</sup>
STMX350	350	284	892	213	81.0 <sup>3</sup>	82.5	8	9 <sup>4</sup>	1,008 <sup>6</sup>
STMX399	399	323	1,013	242	81.0 <sup>3</sup>	82.5	9	9 <sup>4</sup>	1,123 <sup>6</sup>
STMX450	450	365	1,142	274	81.0 <sup>3</sup>	82.5	10	10 <sup>4</sup>	1,239 <sup>6</sup>
STMX500	500	405	1,271	304	81.0 <sup>3</sup>	82.5	11	10 <sup>4</sup>	1,354 <sup>6</sup>
STMX550	550	446	1,396	335	81.0 <sup>3</sup>	82.5	12	12 <sup>4</sup>	1,469 <sup>6</sup>



- 1 Input ratings can be used for elevations up to 2000 ft.
- 2 Net AHRI Ratings shown are based on a piping and pickup allowance of 1.333. The manufacturer should be consulted before selecting a boiler for installations having unusual piping and pickup requirements, such as intermittent operation, extensive piping systems, etc.
- 3 Thermal efficiency
- 4 Final Size
- 5 Conversion kit required, see "Accessories"
- 6 Weight for knock-down units

### SteamMax Dimensions (inches)

Model	A	B	C	D	E	F	G	Supply (NPT)	Return (NPT)	Gas Connection (NPT)
STMX075	17	5	6	—	—	8-1/2	—	(1) 2	2	1/2
STMX100	17	5	6	—	—	8-1/2	—	(1) 2	2	1/2
STMX125	22	6	6-1/2	—	—	11	—	(1) 2	2	1/2
STMX150	22	6	6-1/2	—	—	11	—	(1) 2	2	3/4
STMX175	27	7	7	—	—	13-1/2	—	(2) 2	2	3/4
STMX200	27	7	7	—	—	13-1/2	—	(2) 2	2	3/4
STMX250	32	8	7-1/2	—	—	16	—	(2) 2	2	3/4
STMX299	37	8	7-1/2	—	—	18-1/2	—	(2) 2	2	3/4
STMX350	42	6 & 7	—	—	23-3/16	11	17-1/2	(3) 2	2	3/4
STMX399	47	6 & 8	—	—	23-3/16	11	20	(3) 2	2	1
STMX450	52	7 & 8	—	28-3/16	18-3/16	13-1/2	22-1/2	(4) 2	2	1
STMX500	57	8 & 8	—	33-3/16	23-3/16	16	25	(4) 2	2	1
STMX550	62	8 & 8	—	38-3/16	23-3/16	16	27-1/2	(4) 2	2	1



# SUBMITTAL DATA SHEET: SteamMax Boiler

## STANDARD EQUIPMENT

- 10-year waterside corrosion warranty (residential only, under 300 MBH only)
- Cast iron sectional design with metal push nipples
  - Wide waterways
  - Heat transfer pins below water line
  - Large steam disengaging area (steam chest)
  - Tappings on both ends
- SteamMax boiler control suite
- Industrial-grade pressuretrol
- Probe-type low water cut-off
- Optimized stainless steel burners
- Step-opening gas valve
- 2" risers
- Rear-mounted low profile draft diverter
- Vent damper (models 075-299)
- Junction box
- Thermostat isolating relay
- 15 PSI relief valve
- Gauge glass

### Residential Builds (100-550 MBH)

- Combustion controls, continuous retry ignition (Honeywell® 8610M)
- Draw rods/nuts/plates included with knock-down units (KS and KI models only)

### Commercial Builds (450-550 MBH)

- Dual combustion controls, manual reset ignition, alarm (UTEC®1003 and UTEC 1145-2)
- Additional auxiliary pressuretrol, manual reset, industrial, anti-leak (Honeywell® L4079B)
- Additional auxiliary LWCO, manual reset, (choice of McDonnell & Miller® PSE802M or Hydrolevel® 500)
- Draw rods/nuts/plates included
- Gas control assembly

## OPTIONAL EQUIPMENT

### OPTIONS AND ACCESSORIES

Part Number	Description
_____ 111295-01	Near boiler piping kit (75 MBH to 150 MBH)
_____ 111296-01	Near boiler piping kit (175 MBH to 250 MBH)
_____ 108594-01	Anode rod kit
_____ 111251-01	Input conversion kit, 100 MBH to 75 MBH

### CSD-1 UPGRADE ACCESSORIES (Residential only: 100 MBH - 550 MBH)

Part Number	Description
_____ 111281-01	Pressuretrol, manual reset, industrial, anti-leak, Honeywell® L4079B
_____ 111273-01	LWCO, manual reset, McDonnell & Miller PSE802M
_____ 111293-01	LWCO, Manual Reset, Hydrolevel 500
_____ 111276-01	CSD-1 kit; includes Honeywell Pressuretrol L4079B and Hydrolevel 500 LWCO (both manual reset)
_____ 111294-01	CSD-1 kit; includes Honeywell Pressuretrol L4079B and McDonnell & Miller PSE802M LWCO (both manual reset)

# SUBMITTAL DATA SHEET: SteamMax Boiler

ADDITIONAL NOTES