

SOLO
FM9405
FLUSH MOUNT

PROJECT



DESCRIPTION

LED flush mount made from heavy gauge cast aluminum painted white, round cylinder shaped. Adjustable from mounting position 90 degrees with a 360 degrees radius. Perfect for commercial use to control the exact point to direct the light to weather it's against a wall, product display or many other applications. Equipped with our powerful 120V AC LED technology. May be wall or ceiling mounted.



FM9405-WH
White

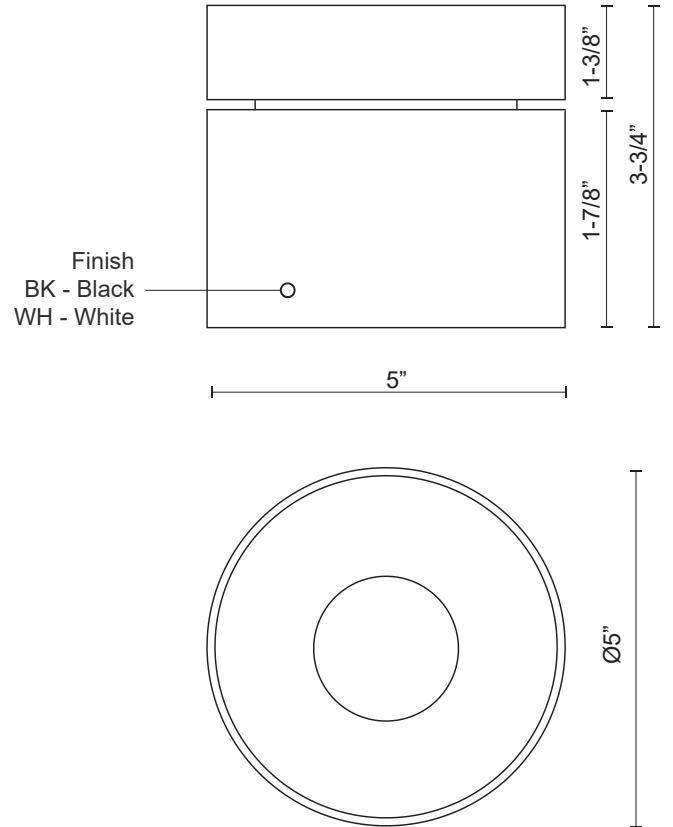


FM9405-BK
Black

SPECIFICATION DETAILS

* For custom options, consult factory for details.

Fixture Dimensions	D5" x H3-3/4"
Light Source	AC LED Module
Wattage	20W
Total Lumens	1500lm
Delivered Lumens	1355lm
Voltage	120V
Color Temperature	3000K
CRI (Ra)	90CRI
Optional Color Temps	2700K - 5000K Available, Minimum Order Quantities Apply
LED Rated Life	50,000 hours
Diffuser Details	Frosted acrylic diffuser
Dimming	100% - 10%, ELV Dimmer (Not Included)
Location	Dry
Warranty	5 Years
Mounting Style	All Orientation; Ceiling and Wall;
Canopy Dimensions	D5" x H1-3/8"



KUZCO

19054 28TH AVENUE
SURREY - BC V3Z 6M3
CANADA

WWW.KUZCOLIGHTING.COM

COMMENT

