

# SONDER TL83708

## TABLE LAMPS

PROJECT



TL83708-BK/WH  
Black/White

### SPECIFICATION DETAILS

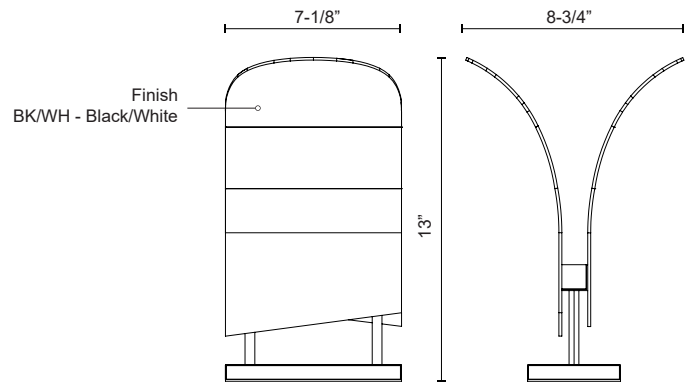
<b>Fixture Dimensions</b>	L7-1/8" x W8-3/4" x H13"
<b>Light Source</b>	AC LED Module
<b>Wattage</b>	9W
<b>Total Lumens</b>	640lm
<b>Delivered Lumens</b>	420lm*
<b>Voltage</b>	120V
<b>Color Temperature</b>	3000K
<b>CRI (Ra)</b>	90CRI
<b>Optional Color Temps</b>	2700K - 5000K Available, Minimum Order Quantities Apply
<b>LED Rated Life</b>	50,000 hours
<b>Dimming</b>	Non-Dimming, ON/OFF Switch Only
<b>Wire Length</b>	72"
<b>Wire Type</b>	Black Cord
<b>Location</b>	Dry
<b>Illumination Direction</b>	Uplight
<b>Base Dimensions</b>	L7-1/8" x W3-3/4" x H5/8"
<b>Paint Finish</b>	BK02; WH02;

\* For custom options, consult factory for details.

\* For warranty information, please visit [www.kuzcolighting.com/warranty](http://www.kuzcolighting.com/warranty)

### DESCRIPTION

The Sander collection aims to honor the simple juxtaposition of shape and color in a space. With two asymmetric shades adorned in black and white duo-toned finishes, this collection creates modern balance. Providing ample ambient down light to a space, the Sander doubles as a sculptural art piece.



# KUZCO

CANADA: 19054 28TH AVENUE - SURREY, BC V3Z 6M3  
USA: 3035 E. LONE MOUNTAIN ROAD - LAS VEGAS, NV 89081

[WWW.KUZCOLIGHTING.COM](http://WWW.KUZCOLIGHTING.COM)

© 2022 KUZCO LIGHTING. ALL RIGHTS RESERVED.

### COMMENT

