

NONAMÉ BOX MODS

1"

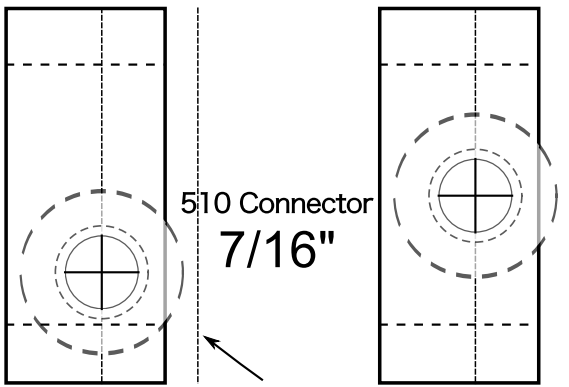
Scale

Hammond 1590G

DNA 75/200

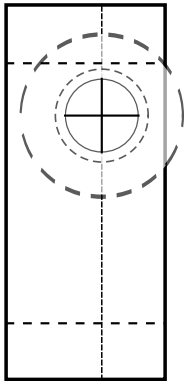
Cut outside of black lines, they are included in the dimensions. Align dashed lines with screw posts on inside of box. Holes are drilled off-center to account for the thickness of the lid.

nonameboxmods.com



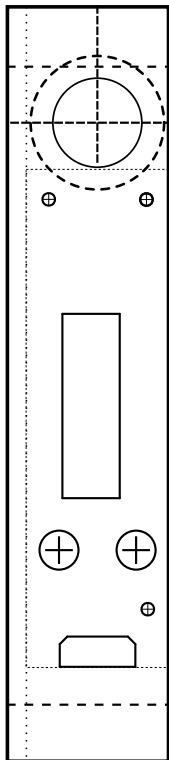
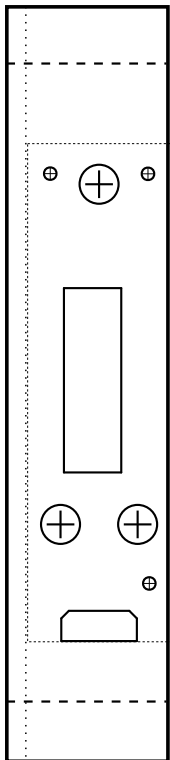
510 Connector
7/16"

Near Side will be easiest to assemble



510 Connector
7/16"

Extra
Button



Fire Button
1/2" Raised
Button

Cut out screen along black line

Adjustment Button
13/64" (5mm) Shelf Pin

Screw Hole
2mm or 5/64"