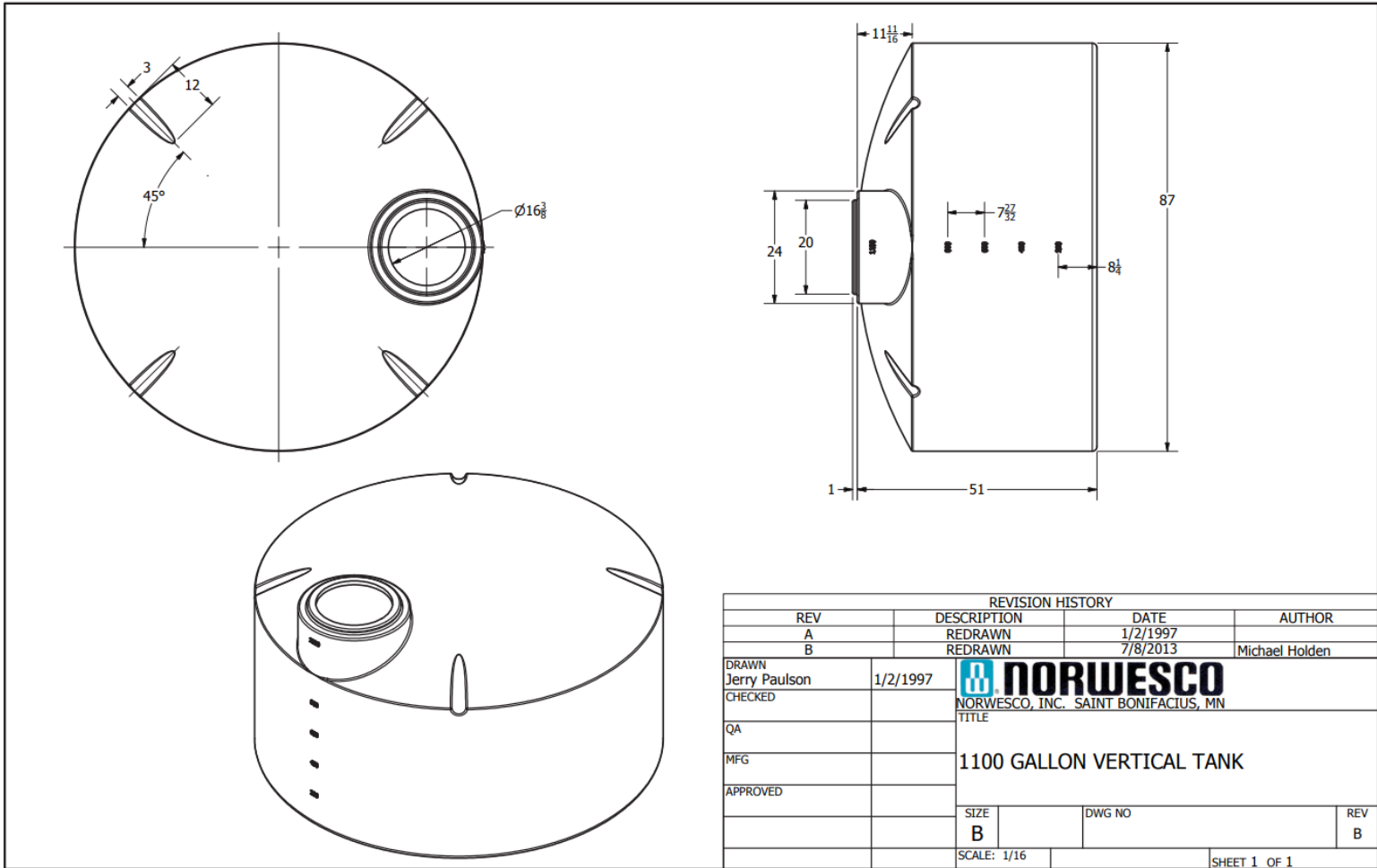




if it flows,
we go with it

1.800.665.4499
barrplastics.com



REVISION HISTORY			
REV	DESCRIPTION	DATE	AUTHOR
A	REDRAWN	1/2/1997	
B	REDRAWN	7/8/2013	Michael Holden

DRAWN Jerry Paulson	1/2/1997	 NORWESCO, INC. SAINT BONIFACIUS, MN TITLE	
CHECKED			
QA			
MFG			
APPROVED		1100 GALLON VERTICAL TANK	
	SIZE B	DWG NO	REV B
SCALE: 1/16		SHEET 1 OF 1	