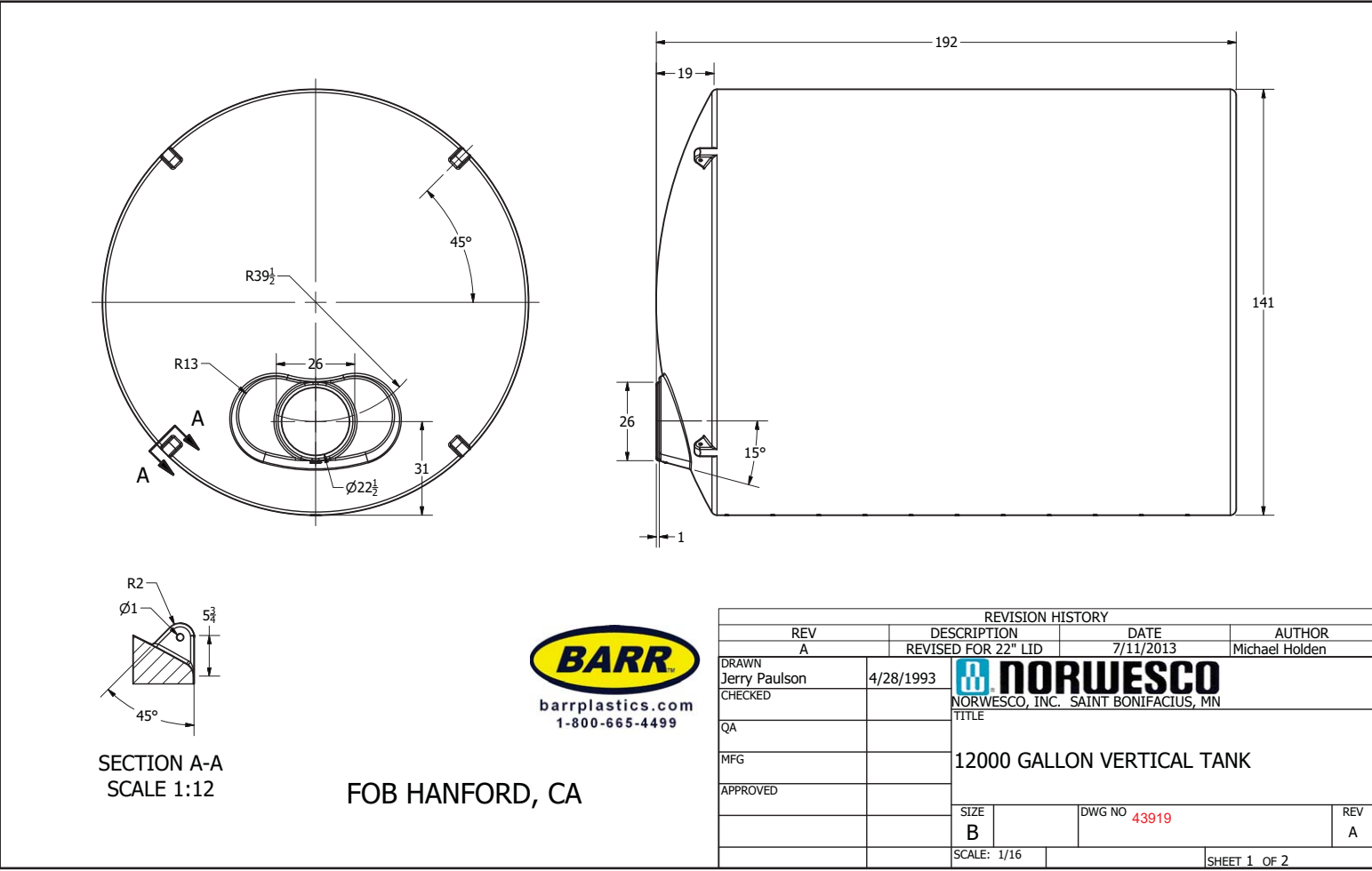




if it flows,
we go with it

1.800.665.4499
barrplastics.com



SECTION A-A
SCALE 1:12

FOB HANFORD, CA



REVISION HISTORY			
REV	DESCRIPTION	DATE	AUTHOR
A	REVISED FOR 22" LID	7/11/2013	Michael Holden
DRAWN	Jerry Paulson	4/28/1993	 NORWESCO, INC. SAINT BONIFACIUS, MN
CHECKED			
QA			
MFG			
APPROVED			
TITLE		12000 GALLON VERTICAL TANK	
SIZE	B	DWG NO	43919
SCALE:	1/16		REV A
			SHEET 1 OF 2