

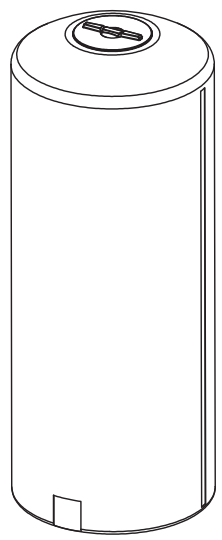
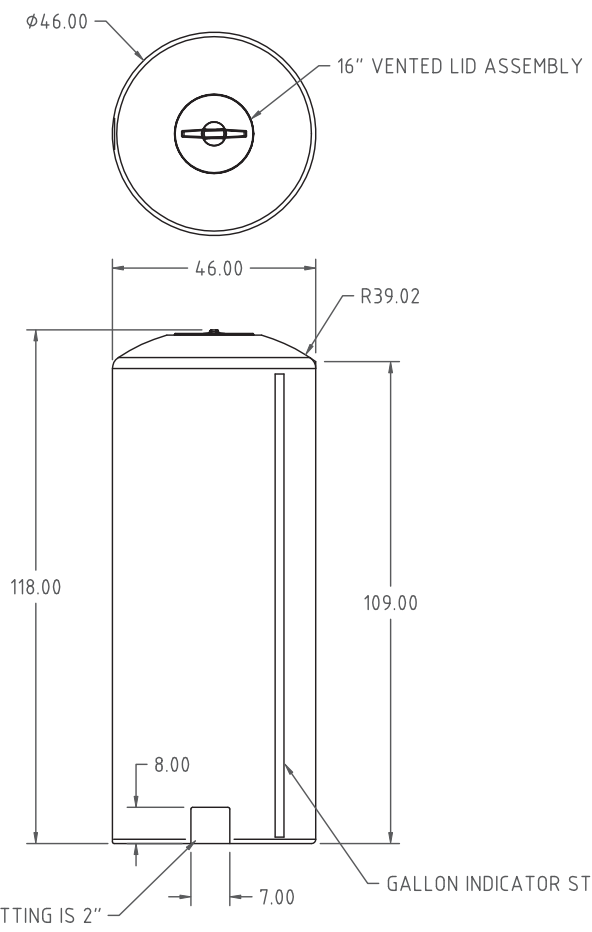


if it flows,
we go with it

1.800.665.4499
barrplastics.com

© DEN HARTOG INDUSTRIES, INC.
Copyright. All information furnished within this document, electronic file or design correspondence is the property of Den Hartog Industries, Inc. and shall not be used, disclosed to others or copied without the expressed written consent of Den Hartog Industries, Inc.

VT0800-46 B



		DRAWN / DATE		MATERIAL / SHOT WEIGHT		 ACE ROTO-MOLD A DIVISION OF DEN HARTOG INDUSTRIES, INC. 4010 HOSPERS DRIVE S., BOX 425, HOSPERS, IA 51238	
B	UPDATED TOLERANCE	CCN1823	3/12/09	REH	REH/4/24/01		
A	UPDATED SHOT WEIGHT		9/12/06		REH/4/24/01		CLIENT / DESCRIPTION
REV	DESCRIPTION	DATE	APPRD		REH/4/24/01		ACE 800 GALLON VERTICAL TANK
ALL DIMENSIONS ARE IN DECIMAL INCHES TOLERANCES UNLESS OTHERWISE SPECIFIED $\pm 1\%$ @ 68° F				THIRD ANGLE PROJECTION ANSI 14.5M 		NOTES: 1. .260 NOMINAL WALL	
						SCALE	PART NO.
						N.S.	VT0800-46