



if it flows,  
we go with it

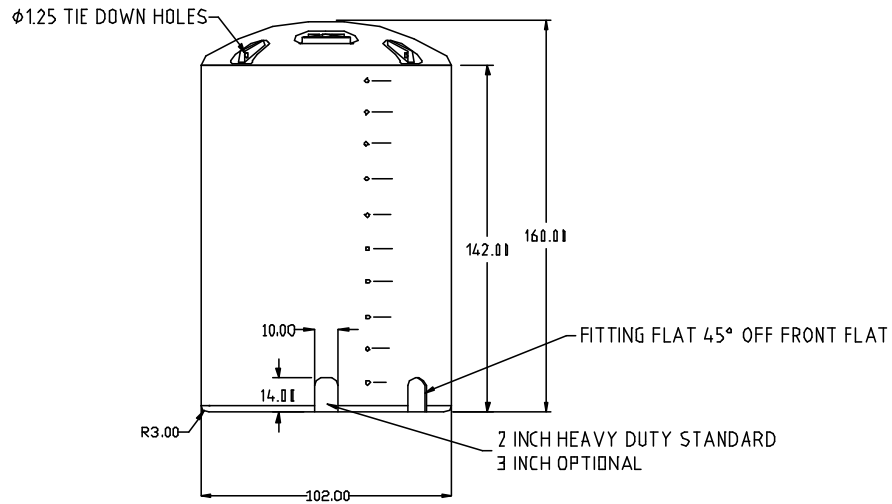
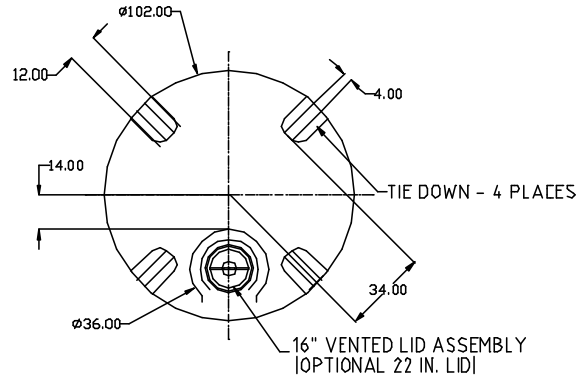
1.800.665.4499  
barrplastics.com

PROPRIETARY DATA

PROPERTY OF ACE ROTO-MOLD MFG., INC. INFORMATION FURNISHED HEREIN IS THE PROPERTY OF ACE ROTO-MOLD MFG., INC. AND SHALL NOT BE USED, DISCLOSED TO OTHERS, OR COPIED WITHOUT THE EXPRESSED WRITTEN CONSENT OF ACE ROTO-MOLD MFG., INC. ALL RIGHTS RESERVED.

VT5150-112

B



				DRAWN / DATE EVAN 3/28/95	MATERIAL HDPE OR EQUIVALENT REFERENCE MATERIAL DATA SHEET FOR SPECIFIC PROPERTIES.	 A DIVISION OF DOR FARTON INDUSTRIES 4018 HWY. 61 BLVD., BOX 421, HOSPERS, IOWA 52338	
B	ADD FITTINGS	9/31/03		APPRD. / DATE NVE 8/31/15			
A	WAS 24"	9/31/03			NOTES: 1. BLUE, GREEN, YELLOW, WHITE, AND BLACK COLOR 2. SHOT WEIGHT 1350 LBS. 3. 0.741 WALL @ FITTING	SCALE N.S.	PART NO. VT5150-102
REV	DESCRIPTION	DATE	APPRD			ALL DIMENSIONS ARE IN DECIMAL INCHES TOLERANCES UNLESS OTHERWISE SPECIFIED $\pm 1\% @ 68^\circ F$	

