

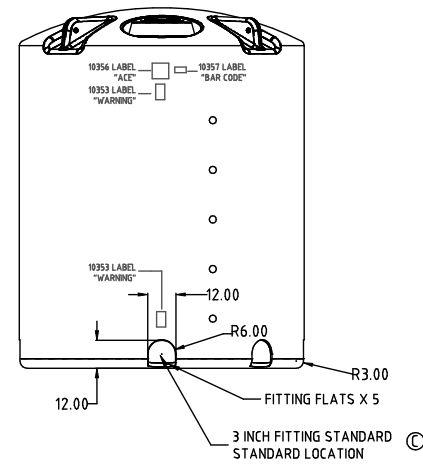
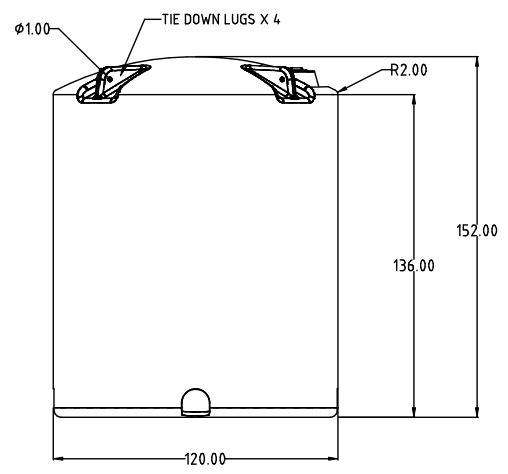
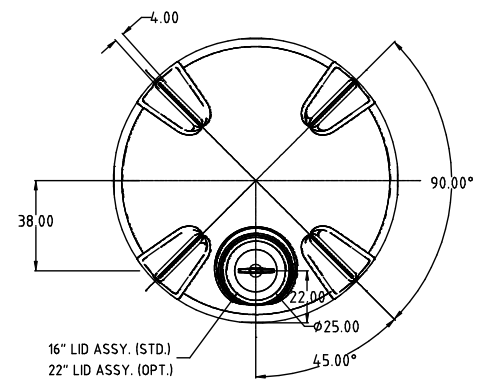


if it flows,
we go with it


1.800.665.4499
barrplastics.com

© DEN HARTOG INDUSTRIES, INC.
Copyright: All information furnished within this document, electronic file or design correspondence is the property of Den Hartog Industries, Inc. and shall not be used, disclosed to others or copied without the expressed written consent of Den Hartog Industries, Inc.

VT6500-120



C	CHANGED STANDARD FITTING FROM 2" TO 3"	3/31/10 DHJ	2013	DRAWN / DATE DHJ 8/27/08	MATERIAL 10538 2 MELT
B	1500 WAS 1400	REH 6/4/09	1875	APPRD. / DATE REH 3/20/09	
A	ADD THICKNESS AT FLAT	DHJ 5/7/09			
REV	DESCRIPTION	BY / DATE	CCN		
ALL DIMENSIONS ARE IN DECIMAL INCHES TOLERANCES UNLESS OTHERWISE SPECIFIED		THIRD ANGLE PROJECTION ANSI 14.5M		SHOT WEIGHT: 1500 LBS. (B)	NOTES: 1. WHITE, BLACK, OR YELLOW COLOR 2. 0.87 WALL @ FLAT (A)
POLYETHYLENE	METAL	SHIPPING WEIGHT: 1502 LBS.		FINISH:	
±1% @ 68° F	DECIMAL ± .125" FRACTION ± 1/4" ANGLE ± 1°				



Den Hartog
INDUSTRIES, INC.
Ace Roto-Mold Injection Molding Blow Molding Sowjoy
4010 HOSPERS DRIVE S. BOX 425, HOSPERS, IOWA 51238-0425

DESCRIPTION 6500 GALLON VERTICAL TANK	
SCALE N.S.	PART NO. VT6500-120