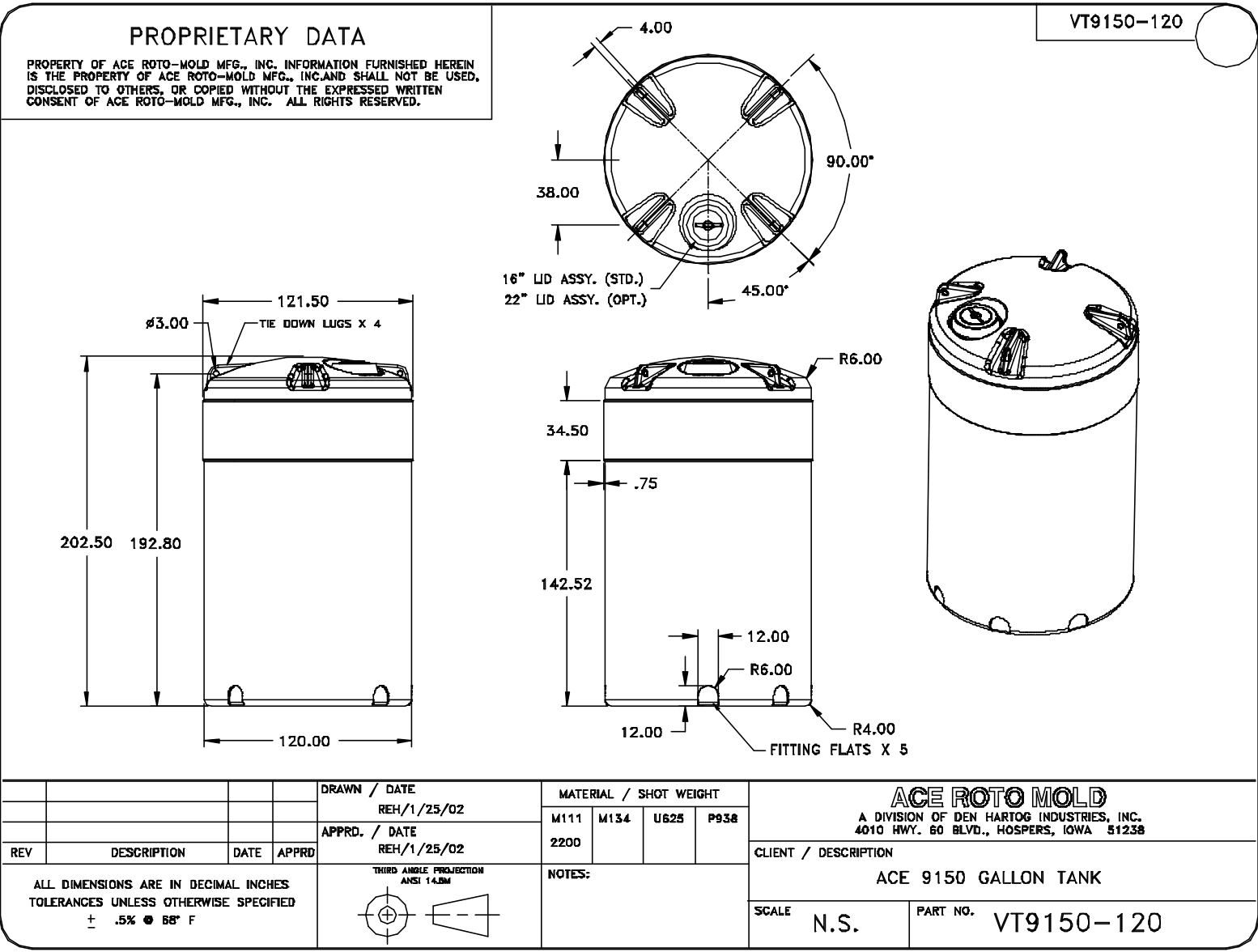




if it flows,
we go with it

1.800.665.4499
barrplastics.com



ALL DIMENSIONS ARE IN DECIMAL INCHES
TOLERANCES UNLESS OTHERWISE SPECIFIED
 $\pm .5\% @ 68^\circ F$

THIRD ANGLE PROJECTION
ANSI 14.8M

NOTES: