

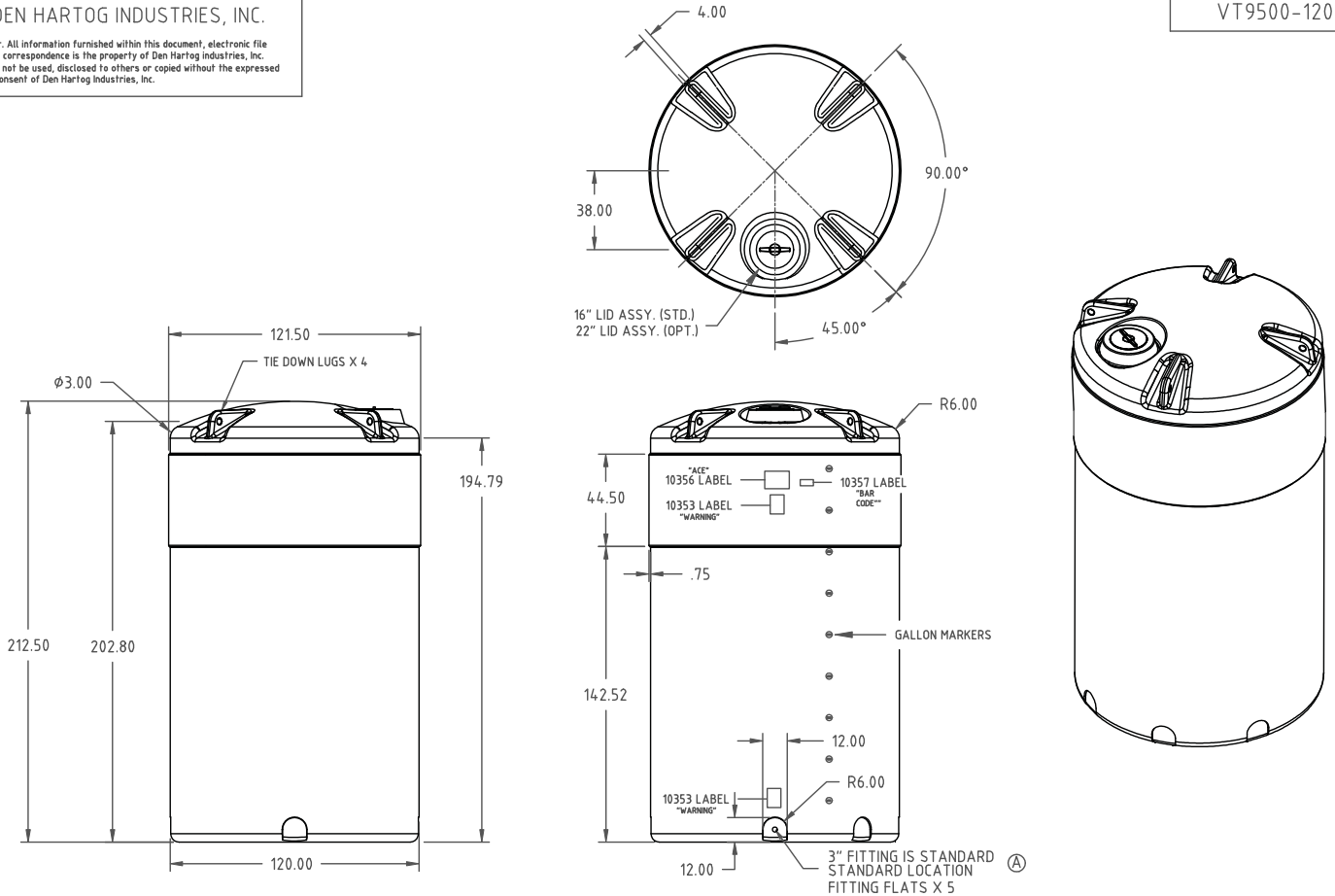


if it flows,  
we go with it

1.800.665.4499  
barrplastics.com

© DEN HARTOG INDUSTRIES, INC.  
Copyright. All information furnished within this document, electronic file or design correspondence is the property of Den Hartog Industries, Inc. and shall not be used, disclosed to others or copied without the expressed written consent of Den Hartog Industries, Inc.

VT9500-120 A



		DRAWN / DATE DHJ/8/1/09		MATERIAL 1.JHDPE OR EQUIVALENT		<p><b>Den Hartog</b> INDUSTRIES, INC. Ace Roto-Mold Injection Molding Blow Molding Saw-Jay 4010 HOSPERS DRIVE S. BOX 425, HOSPERS, IOWA 51238-0425</p>
A CHANGED STANDARD FITTING FROM 270 3"		DHJ 4/1/10 2013		APPRD. / DATE REH / 8/26/09		
REV	DESCRIPTION	BY / DATE	CCN	SHOT WEIGHT: 2350 LBS	NOTES: 1. 1.23 THICK AT FLAT	DESCRIPTION 9500 GALLON VERTICAL TANK SCALE N.S. PART NO. VT9500-120
ALL DIMENSIONS ARE IN DECIMAL INCHES TOLERANCES UNLESS OTHERWISE SPECIFIED POLYETHYLENE METAL ±1% @ 68° F DECIMAL ± .125" FRACTION ± 1/4" ANGLE ± 1°		THIRD ANGLE PROJECTION ANSI 14.5M		SHIPPING WEIGHT: 2352 LBS	FINISH:	