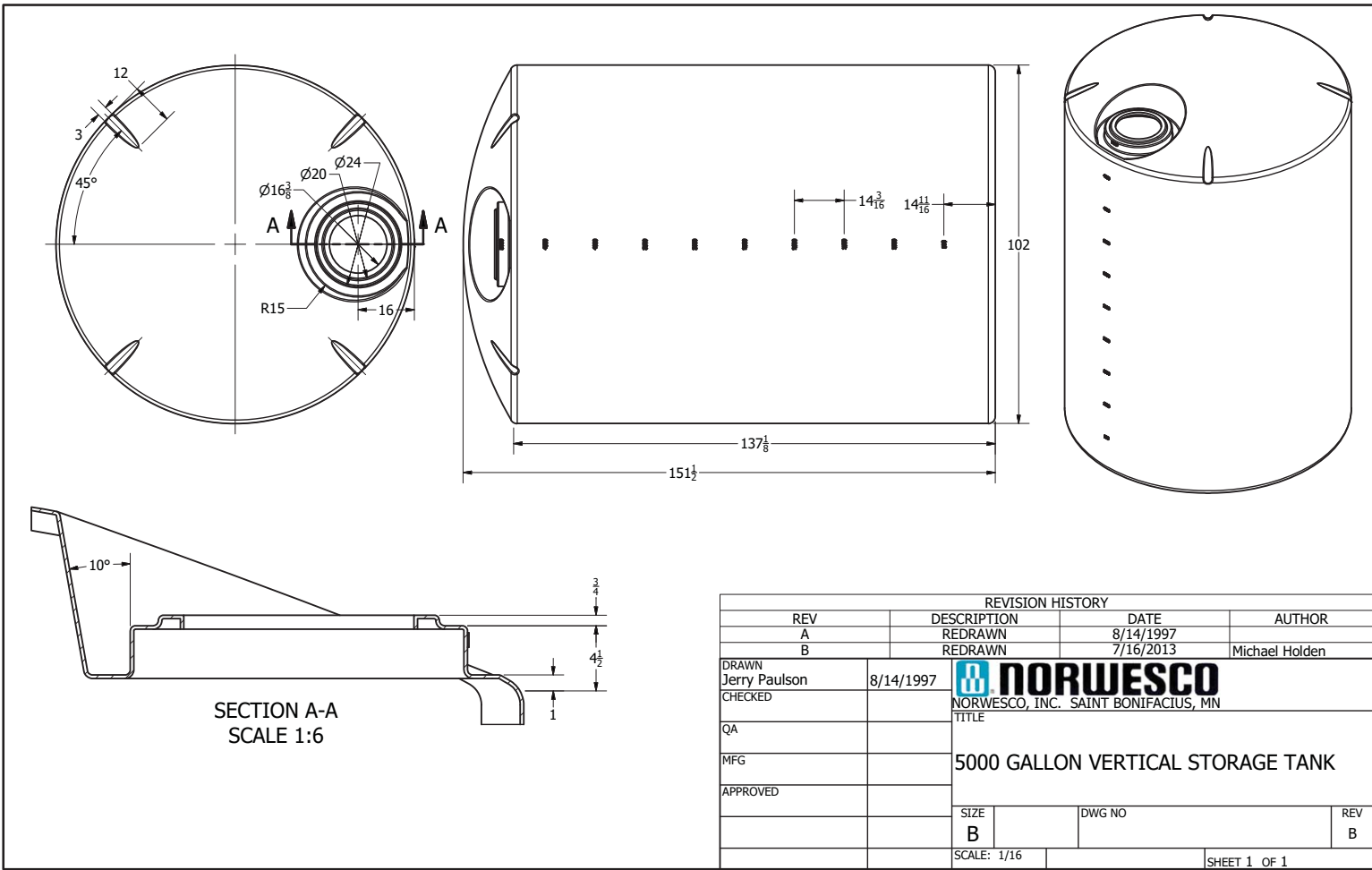




if it flows,  
we go with it

1.800.665.4499  
barrplastics.com



| REVISION HISTORY |             |           |                |
|------------------|-------------|-----------|----------------|
| REV              | DESCRIPTION | DATE      | AUTHOR         |
| A                | REDRAWN     | 8/14/1997 |                |
| B                | REDRAWN     | 7/16/2013 | Michael Holden |

|                        |           |   |          |
|------------------------|-----------|---|----------|
| DRAWN<br>Jerry Paulson | 8/14/1997 | <br>NORWESCO, INC. SAINT BONIFACIUS, MN |          |
| CHECKED                |           |   |          |
| QA                     |           |   |          |
| MFG                    |           |   |          |
| APPROVED               |           |   |          |
|                        | SIZE<br>B | DWG NO                                  | REV<br>B |
| SCALE: 1/16            |           | SHEET 1 OF 1                            |          |