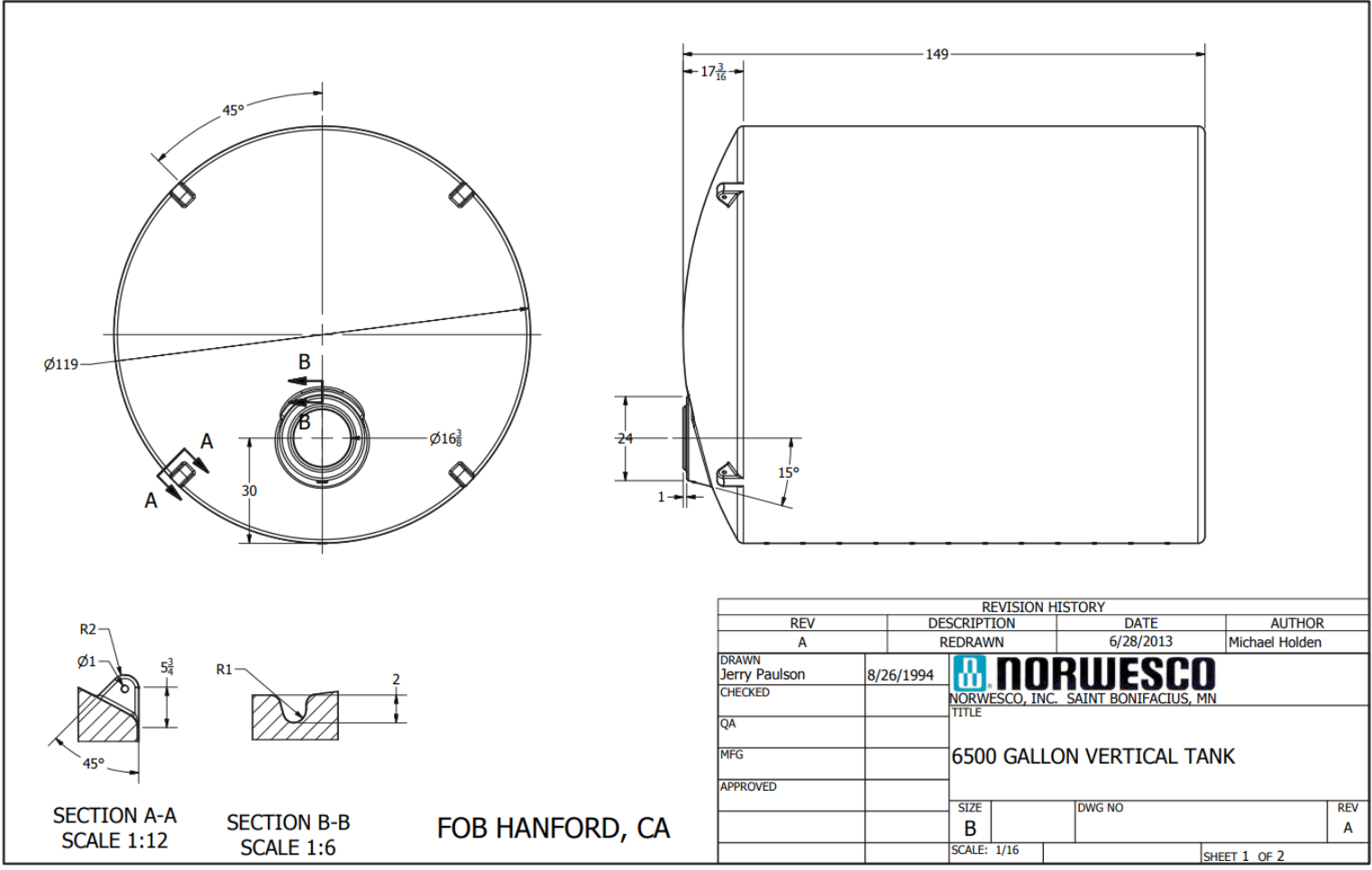




if it flows,
we go with it

1.800.665.4499
barrplastics.com



REVISION HISTORY			
REV	DESCRIPTION	DATE	AUTHOR
A	REDRAWN	6/28/2013	Michael Holden
DRAWN	Jerry Paulson	8/26/1994	 NORWESCO, INC. SAINT BONIFACIUS, MN TITLE 6500 GALLON VERTICAL TANK
CHECKED			
QA			
MFG			
APPROVED			
	SIZE	DWG NO	REV
	B		A
	SCALE: 1/16		SHEET 1 OF 2